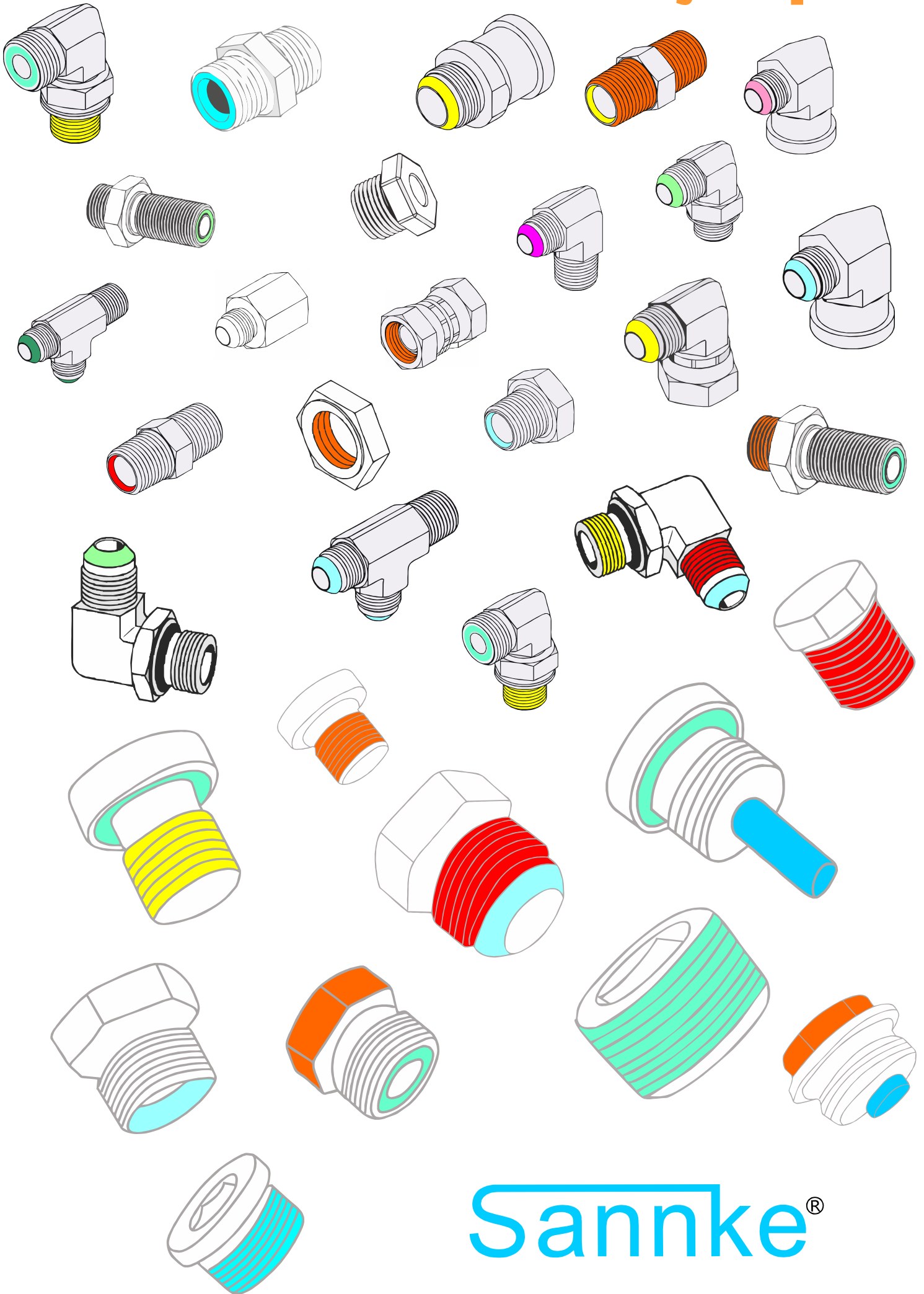


SAE Fitting Adapters



Sannke®

2010

Justin Ke
General Manager

向海底捞学服务，向宜家学车间5S
工厂向服务业看齐，全厂扁平化沟通



2012

Su Zhiming
Factory Manager

新一代的小工厂管理应该打破层级
更多数据说话，沟通权利高效扁平化



2013

Nancy Shen
Management representative

Embrace your life
for we only live once



2014

Yu Yunbo
Domestic Trade Sales Manager

急客户所急 想客户所想



2016

Bonnie Sheng
Foreign Trade Sales Manager

never do thing by halves



2016

Ying Meifang
Quality Team Leader

不放过 不漏过
对待产品就像认真生活



2017

Fan Fang
Purchasing Manager

货比三家的同时
保障供应商的长期利益，互利双赢



2019

Hu Minyuan
Production Manager

重复的事情认真做



2010

三柯成立
Sannke was established

2013

生产堵头
Sannke began to specialize
in making hydraulic plug

2016

通过ISO9001:2015
Approval ISO9001:2015

2016

宁波外贸部成立
Sannke was established

2016

三柯丈亭分厂成立
Sannke branch factory
in Zhangting was established

2019

三柯软管，硬管总成事业部成立
Sannke department of Hose and
Tube Assembly was established

2020

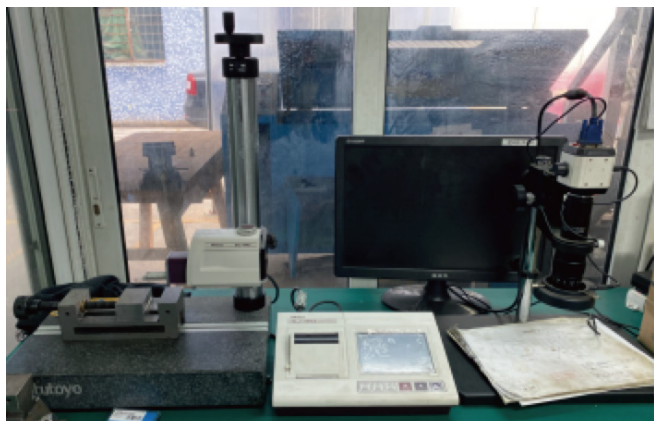
三柯舟山分厂成立
Sannke branch factory
in Zhoushan was established



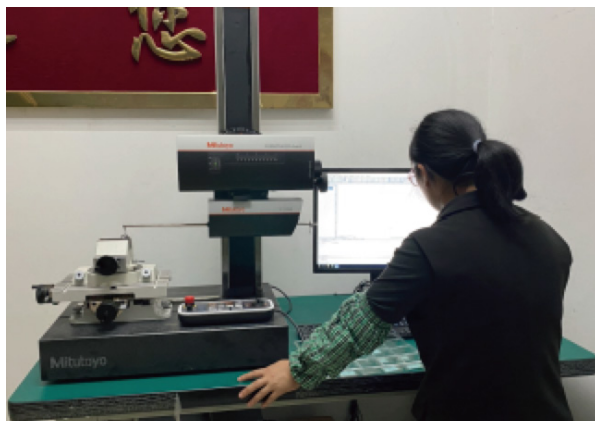
CCD视觉检测
CCD screening machine



螺纹检具
Thread Gauge



日本三丰粗糙度仪
Japan Mitutoyo roughmeter



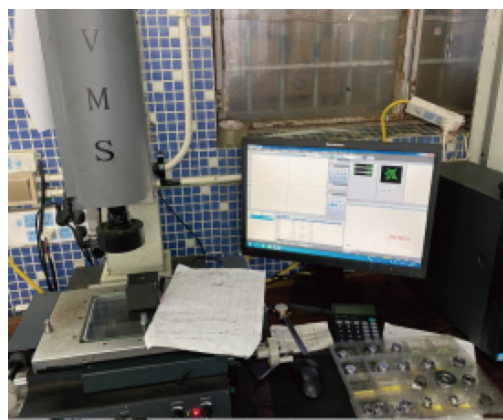
日本三丰轮廓仪
Japan Mitutoyo contourgraph



麦格斯威特压力测试机
Maxmator pressure
test machine



盐雾测试仪
Salt Spray Test Machine



雷尼绍影像测量仪
Renishaw vision
measuring machine

Pressure Rating, General Reference

Hydraulic Tube Fitting, Pressure Ratings

The hydraulic fittings represented in this catalog conform to the performance requirements specified in SAE J514, SAE J518, SAE J1231, SAE J1453, SAE J1926, ISO 11926 and related standards.

Table P1. Pressure Ratings for 37° Flared Tube Ends, 37° Female Swivels, O-Ring Port Plugs and Straight Thread Stud Ends (Inch)						
Nominal Tube Size		Thread Size (Notes 1&2)	Working Pressures			
Nom SAE Dash Size	Nom Inch Tube O.D	SAE J514 Flared Tube End and SAE J1926/3/ISO 11926-3 O-Ring Port Thread Size	37 Degree Flared Tube Ends, Unions And Bulkheads	37 Degree Female Swivels	SAE J514 (inch) Port Plugs and Stud Ends Per SAE J1926/3/ISO 11926-3	
					Port Plugs/non-Adjustable studs	Adjustable studs
			Mpa	Mpa	Mpa	Mpa
-2	1/8	5/16-24 UNF	34.5	34.5	34.5	34.5
-3	3/16	3/8-24 UNF	34.5	34.5	34.5	34.5
-4	1/4	7/16-20 UNF	34.5	31	34.5	31.5
-5	5/16	1/2-20 UNF	34.5	27.5	34.5	27.5
-6	3/8	9/16-18 UNF	34.5	27.5	34.5	27.5
-8	1/2	3/4-16 UNF	31	27.5	31	27.5
-10	5/8	7/8-14 UNF	24	21	24	21
-12	3/4	1-1/16-12 UN	24	21	24	21
-14	7/8	1-3/16-12 UN	21	17	21	17
-16	1	1-5/16-12 UN	21	17	21	17
-20	1 1/4	1-5/8-12 UN	17	14	17	14
-24	1 1/2	1-7/8-12 UN	14	10.5	14	10.5
-32	2	2-1/2-12 UN	10.5	8	10.5	8

1> Threads per SAE J475 Class 2A ext. Class 2B int. (Ref. ISO-263/ISO-R725)

2> Unified class 2B threads apply to swivel nuts and with minor diameter modified to class 3B

limits for locknuts

the process quality of sannke parts are assured by **KEYENCE** and **Mitutoyo**'s inspection machine.

Pressure Rating, General Reference

Table P2. Pressure Ratings for Fittings With NPTF Pipe Threads and Adapter Unions

Nominal Pipe Size		Threads Size		
Nom SAE Dash Size	Nom Inch Tube O.D	Dry seal Pipe Thread(NPTF1) Male and Female	Straight Pipe Thread(NPSM2) Female Swivels	Working Pressures
				Mpa
-2	1/8	1/8-27	1/8-27	34.5
-4	1/4	1/4-18	1/4-18	27.5
-6	3/8	3/8-18	3/8-18	21
-8	1/2	1/2-14	1/2-14	21
-12	3/4	3/4-14	3/4-14	17
-16	1	1-11-1/2	1-11-1/2	14
-20	1-1/4	1-1/4-11-1/2	1-1/4-11-1/2	8
-24	1-1/2	1-1/2-11-1/2	1-1/2-11-1/2	7
-32	2	2-11-1/2	2-11-1/2	7

the process quality of sannke parts are assured by **KEYENCE** and **Mitutoyo** 's inspection machine .

Sannke[®]



Pressure Rating, General Reference

Table P3. Pressure Ratings for ORFS Males Tube Ends, Female Swivels, and Straight Thread Stud Ends(Inch)						
Nominal Tube Size		Thread Size (Notes 1&2)		Working Pressures		
Nom SAE Dash Size	Nom Inch Tube O.D	SAE J1453 ORFS Tube End	SAE J1926/2/ISO 11926-2 O-Ring Port Thread Size	ORFS Tube Ends, Unions And Bulkheads	Heavy Duty Stud Ends Per SAE J1453, J1926/2/ISO 11926-2	
					Non-Adjustable Studs	Adjustable studs
				Mpa	Mpa(3)	Mpa(3)
-4	1/4	9/16-18 UNF	7/16-20UNF	41.3	63	40
-6	3/8	11/16-16 UN	9/16-18 UNF	41.3	63	40
-8	1/2	13/16-16 UN	3/4-16 UNF	41.3	63	40
-10	5/8	1-14 UNS	7/8-14 UNF	41.3	63	40
-12	3/4	1-3/16-12 UN	1-1/16-12 UN	41.3	40	40
-16	1	1-7/16-12 UN	1-5/16-12 UN	34.5	40	31.5
-20	1 1/4	1-11/16-12UN	1-5/8-12 UN	27.5	25	25
-24	1 1/2	2-12 UN	1-7/8-12 UN	20.7	25	20

1>Threads per SAE J475 Class 2A ext. Class 2B int. (Ref. ISO-263/ISO-R725)

2>Unified class 2B threads apply to swivel nuts and with minor diameter modified to class 3B limits for locknuts

3>Mpa ratings for J1926/2/ISO 11926-2 stud ends are rationalized values as published in those standards

the process quality of sannke parts are assured by **KEYENCE** and **Mitutoyo** 's inspection machine .

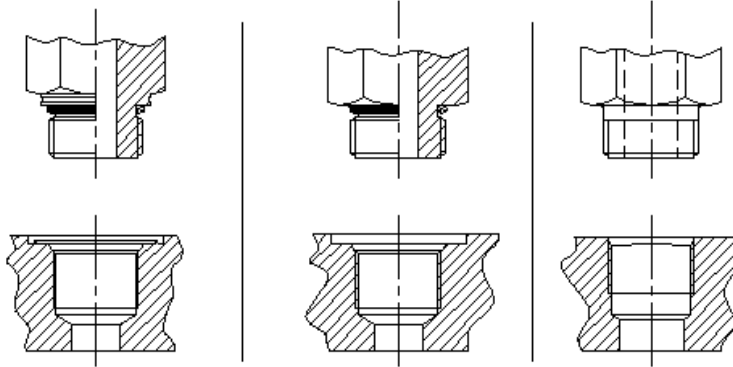
Sannke[®]



Pressure Rating, General Reference

SAE J1916/1 Port Detail (ISO 11926)

Thread, Conformance Specifications and Use



Port Description	British Standard pipe Parallel (BSPP) Flat Face Port	Metric Straight Thread Flat Face Port	Metric Straight Thread O-Ring Port	SAE Straight Thread o-Ring Port	NPTF-Dryseal American Standard Pipe
Thread Type	ISO 228-1 BS 2779	ISO 261 Metric Fine	ISO 261 Metric Fine	ISO 263 ANSI B 1.1. Unified	ANSI B 1.20.3
ISO NO.	1197***	9974***	6149	11926**	---
SAE NO.			J2244	J1926	J 476
DIN NO.	3852-2 Form X or Y	3852-1 Form X or Y	---	---	---

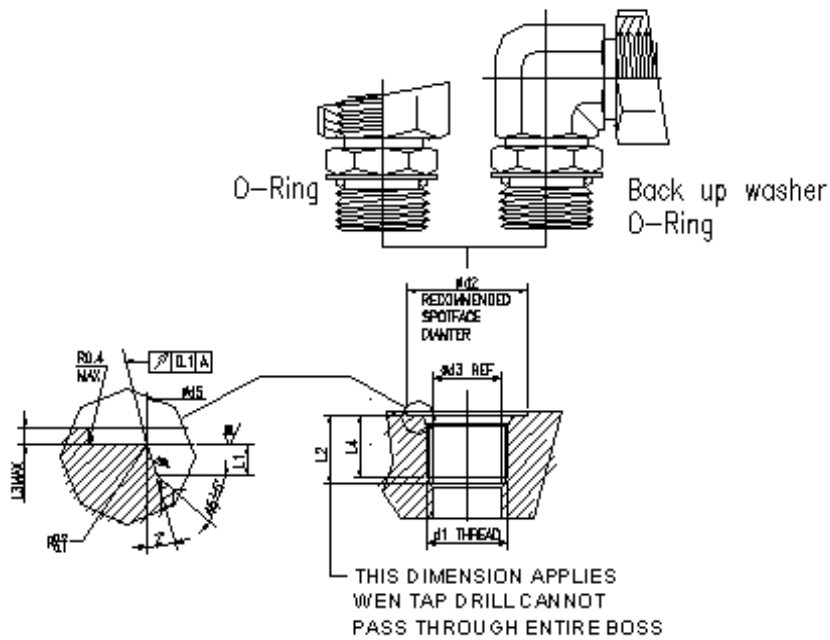
* O-Ring with retaining ring sealing is included in ISO 1179 Only

** To be published

*** Being revised

the process quality of sannke parts are assured by **KEYENCE** and **Mitutoyo** 's inspection machine .

Pressure Rating, General Reference



Thread size ANSI B1.1(ISO 263)	d2 dia.	d3 dia Min	D5 dia ±0.05	L1 ±0.2	L2 min	L3 Max	L4 Full Thread	Z ±1°	Assembly Torque
Int.	mm	mm	mm	mm	mm	mm	mm	deg	Nm
5/16-24UNF-2B	17	1.6	9.15	2.1	12	1.6	10	12	--
3/8-24UNF-2B	19	3.5	10.75	2.1	12	1.6	10	12	--
7/16-20UNF-2B	21	4.5	12.45	2.6	14	1.6	11.5	12	21
1/2-20UNF-2B	23	6	14.05	2.6	14	1.6	11.5	12	37
9/16-18UNF-2B	25	7.5	15.7	2.7	15.5	1.6	12.7	12	47
3/4-16UNF-2B	30	10	20.65	2.7	17.5	2.4	14.3	15	81
7/8-14UNF-2B	34	12.5	24	3.5	20	2.4	16.7	15	141
1-1/16-12UN-2B	41	16	29.2	3.5	23	2.4	19	15	189
1-3/16-12UN-2B	45	18	32.4	3.5	23	2.4	19	15	--
1-5/16-12UN-2B	49	21	35.55	3.5	23	3.2	19	15	284
1-5/8-12UN-2B	58	27	43.55	3.5	23	3.2	19	15	347
1-7/8-12UN-2B	65	33	49.9	3.5	23	3.2	19	15	425
2-1/2-12UN-2B	88	45	65.75	3.5	23	3.2	19	15	--

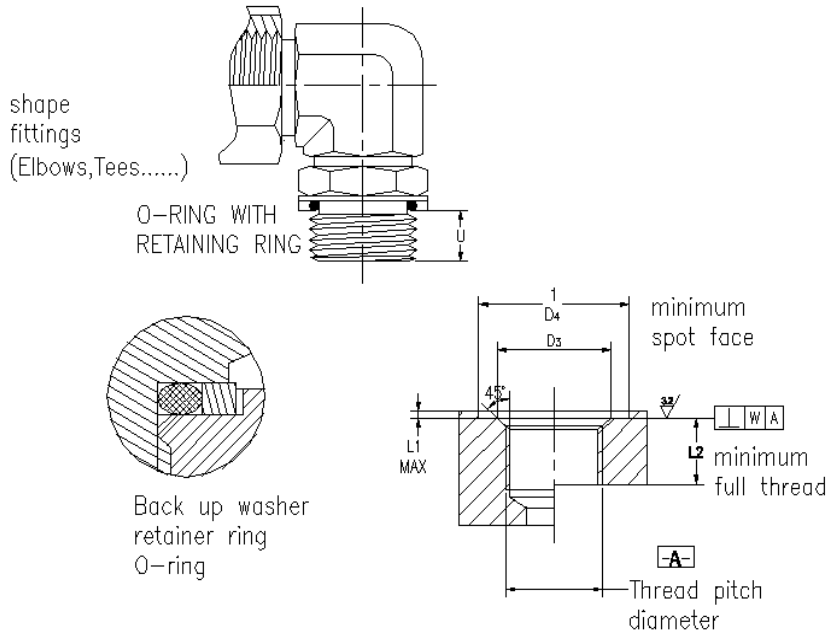
the process quality of sannke parts are assured by **KEYENCE** and **Mitutoyo** 's inspection machine .

Pressure Rating, General Reference

BSPP Threads

BSPP Threads have a thread angle of 55° and are widely used in hydraulic applications. The spot face surface must be square to the pitch diameter and free from longitudinal and spiral tool marks.

BSPP-British Standard pipe Parallel threads are used for fittings where pressure-tight joints are not made on the thread, i.e. a peripheral seal is used.



Thread Size (ISO 28-1)	Thread per inch	Pitch	D3	D4 min		L1 max	L2 max	Assembly Torque min	Assembly Torque max
				Elastic Type "E.D"	O-Ring+ retaining ring type				
		mm	mm			mm	mm	Nm	Nm
G1/8	28	0.91	9.9	15	17.2	1.0	8	20	25
G1/4	19	1.34	13.3	20	20.7	1.5	12	50	5
G3/8	19	1.34	16.8	23	24.5	2.0	12	80	90
G1/2	14	1.81	21.1	28	29.5	2.5	14	100	100
G3/4	14	1.81	26.6	33	36.9	2.5	16	200	220
G1	11	2.31	33.5	41	46.1	2.5	18	380	420
G1-1/4	11	2.31	42.2	51	54.0	2.5	20	500	550
G1-1/2	11	2.31	48.1	56	60.5	2.5	20	600	660

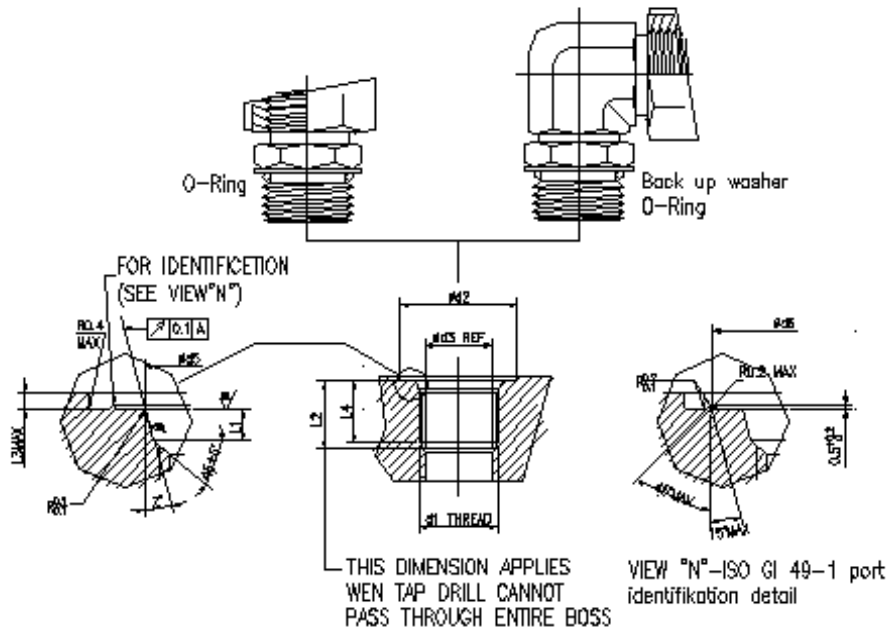
the process quality of sannke parts are assured by **KEYENCE** and **Mitutoyo**'s inspection machine.

Sannke®

TÜVRheinland
ISO 9001:2015

Pressure Rating, General Reference

ISO 6149 Port Detail (SAE 2244-1)



Thread Size d1	d2		d5 +0.1 0	d6 +0.5 0	L1 +0.4 0	L2 min	L3 max	L4 min full thread	Z ±1°	Assembly Torque
	max	min								Nm
M8×1.0	17	14	9.1	14	1.6	11.5	1.5	10.0	12	10
M10×1.0	20	16	11.1	16	1.6	11.5	1.0	10.0	12	20
M12×1.5	23	19	13.8	19	2.4	14.0	1.5	11.5	15	35
M14×1.5	25	21	15.8	21	2.4	14.0	1.5	11.5	15	45
M16×1.5	28	24	17.8	24	2.4	15.5	1.5	13.0	15	55
M18×1.5	30	26	19.8	26	2.4	17.0	2.0	14.5	15	70
M22×1.5	34	29	23.8	29	2.4	18.0	2.0	15.5	15	100
M27×2.0	40	34	29.4	34	3.1	22.0	2.0	19.0	15	170
M30×2.0	43	38	32.4	38	3.1	22.0	2.0	19.0	15	215
M33×2.0	49	43	35.4	43	3.1	22.0	2.5	19.0	15	310
M42×2.0	60	52	44.4	52	3.1	22.5	2.5	19.5	15	330
M48×2.0	66	57	50.4	57	3.1	25.0	2.5	22.0	15	420
M60×2.0	76	67	62.4	67	3.1	27.5	2.5	24.5	15	--

the process quality of sannke parts are assured by **KEYENCE** and **Mitutoyo**'s inspection machine.

Sannke[®]

TÜVRheinland[®]
ISO9001:2015

Pressure Rating, General Reference

1. Assembly instructions for 37 Degree Face Seal Fittings and Adapters

Table A1		Assembly Torque, 37 Degree Tube Fitting ¹	
Tube Size	Thread Size	37° Tube/Swivel Nu	
		Nm	
-2	5/16-24	8--9	
-3	3/8-24	11--12	
-4	7/16-20	15--16	
-5	1/2-20	19--21	
-6	9/16-18	24--28	
-8	3/4-16	49--53	
-10	7/8-14	77--85	
-12	1-1/16-12	107--119	
-14	1-3/16-12	127--140	
-16	1-5/16-12	147--154	
-20	1-5/8-12	172--181	
-24	1-7/8-12	215--226	
-32	2-1/2-12	332--350	

the process quality of sannke parts are assured by **KEYENCE** and **Mitutoyo**'s inspection machine .

Sannke[®]



Pressure Rating, General Reference

2. Assembly instructions for Adjustable O-Ring Port Fittings

Table A2 Assembly Torque, SAE 1926-3 Light Duty Stud ends (Ref SAE J514 Tube Fitting And Port Plugs)¹¹

Tube Size	Thread Size	Nm
-2	5/16-24	8--9
-3	3/8-24	11--12
-4	7/16-20	18--20
-5	1/2-20	23--26
-6	9/16-18	29--33
-8	3/4-16	49--53
-10	7/8-14	59--64
-12	1-1/16-12	93--102
-14	1-3/16-12	122-134
-16	1-5/16-12	151--166
-20	1-5/8-12	198--218
-24	1-7/8-12	209--231
-32	2-1/2-12	296--325

Table A3 Assembly Torque, SAE 1926-2 Heavy Duty Stud ends (Ref SAE J1453 ORFS Fitting)¹

Tube Size	Thread Size	Nm
-3	3/8-24	11--13
-4	7/16-20	20-22
-5	1/2-20	24--27
-6	9/16-18	33--35
-8	3/4-16	68--78
-10	7/8-14	98-110
-12	1-1/16-12	170--183
-14	1-3/16-12	230--260
-16	1-5/16-12	270--300
-20	1-5/8-12	285--380
-24	1-7/8-12	370-490

the process quality of sannke parts are assured by **KEYENCE** and **Mitutoyo**'s inspection machine.

Sannke[®]



Pressure Rating, General Reference

3. Assembly inspections for NPTF Pipe Threads

Table A4 Assembly Torque, Adapter Unions and Pipe Fittings (T.F.F.T. for Tapered pipe Only) ¹					
Pipe Size	Adapter Unions		Pipe		
	Ft. Lbs Max	Nm. Max	Ft. Lbs Max	Nm. Max	Tapered pipe T.F.F.T. ² (Tums)
1/8	1/8-27	18	12	16	3/4--1-3/4
1/4	1/4-18	27	25	34	3/4--1-3/4
3/8	3/8-18	34	40	54	3/4--1-3/4
1/2	1/2-14	64	54	73	1/2--1-1/2
3/4	3/4-14	114	78	106	1/2--1-1/2
1	1-11-1/2	175	112	152	1/2--1-1/2
1-1/4	1-1/4-11-1/2	206	154	209	1/2--1-1/2
1-1/2	1-1/2-11-1/2	206	211	286	1/2--1-1/2
2	2-11-1/2	407	300	407	1/2--1-1/2

4. Assembly instructions for O-Ring Face Seal Fittings and Adapters

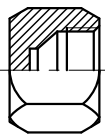

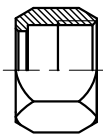
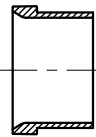
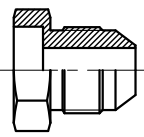
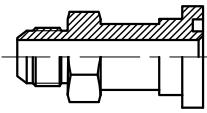
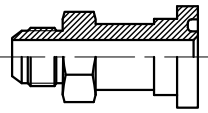
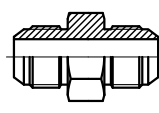
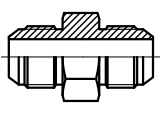
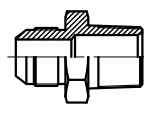
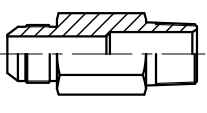
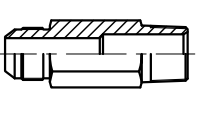
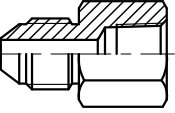
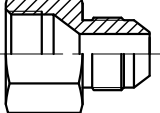
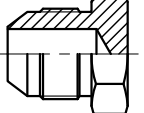
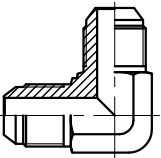
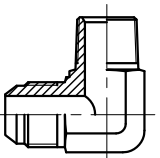
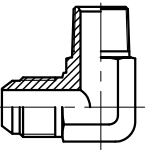
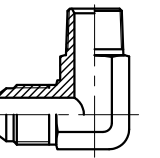
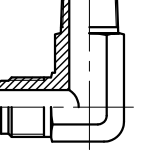
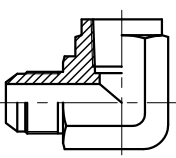
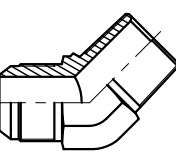
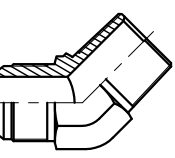
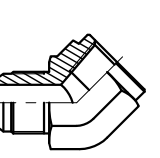
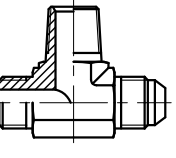
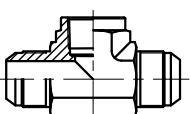
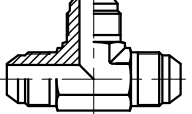
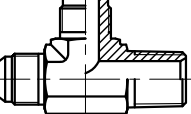
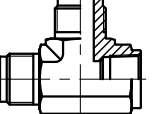
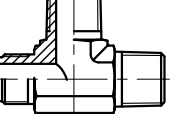
Table A5 Assembly Torque, O-Ring Face Seal Fittings ¹		
Tube Size	Thread Size	Nm
-4	9/16-18	14-16
-6	11/16-16	24--27
-8	13/16-16	43--47
-10	1-14	60--68
-12	1-3/16-12	90--95
-14	1-3/16-12	90--95
-16	1-7/16-12	125--135
-20	1-11/16-12	170--190
-24	2-12	200-225

the process quality of sannke parts are assured by **KEYENCE** and **Mitutoyo**'s inspection machine.

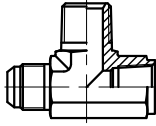
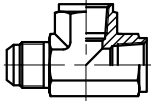
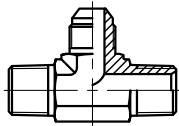
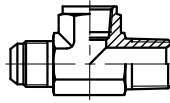
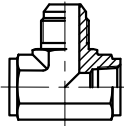
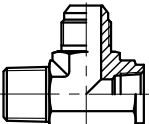
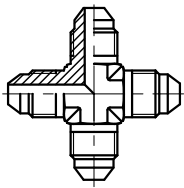
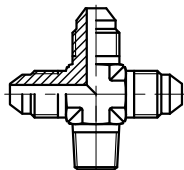
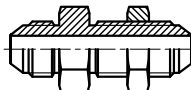
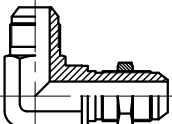
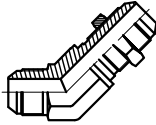
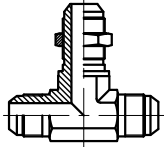
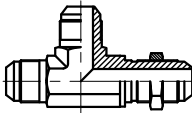
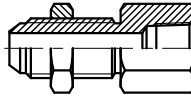
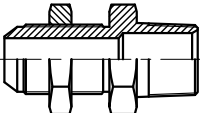
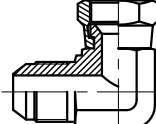
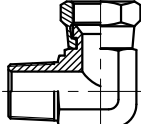
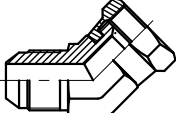
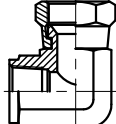
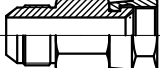
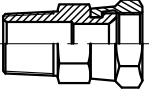
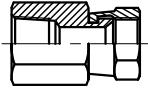
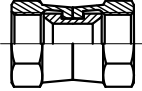
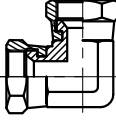
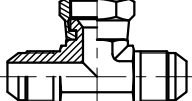
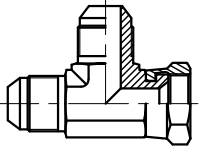
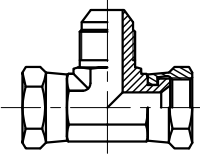
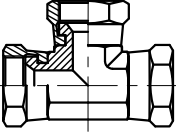
Sannke[®]



37°TUBE FITTINGS PRODUCT INDX

(070112)  0304 CAP NUT P1	(070112)  0306-LN BULKHEAD LOCK NUP P2	(070110)  0318 TUBE NUT P3	(070115)  0319 TUBE SLEEVE P4	 0403 (1) BORE (2) 37° MALE TUBE P5
 1700-61 (1) 37° MALE TUBE (2) O-RING FLANGE P6	 1700-62 (1) 37° MALE TUBE (2) O-RING FLANGE P7	(070101)  2403 (1) 37° MALE TUBE (2) 37° MALE TUBE P8	(070119)  2403-LH(LARGE HEX) (1) 37° MALE TUBE (2) 37° MALE TUBE P9	(070102)  2404 (1) 37° MALE TUBE (2) MALE PIPE P10
 2404-L (1) 37° MALE TUBE (2) MALE PIPE-LONG P12	 2404-LL (1) 37° MALE TUBE (2) MALE PIPE-X-LONG P13	(070103)  2405 (1) 37° MALE TUBE (2) FEMALE PIPE P14	 2406 (1) 37° FEMALE (2) 37° MALE TUBE P16	(070109)  2408 (1) MALE TUBE PLUG P18
(070201)  2500 (1)、(2) 37° MALE TUBE P19	(070202)  2501 (1) 37° MALE TUBE (2) MALE PIPE P20	(071502)  2501-L (1) 37° MALE TUBE (2) MALE PIPE-LONG P22	(071602)  2501-LL (1) 37° MALE TUBE (2) MALE PIPE-X-LONG P23	 2501-LLL (1) 37° MALE TUBE (2) MALE PIPE-XXX-LONG P24
(070203)  2502 (1) 37° MALE TUBE (2) FEMALE PIPE P25	(070302)  2503 (1) 37° MALE TUBE (2) MALE PIPE P26	 2504 (1) 37° MALE TUBE (2) 37° MALE TUBE P27	 2505 (1) 37° MALE TUBE (2) FEMALE PIPE P28	(070425)  2601 (1)、(2) 37° MALE TUBE (3) MALE PIPE P29
(070427)  2602 (1)、(2) 37° MALE TUBE (3) FEMALE PIPE P30	(070401)  2603 (1),(2),(3) 37° MALE TUBE P31	(070424)  2605 (1)、(3) 37° MALE TUBE (2) MALE PIPE P32	(070424)  2606 (1)、(3) 37° MALE TUBE (2) FEMALE PIPE P33	 2607 (1) 37° MALE TUBE (2)、(3) MALE PIPE P34

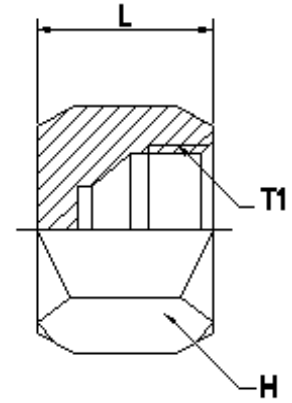
37°TUBE FITTINGS PRODUCT INDX

 <p>2608 (1) 37° MALE TUBE (2) FEMALE PIPE (3) MALE PIPE</p> <p style="text-align: right;">P35</p>	 <p>2609 (1) 37° MALE TUBE (2)、(3) FEMALE PIPE</p> <p style="text-align: right;">P36</p>	 <p>2610 (1)、(2) MALE PIPE (3) 37° MALE TUBE</p> <p style="text-align: right;">P37</p>	 <p>2611 (1) 37° MALE TUBE (2) MALE PIPE (3) FEMALE PIPE</p> <p style="text-align: right;">P38</p>	 <p>2612 (1)、(2) FEMALE PIPE (3) 37° MALE TUBE</p> <p style="text-align: right;">P39</p>
 <p>2613 (1) MALE PIPE (2) FEMALE PIPE (3) 37° MALE TUBE</p> <p style="text-align: right;">P40</p>	 <p>2650 (1)~(4) 37° MALE TUBE</p> <p style="text-align: right;">P41</p>	 <p>2651 (1)~(3) 37° MALE TUBE (4) MALE PIPE</p> <p style="text-align: right;">P42</p>	<p style="text-align: center;">(070601)</p>  <p>2700-LN (1) 37° MALE TUBE (2) BULKHEAD</p> <p style="text-align: right;">P43</p>	<p style="text-align: center;">(070701)</p>  <p>2701-LN (1) 37° MALE TUBE (2) BULKHEAD</p> <p style="text-align: right;">P44</p>
<p style="text-align: center;">(070801)</p>  <p>2702-LN (1) 37° MALE TUBE (2) BULKHEAD</p> <p style="text-align: right;">P45</p>	 <p>2703-LN (1)&(2) 37° MALE TUBE (3) BULKHEAD</p> <p style="text-align: right;">P46</p>	<p style="text-align: center;">(070958)</p>  <p>2704-LN (1)&(3) 37° MALE TUBE (2) BULKHEAD</p> <p style="text-align: right;">P47</p>	 <p>2705-LN (1) BULKHEAD (2) FEMALE PIPE</p> <p style="text-align: right;">P48</p>	 <p>2706-LN (1) BULKHEAD (2) MALE PIPE</p> <p style="text-align: right;">P49</p>
<p style="text-align: center;">(070221)</p>  <p>6500 (1) 37° MALE TUBE (2) 37° FEMALE SWIVEL</p> <p style="text-align: right;">P50</p>	 <p>6501 (1) 37° FEMALE SWIVEL (2) MALE PIPE</p> <p style="text-align: right;">P51</p>	<p style="text-align: center;">(070321)</p>  <p>6502 (1) 37° MALE TUBE (2) 37° FEMALE SWIVEL</p> <p style="text-align: right;">P52</p>	 <p>6503 (1) FEMALE PIPE (2) 37° FEMALE SWIVEL</p> <p style="text-align: right;">P53</p>	 <p>6504 (1) 37° MALE TUBE (2) 37° FEMALE SWIVEL</p> <p style="text-align: right;">P54</p>
 <p>6505 (1) MALE PIPE (2) 37° FEMALE SWIVEL</p> <p style="text-align: right;">P55</p>	 <p>6506 (1) 37° FEMALE SWIVEL (2) FEMALE PIPE</p> <p style="text-align: right;">P56</p>	 <p>6565 (1) 37° FEMALE SWIVEL (2) 37° FEMALE SWIVEL</p> <p style="text-align: right;">P57</p>	 <p>6566 (1)&(3) 37° FEMALE SWIVEL</p> <p style="text-align: right;">P58</p>	<p style="text-align: center;">(070433)</p>  <p>6600 (1)&(2) 37° MALE TUBE (3) 37° FEMALE SWIVEL</p> <p style="text-align: right;">P59</p>
<p style="text-align: center;">(070432)</p>  <p>6602 (1)&(2) 37° MALE TUBE (3) 37° FEMALE SWIVEL</p> <p style="text-align: right;">P60</p>	 <p>6603 (1)&(2) 37° FEMALE SWIVEL (3) 37° MALE TUBE</p> <p style="text-align: right;">P61</p>	 <p>6606 (1)~(3) 37° FEMALE SWIVEL</p> <p style="text-align: right;">P62</p>		

Fittings & Adapters

0304 SERIES
CAP NUT

SAE# 070112



PART NUMBER	T1(UNF/UN-2B)	L	H(INCH)
0304-C-02	5/16-24	12.7	3/8
0304-C-03	3/8-24	14.3	7/16
0304-C-04	7/16-20	15.1	9/16
0304-C-05	1/2-20	15.5	5/8
0304-C-06	9/16-18	15.9	11/16
0304-C-08	3/4-16	19.0	7/8
0304-C-10	7/8-14	21.4	1
0304-C-12	1-1/16-12	23.0	1-1/4
0304-C-14	1-3/16-12	24.6	1-3/8
0304-C-16	1-5/16-12	25.8	1-1/2
0304-C-20	1-5/8-12	27.0	2
0304-C-24	1-7/8-12	30.2	2-1/4
0304-C-32	2-1/2-12	36.5	2-7/8

the process quality of sannke parts are assured by **KEYENCE** and **Mitutoyo** 's inspection machine .

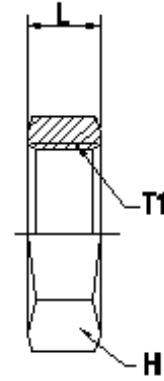
Sannke[®]



Fittings & Adapters

0306-LN SERIES
BULKHEAD LOCK NUT

SAE# 070118



PART NUMBER	T1(UNF/UN-2B)	L	H(INCH)
0306-02	5/16-24	5.6	9/16
0306-03	3/8-24	5.6	5/8
0306-04	7/16-20	6.4	11/16
0306-05	1/2-20	7.1	3/4
0306-06	9/16-18	6.9	13/16
0306-08	3/4-16	7.9	1
0306-10	7/8-14	9.1	1-1/8
0306-12	1-1/16-12	10.4	1-3/8
0306-14	1-3/16-12	10.4	1-1/2
0306-16	1-5/16-12	10.4	1-5/8
0306-20	1-5/8-12	10.4	1-7/8
0306-24	1-7/8-12	10.4	2-1/8
0306-32	2-1/2-12	10.4	2-3/4

the process quality of sannke parts are assured by **KEYENCE** and **Mitutoyo** 's inspection machine .

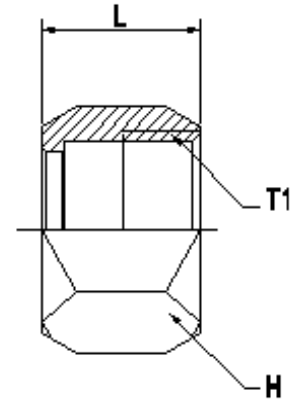
Sannke[®]



Fittings & Adapters

0318 SERIES
TUBE NUT

SAE# 070110



PART NUMBER	T1(UNF/UN-2B)	L	H(INCH)
0318-02	5/16-24	14	3/8
0318-03	3/8-24	15.5	7/16
0318-04	7/16-20	15.8	9/16
0318-05	1/2-20	17.3	5/8
0318-06	9/16-18	18.5	11/16
0318-08	3/4-16	21.6	7/8
0318-10	7/8-14	24.9	1
0318-12	1-1/16-12	26.2	1-1/4
0318-14	1-3/16-12	27.7	1-3/8
0318-16	1-5/16-12	28.7	1-1/2
0318-20	1-5/8-12	31.2	2
0318-24	1-7/8-12	36.1	2-1/4
0318-32	2-1/2-12	44.5	2-7/8

the process quality of sannke parts are assured by **KEYENCE** and **Mitutoyo** 's inspection machine .

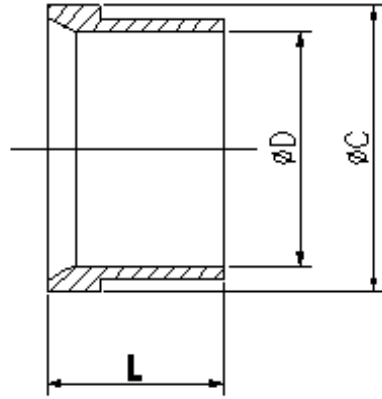
Sannke[®]



Fittings & Adapters

0319 SERIES
TUBE SLEEVE

SAE# 070115



PART NUMBER	C	D	L
0319-02	6.8	3.3	8.6
0319-03	8.4	4.9	8.6
0319-04	9.7	6.5	10.4
0319-05	11.3	8.1	11.2
0319-06	12.8	9.7	12.7
0319-08	17.3	12.8	14.2
0319-10	20.2	16.0	16.8
0319-12	24.7	19.2	17.3
0319-14	27.9	22.4	19.3
0319-16	31.0	25.6	19.8
0319-20	39.0	32.0	23.1
0319-24	45.3	38.4	28.4
0319-32	61.2	51.2	30.2

the process quality of sannke parts are assured by **KEYENCE** and **Mitutoyo** 's inspection machine .

Sannke[®]



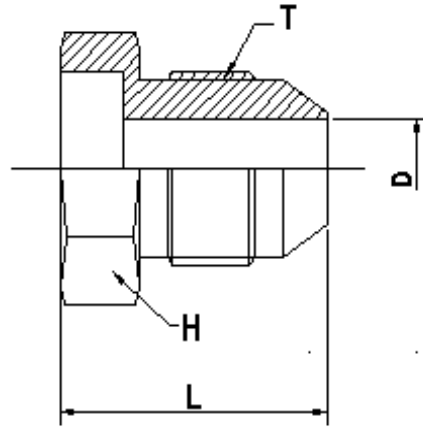
Fittings & Adapters

0403 SERIES(BRAZE TUBE UNION)

(1) BORE

(2) 37° MALE TUBE

SAE#



PART NUMBER	D	T	L	H (INCH)
0403-04-04	4.4	7/16-20	20.3	1/2
0403-05-05	5.9	1/2-20	20.3	9/16
0403-06-08	9.6	3/4-16	23.9	13/16
0403-12-08	9.9	3/4-16	24.9	15/16
0403-12-10	12.3	7/8 -14	27.9	15/16
0403-14-14	18.3	1-1/16-12	33.3	1-1/4
0403-16-12	15.5	1-1/16-12	32.5	1-1/4
0403-20-16	21.4	1-5/16-12	33.8	1-3/8
0403-20-20	27.4	1-5/8-12	36.8	1-11/16
0403-24-20	27.4	1-5/8-12	36.8	1-11/16
0403-24-24	33.3	1-7/8-12	41.9	2
0403-32-32	45.2	2-1/2-12	52.0	2-5/8

the process quality of sannke parts are assured by **KEYENCE** and **Mitutoyo** 's inspection machine .

Sannke[®]



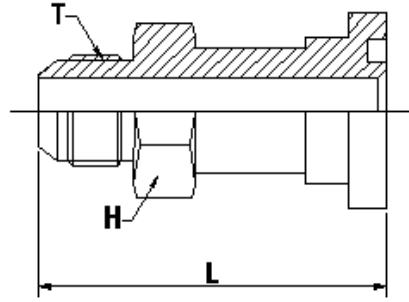
Fittings & Adapters

1700-61 SERIES(CODE 61 FLANGE ADAPTER)

(1)37° MALE TUBE

(1)O-RING FLANGE

SAE#



PART NUMBER	T1(UNF/UN-2A)	L	H(INCH)
1700-61-08-08	3/4-16	59.9	13/16
1700-61-08-12	3/4-16	58.7	13/16
1700-61-12-12	1-1/16-12	66.8	1-1/8
1700-61-12-16	1-1/16-12	66.3	1-1/8
1700-61-12-20	1-1/16-12	66.8	1-1/8
1700-61-12-24	1-1/16-12	67.8	1-1/8
1700-61-16-12	1-5/16-12	67.6	1-3/8
1700-61-16-16	1-5/16-12	67.6	1-3/8
1700-61-16-20	1-5/16-12	67.6	1-3/8
1700-61-16-24	1-5/16-12	66.8	1-3/8
1700-61-20-16	1-5/8-12	70.6	1-11/16
1700-61-20-20	1-5/8-12	68.8	1-11/16
1700-61-20-24	1-5/8-12	71.4	1-11/16
1700-61-20-32	1-5/8-12	80.3	1-11/16
1700-61-24-20	1-7/8-12	76.0	2
1700-61-24-24	1-7/8-12	76.7	2
1700-61-24-32	1-7/8-12	77.0	2
1700-61-32-24	2-1/2-12	85.1	2-5/8
1700-61-32-32	2-1/2-12	87.6	2-5/8

the process quality of sannke parts are assured by **KEYENCE** and **Mitutoyo** 's inspection machine .

Sannke[®]



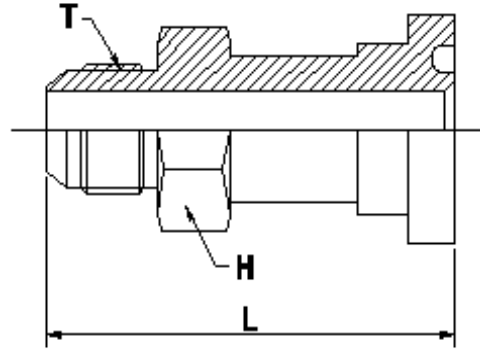
Fittings & Adapters

1700-62 SERIES(CODE 62 FLANGE ADAPTER)

(1)37° MALE TUBE

(1)O-RING FLANGE

SAE#



PART NUMBER	T(UNF/UN-2A)	L	H(INCH)
1700-62-08-08	3/4-16	59.9	7/8
1700-62-12-12	1-1/16-12	80.5	1-1/8
1700-62-12-16	1-1/16-12	73.4	1-1/8
1700-62-16-12	1-5/16-12	99.8	1-3/8
1700-62-16-16	1-5/16-12	95.5	1-3/8
1700-62-16-20	1-5/16-12	104.4	1-3/8
1700-62-16-24	1-5/16-12	95.5	1-3/8
1700-62-20-16	1-5/8-12	105.2	1-11/16
1700-62-20-20	1-5/8-12	97.5	1-11/16
1700-62-20-24	1-5/8-12	97.5	1-3/4
1700-62-24-20	1-7/8-12	82.0	2
1700-62-24-24	1-7/8-12	118.6	2
1700-62-32-32	2-1/2-12	169.9	2-5/8

the process quality of sannke parts are assured by **KEYENCE** and **Mitutoyo** 's inspection machine .

Sannke®



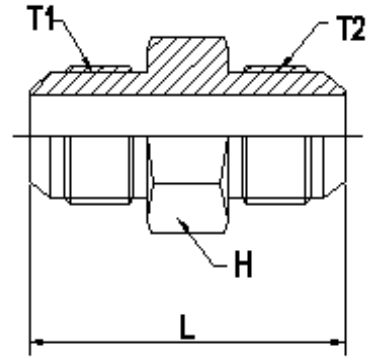
Fittings & Adapters

2403 SERIES

(1) 37° MALE TUBE

(2) 37° MALE TUBE

SAE# 070101



PART NUMBER	T1(UNF/UN-2A)	T2(UNF/UN-2A)	L	H (INCH)
2403-02-02	5/16-24	5/16-24	29.7	7/16
2403-03-02	3/8-24	5/16-24	30.5	7/16
2403-03-03	3/8-24	3/8-24	31.2	7/16
2403-04-02	7/16-20	5/16-24	32.3	1/2
2403-04-03	7/16-20	3/8-24	33.0	1/2
2403-04-04	7/16-20	7/16-20	34.8	1/2
2403-05-04	1/2-20	7/16-20	34.8	9/16
2403-05-05	1/2-20	1/2-20	34.8	9/16
2403-06-04	9/16-18	7/16-20	35.6	5/8
2403-06-05	9/16-18	1/2-20	35.6	5/8
2403-06-06	9/16-18	9/16-18	35.8	5/8
2403-08-04	3/4-16	7/16-20	38.4	13/16
2403-08-05	3/4-16	1/2-20	38.5	13/16
2403-08-06	3/4-16	9/16-18	38.6	13/16
2403-08-08	3/4-16	3/4-16	41.2	13/16
2403-10-04	7/8-14	7/16-20	42.4	15/16
2403-10-05	7/8-14	1/2-20	42.4	15/16
2403-10-06	7/8-14	9/16-18	42.7	15/16
2403-10-08	7/8-14	3/4-16	45.2	15/16
2403-10-10	7/8-14	7/8-14	47.8	15/16
2403-12-04	1-1/16-12	7/16-20	47.0	1-1/8
2403-12-06	1-1/16-12	9/16-18	47.0	1-1/8
2403-12-08	1-1/16-12	3/4-16	49.5	1-1/8
2403-12-12	1-1/16-12	1-1/16-12	54.9	1-1/8
2403-14-14	1-3/16-12	1-3/16-12	56.1	1-1/4
2403-16-08	1-5/16-12	3/4-16	50.8	1-3/8
2403-16-10	1-5/16-12	7/8-14	53.4	1-3/8
2403-16-12	1-5/16-12	1-1/16-12	56.0	1-3/8
2403-16-16	1-5/16-12	1-5/16-12	57.2	1-3/8
2403-20-12	1-5/8-12	1-1/16-12	59.4	1-11/16
2403-20-16	1-5/8-12	1-5/16-12	60.5	1-11/16
2403-20-20	1-5/8-12	1-5/8-12	61.7	1-11/16
2403-24-16	1-7/8-12	1-5/16-12	65.4	2
2403-24-20	1-7/8-12	1-5/8-12	65.7	2
2403-24-24	1-7/8-12	1-7/8-12	69.8	2
2403-32-16	2-1/2-12	1-5/16-12	75.7	2-5/8
2403-32-20	2-1/2-12	1-5/8-12	76.8	2-5/8
2403-32-24	2-1/2-12	1-7/8-12	80.1	2-5/8
2403-32-32	2-1/2-12	2-1/2-12	86.4	2-5/8

the process quality of sannke parts are assured by **KEYENCE** and **Mitutoyo**'s inspection machine .

Sannke[®]



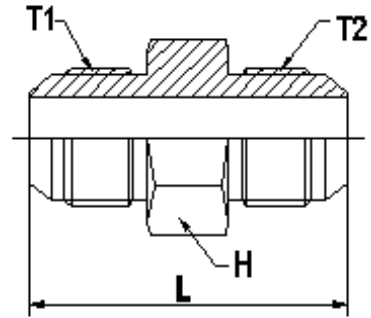
Fittings & Adapters

2403-LH SERIES(LARGE HEX UNION)

(1) 37° MALE TUBE

(2) 37° MALE TUBE

SAE# 070119



PART NUMBER	T1(UNF/UN-2A)	T2(UNF/UN-2A)	L	H (INCH)
2403-LH-04-04	7/16-20	7/16-20	34.8	11/16
2403-LH-05-05	1/2-20	1/2-20	34.8	3/4
2403-LH-06-06	9/16-18	9/16-18	35.8	13/16
2403-LH-08-08	3/4-16	3/4-16	41.2	1
2403-LH-10-10	7/8-14	7/8-14	47.8	1-1/8
2403-LH-12-12	1-1/16-12	1-1/16-12	54.9	1-3/8
2403-LH-16-16	1-5/16-12	1-5/16-12	57.2	1-5/8
2403-LH-20-20	1-5/8-12	1-5/8-12	61.7	1-7/8
2403-LH-24-24	1-7/8-12	1-7/8-12	69.8	2-1/8
2403-LH-32-32	2-1/2-12	2-1/2-12	86.4	2-5/8

the process quality of sannke parts are assured by **KEYENCE** and **Mitutoyo** 's inspection machine .

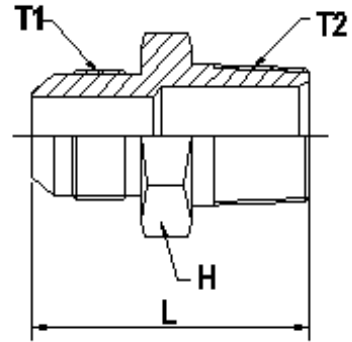
Sannke[®]



Fittings & Adapters

2404 SERIES
 (1) 37° MALE TUBE
 (2) MALE PIPE

SAE# 070102



PART NUMBER	T1(UNF/UN-2A)	T2(NPTF)	L	H (INCH)
2404-02-02	5/16-24	1/8-27	28.2	7/16
2404-02-04	5/16-24	1/4-18	33.5	5/8
2404-03-02	3/8-24	1/8-27	29.0	7/16
2404-03-04	3/8-24	1/4-18	34.3	5/8
2404-04-02	7/16-20	1/8-27	31.0	1/2
2404-04-04	7/16-20	1/4-18	36.1	5/8
2404-04-06	7/16-20	3/8-18	36.1	13/16
2404-04-08	7/16-20	1/2-14	42.7	15/16
2404-04-12	7/16-20	3/4-14	44.5	1-1/8
2404-05-02	1/2-20	1/8-27	31.0	9/16
2404-05-04	1/2-20	1/4-18	36.1	5/8
2404-05-06	1/2-20	3/8-18	36.1	13/16
2404-05-08	1/2-20	1/2-14	42.7	15/16
2404-06-02	9/16-18	1/8-27	31.5	5/8
2404-06-04	9/16-18	1/4-18	36.3	5/8
2404-06-06	9/16-18	3/8-18	36.3	13/16
2404-06-08	9/16-18	1/2-14	42.9	15/16
2404-06-12	9/16-18	3/4-14	44.5	1-1/8
2404-08-02	3/4-16	1/8-27	34.0	13/16
2404-08-04	3/4-16	1/4-18	38.3	13/16
2404-08-06	3/4-16	3/8-18	38.9	13/16
2404-08-08	3/4-16	1/2-14	45.5	15/16
2404-08-12	3/4-16	3/4-14	47.0	1-1/8
2404-08-16	3/4-16	1-11-1/2	52.1	1-3/8
2404-10-04	7/8-14	1/4-18	43.2	15/16

the process quality of sannke parts are assured by **KEYENCE** and **Mitutoyo** 's inspection machine .

Sannke®



Fittings & Adapters

PART NUMBER	T1(UNF/UN-2A)	T2(NPTF)	L	H (INCH)
2404-10-06	7/8-14	3/8-18	43.2	15/16
2404-10-08	7/8-14	1/2-14	48.0	15/16
2404-10-12	7/8-14	3/4-14	49.5	1-1/8
2404-10-16	7/8-14	1-11-1/2	54.6	1-3/8
2404-12-06	1-1/16-12	3/8-18	47.5	1-1/8
2404-12-08	1-1/16-12	1/2-14	52.3	1-1/8
2404-12-12	1-1/16-12	3/4-14	52.3	1-1/8
2404-12-16	1-1/16-12	1-11-1/2	57.2	1-3/8
2404-12-20	1-1/16-12	1-1/4-11-1/2	59.9	1-11/16
2404-12-24	1-1/16-12	1-1/2-11-1/2	62.5	2
2404-14-08	1-3/16-12	1/2-14	53.1	1-1/4
2404-14-12	1-3/16-12	3/4-12	53.1	1-1/4
2404-14-16	1-3/16-12	1-11-1/2	57.9	1-3/8
2404-16-08	1-5/16-12	1/2-14	53.6	1-3/8
2404-16-12	1-5/16-12	3/4-14	53.6	1-3/8
2404-16-16	1-5/16-12	1-11-1/2	58.4	1-3/8
2404-16-20	1-5/16-12	1-1/4-11-1/2	61.0	1-11/16
2404-16-24	1-5/16-12	1-1/2-11-1/2	63.8	2
2404-20-12	1-5/8-12	3/4-14	56.6	1-11/16
2404-20-16	1-5/8-12	1-11-1/2	61.5	1-11/16
2404-20-20	1-5/8-12	1-1/4-11-1/2	62.2	1-11/16
2404-20-24	1-5/8-12	1-1/2-11-1/2	64.8	2
2404-20-32	1-5/8-12	2-11-1/2	69.3	2-5/8
2404-24-12	1-7/8-12	3/4-14	61.7	2
2404-24-16	1-7/8-12	1-11-1/2	66.6	2
2404-24-20	1-7/8-12	1-1/4-11-1/2	67.3	2
2404-24-24	1-7/8-12	1-1/2-11-1/2	68.1	2
2404-24-32	1-7/8-12	2-11-1/2	72.6	2-5/8
2404-32-12	2-1/2-12	3/4-14	71.9	2-5/8
2404-32-16	2-1/2-12	1-11-1/2	76.7	2-5/8
2404-32-20	2-1/2-12	1-1/4-11-1/2	77.5	2-5/8
2404-32-24	2-1/2-12	1-1/2-11-1/2	78.2	2-5/8
2404-32-32	2-1/2-12	2-11-1/2	79.0	2-5/8

the process quality of sannke parts are assured by **KEYENCE** and **Mitutoyo** 's inspection machine .

Sannke[®]



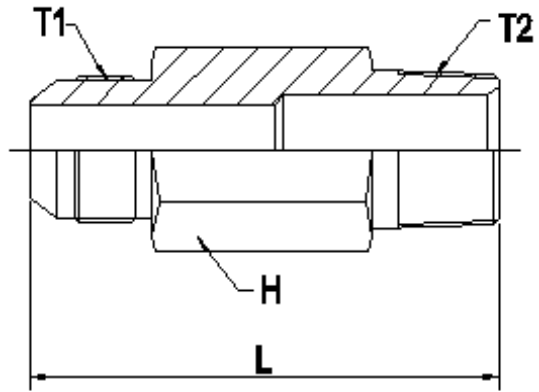
Fittings & Adapters

2404-L SERIES(LONG CONNECT)

(1) 37° MALE TUBE

(2) MALE PIPE-LONG

SAE#



PART NUMBER	T1(UNF/UN-2A)	T2(NPTF)	L	H (INCH)
2404-L-04-02	7/16-20	1/8-27	45.7	1/2
2404-L-04-04	7/16-20	1/4-18	57.2	5/8
2404-L-05-02	1/2-20	1/8-27	49.3	9/16
2404-L-05-04	1/2-20	1/4-18	57.1	5/8
2404-L-06-02	9/16-18	1/8-27	55.9	5/8
2404-L-06-04	9/16-18	1/4-18	57.2	5/8
2404-L-06-06	9/16-18	3/8-18	63.5	13/16
2404-L-06-08	9/16-18	1/2-14	74.8	15/16
2404-L-08-06	3/4-16	3/8-18	69.9	13/16
2404-L-08-08	3/4-16	1/2-14	77.2	15/16
2404-L-10-08	7/8-14	1/2-14	79.3	15/16
2404-L-12-12	1-1/16-12	3/4-14	88.9	1-1/8
2404-L-16-12	1-5/16-12	3/4-14	96.8	1-3/8
2404-L-16-16	1-5/16-12	1-11-1/2	101.6	1-3/8
2404-L-32-32	2-1/2-12	2-11-1/2	142.8	2-5/8

the process quality of sannke parts are assured by **KEYENCE** and **Mitutoyo** 's inspection machine .

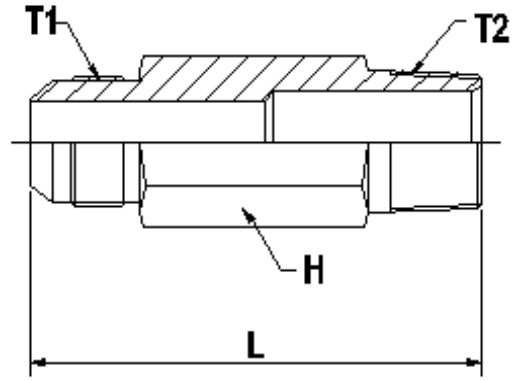
Sannke®



Fittings & Adapters

2404-LL SERIES
 (1) 37° MALE TUBE
 (2) MALE PIPE-X-LONG

SAE#



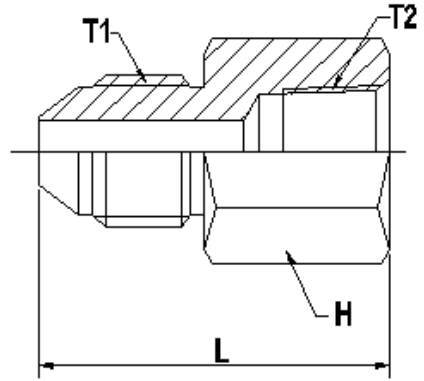
PART NUMBER	T1(UNF/UN-2A)	T2(NPTF)	L	H (INCH)
2404-LL-04-02	7/16-20	1/8-27	65.0	1/2
2404-LL-04-04	7/16-20	1/4-18	82.6	5/8
2404-LL-05-02	1/2-20	1/8-27	71.4	9/16
2404-LL-06-04	9/16-18	1/4-18	82.6	5/8
2404-LL-06-06	9/16-18	3/8-18	99.6	13/16
2404-LL-08-06	3/4-16	3/8-18	101.6	13/16
2404-LL-08-08	3/4-16	1/2-14	106.7	15/16
2404-LL-10-08	7/8-14	1/2-14	111.1	15/16
2404-LL-12-12	1-1/16-12	3/4-14	127.0	1-1/8

the process quality of sannke parts are assured by **KEYENCE** and **Mitutoyo** 's inspection machine .

Fittings & Adapters

2405 SERIES
 (1) 37° MALE TUBE
 (2) FEMALE PIPE

SAE# 070103



PART NUMBER	T1(UNF/UN-2A)	T2(NPTF)	L	H (INCH)
2405-02-02	5/16-24	1/8-27	28.5	9/16
2405-02-04	5/16-24	1/4-18	32.8	3/4
2405-03-02	3/8-24	1/8-27	28.7	9/16
2405-03-04	3/8-24	1/4-18	33.4	3/4
2405-04-02	7/16-20	1/8-27	30.2	9/16
2405-04-04	7/16-20	1/4-18	35.3	3/4
2405-04-06	7/16-20	3/8-18	36.8	7/8
2405-04-08	7/16-20	1/2-14	42.7	1-1/8
2405-05-02	1/2-20	1/8-27	29.7	9/16
2405-05-04	1/2-20	1/4-18	35.6	3/4
2405-05-06	1/2-20	3/8-18	36.8	7/8
2405-06-02	9/16-18	1/8-27	31.2	5/8
2405-06-04	9/16-18	1/4-18	35.6	3/4
2405-06-06	9/16-18	3/8-18	39.6	7/8
2405-06-08	9/16-18	1/2-14	42.9	1-1/8
2405-08-04	3/4-16	1/4-18	39.4	13/16
2405-08-06	3/4-16	3/8-18	39.6	7/8
2405-08-08	3/4-16	1/2-14	45.5	1-1/8
2405-08-12	3/4-16	3/4-14	47.1	1-3/8
2405-10-06	7/8-14	3/8-18	42.4	15/16
2405-10-08	7/8-14	1/2-14	48.0	1-1/8
2405-10-12	7/8-14	3/4-14	49.7	1-3/8
2405-12-08	1-1/16-12	1/2-14	52.1	1-1/8
2405-12-12	1-1/16-12	3/4-14	52.3	1-3/8
2405-12-16	1-1/16-12	1-11-1/2	58.6	1-5/8

the process quality of sannke parts are assured by **KEYENCE** and **Mitutoyo**'s inspection machine .

Sannke[®]



Fittings & Adapters

PART NUMBER	T1(UNF/UN-2A)	T2(NPTF)	L	H (INCH)
2405-14-12	1-3/16-12	3/4-14	52.3	1-3/8
2405-16-12	1-5/16-12	3/4-14	53.9	1-3/8
2405-16-16	1-5/16-12	1-11-1/2	59.7	1-5/8
2405-16-20	1-5/16-12	1-1/4-11-1/2	62.0	2
2405-16-24	1-5/16-12	1-1/2-11-1/2	62.2	2-5/16
2405-20-16	1-5/8-12	1-11-1/2	62.7	1-11/16
2405-20-20	1-5/8-12	1-1/4-11-1/2	63.3	2
2405-20-24	1-5/8-12	1-1/2-11-1/2	63.3	2-5/16
2405-24-20	1-7/8-12	1-1/4-11-1/2	63.4	2
2405-24-24	1-7/8-12	1-1/2-11-1/2	66.6	2-5/16
2405-32-32	2-1/2-12	2-11-1/2	75.4	2-7/8

the process quality of sannke parts are assured by **KEYENCE** and **Mitutoyo** 's inspection machine .

Sannke[®]



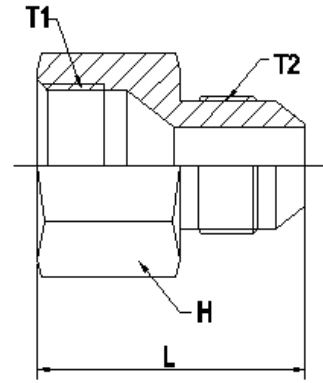
Fittings & Adapters

2406 SERIES(STRAIGHT REDUCER)

(1) 37° FEMALE

(2) 37° MALE TUBE

SAE#



PART NUMBER	T1(UNF/UN-2B)	T2(UNF/UN-2A)	L	H (INCH)
2406-02-03	5/16-24	3/8-24	24.9	7/16
2406-03-04	3/8-24	7/16-20	28.3	9/16
2406-04-02	7/16-20	5/16-24	26.7	5/8
2406-04-03	7/16-20	3/8-24	26.6	5/8
2406-04-06	7/16-20	9/16-18	25.4	5/8
2406-05-04	1/2-20	7/16-20	30.2	5/8
2406-05-06	1/2-20	9/16-18	29.5	5/8
2406-05-08	1/2-20	3/4-16	32.2	13/16
2406-06-02	9/16-18	5/16-24	27.2	11/16
2406-06-04	9/16-18	7/16-20	30.2	11/16
2406-06-05	9/16-18	1/2-20	30.0	11/16
2406-06-06	9/16-18	9/16-18	30.1	11/16
2406-06-08	9/16-18	3/4-16	29.5	13/16
2406-06-10	9/16-18	7/8-14	32.6	15/16
2406-08-04	3/4-16	7/16-20	33.7	15/16
2406-08-05	3/4-16	1/2-20	33.3	15/16
2406-08-06	3/4-16	9/16-18	33.8	15/16
2406-08-08	3/4-16	3/4-16	36.3	15/16
2406-08-10	3/4-16	7/8-14	32.8	15/16
2406-08-12	3/4-16	1-1/16-12	36.6	1-1/8
2406-08-16	3/4-16	1-5/16-12	40.9	1-3/8
2406-10-04	7/8-14	7/16-20	37.3	1
2406-10-06	7/8-14	9/16-18	35.8	1
2406-10-08	7/8-14	3/4-16	35.8	1
2406-10-12	7/8-14	1-1/16-12	37.9	1-1/8
2406-10-16	7/8-14	1-5/16-12	41.2	1-3/8
2406-12-02	1-1/16-12	5/16-24	35.5	1-1/4
2406-12-04	1-1/16-12	7/16-20	38.1	1-1/4

the process quality of sannke parts are assured by **KEYENCE** and **Mitutoyo** 's inspection machine .

Sannke[®]



Fittings & Adapters

PART NUMBER	T1(UNF/UN-2B)	T2(NPTF)	L	H (INCH)
2406-12-06	1-1/16-12	9/16-18	37.1	1-1/4
2406-12-08	1-1/16-12	3/4-16	39.6	1-1/4
2406-12-10	1-1/16-12	7/8-14	41.7	1-1/4
2406-12-12	1-1/16-12	1-1/16-12	44.2	1-1/4
2406-12-16	1-1/16-12	1-5/16-12	40.9	1-3/8
2406-12-20	1-1/16-12	1-5/8-12	44.2	1-11/16
2406-14-06	1-3/16-12	9/16-18	39.8	1-3/8
2406-14-08	1-3/16-12	3/4-16	42.9	1-3/8
2406-14-10	1-3/16-12	7/8-14	43.9	1-3/8
2406-14-12	1-3/16-12	1-1/16-12	45.6	1-3/8
2406-14-16	1-3/16-12	1-5/16-12	50.4	1-3/8
2406-16-04	1-5/16-12	7/16-20	46.7	1-1/2
2406-16-06	1-5/16-12	9/16-18	46.7	1-1/2
2406-16-08	1-5/16-12	3/4-16	43.7	1-1/2
2406-16-10	1-5/16-12	7/8-14	46.2	1-1/2
2406-16-12	1-5/16-12	1-1/16-12	46.2	1-1/2
2406-16-14	1-5/16-12	1-3/16-12	46.5	1-1/2
2406-16-20	1-5/16-12	1-5/8-12	58.4	1-11/16
2406-16-24	1-5/16-12	1-7/8-12	54.5	2
2406-20-06	1-5/8-12	9/16-18	42.6	2
2406-20-08	1-5/8-12	3/4-16	46.8	2
2406-20-10	1-5/8-12	7/8-14	48.6	2
2406-20-12	1-5/8-12	1-1/16-12	50.8	2
2406-20-14	1-5/8-12	1-3/16-12	51.6	2
2406-20-16	1-5/8-12	1-5/16-12	50.9	2
2406-20-24	1-5/8-12	1-7/8-12	54.5	2
2406-24-08	1-7/8-12	3/4-16	57.1	2-1/4
2406-24-10	1-7/8-12	7/8-14	59.7	2-1/4
2406-24-12	1-7/8-12	1-1/16-12	62.4	2-1/4
2406-24-16	1-7/8-12	1-5/16-12	63.6	2-1/4
2406-24-20	1-7/8-12	1-5/8-12	67.3	2-1/4
2406-24-32	1-7/8-12	1-7/8-12	60.8	2-5/8
2406-32-20	2-1/2-12	1-5/8-12	70.5	2-7/8
2406-32-24	2-1/2-12	1-7/8-12	66.4	2-7/8

the process quality of sannke parts are assured by **KEYENCE** and **Mitutoyo** 's inspection machine .

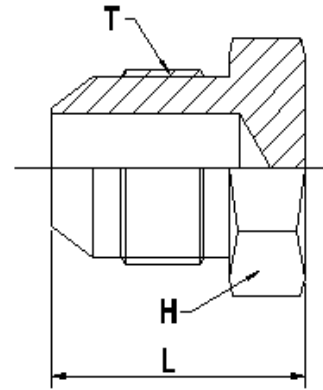
Sannke[®]



Fittings & Adapters

2408 SERIES (PLUG)
(1) MALE TUBE

SAE# 070109



PART NUMBER	T(UNF/UN-2A)	L	H(INCH)
2408-02	5/16-24	17.8	7/16
2408-03	3/8-24	18.5	7/16
2408-04	7/16-20	20.3	1/2
2408-05	1/2-20	20.3	9/16
2408-06	9/16-18	21.3	5/8
2408-08	3/4-16	23.9	13/16
2408-10	7/8-14	27.9	15/16
2408-12	1-1/16-12	32.5	1-1/8
2408-14	1-3/16-12	33.3	1-1/4
2408-16	1-5/16-12	33.8	1-3/8
2408-20	1-5/8-12	36.8	1-11/16
2408-24	1-7/8-12	41.9	2
2408-32	2-1/2-12	52.1	2-5/8

the process quality of sannke parts are assured by **KEYENCE** and **Mitutoyo** 's inspection machine .

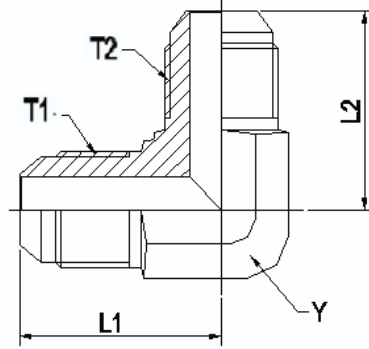
Sannke[®]



Fittings & Adapters

2500 SERIES (90° ELBOW)
 (1), (2) 37° MALE TUBE

SAE# 070201



PART NUMBER	T1(UNF/UN-2A)	T2(UNF/UN-2A)	L1	L2	Y(INCH)
2500-02-02	5/16-24	5/16-24	19.6	19.6	7/16
2500-03-03	3/8-24	3/8-24	21.2	21.1	7/16
2500-04-04	7/16-20	7/16-20	22.6	22.6	7/16
2500-05-04	1/2-20	7/16-20	24.1	24.1	9/16
2500-05-05	1/2-20	1/2-20	24.1	24.1	9/16
2500-06-04	9/16-18	7/16-20	26.9	26.7	9/16
2500-06-06	9/16-18	9/16-18	26.9	26.9	9/16
2500-08-06	3/4-16	9/16-18	31.8	29.0	3/4
2500-08-08	3/4-16	3/4-16	31.8	31.8	3/4
2500-10-08	7/8-14	3/4-16	36.8	33.8	7/8
2500-10-10	7/8-14	7/8-14	36.8	36.8	7/8
2500-12-08	1-1/16-12	3/4-16	42.2	36.1	1-1/16
2500-12-10	1-1/16-12	7/8-14	42.2	39.1	1-1/16
2500-12-12	1-1/16-12	1-1/16-12	42.2	42.2	1-1/16
2500-14-14	1-3/16-12	1-3/16-12	45.7	45.7	1-5/16
2500-16-12	1-5/16-12	1-1/16-12	46.0	44.7	1-5/16
2500-16-16	1-5/16-12	1-5/16-12	46.0	46.0	1-5/16
2500-20-20	1-5/8-12	1-5/8-12	52.3	52.3	1-5/8
2500-24-24	1-7/8-12	1-7/8-12	59.2	59.2	1-7/8
2500-32-32	2-1/2-12	2-1/2-12	77.7	77.7	2-1/2

the process quality of sannke parts are assured by **KEYENCE** and **Mitutoyo** 's inspection machine .

Sannke[®]



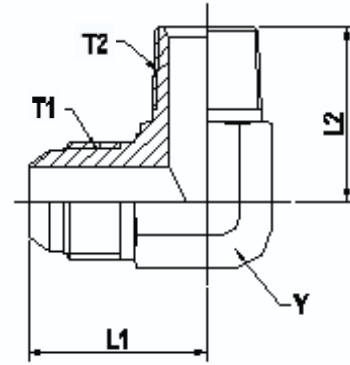
Fittings & Adapters

2501 SERIES (90° ELBOW)

(1), 37° MALE TUBE

(2) MALE PIPE

SAE# 070202



PART NUMBER	T1(UNF/UN-2A)	T2(NPTF)	L1	L2	Y(INCH)
2501-02-02	5/16-24	1/8-27	19.6	18.3	7/16
2501-03-02	3/8-24	1/8-27	21.1	18.3	7/16
2501-04-01	7/16-20	1/16-27	22.6	19.8	7/16
2501-04-02	7/16-20	1/8-27	22.6	19.8	7/16
2501-04-04	7/16-20	1/4-18	26.7	27.7	9/16
2501-04-06	7/16-20	3/8-18	28.5	31.0	3/4
2501-04-08	7/16-20	1/2-14	30.7	37.3	7/8
2501-04-12	7/16-20	3/4-14	31.8	40.4	1-1/16
2501-05-02	1/2-20	1/8-27	24.1	19.8	9/16
2501-05-04	1/2-20	1/4-18	26.7	27.7	9/16
2501-05-06	1/2-20	3/8-18	28.5	31.0	3/4
2501-05-08	1/2-20	1/2-14	30.7	37.3	7/8
2501-06-02	9/16-18	1/8-27	26.9	22.9	9/16
2501-06-04	9/16-18	1/4-18	26.9	27.7	9/16
2501-06-06	9/16-18	3/8-18	29.0	31.0	3/4
2501-06-08	9/16-18	1/2-14	31.0	37.3	7/8
2501-06-12	9/16-18	3/4-14	33.3	40.4	1-1/16
2501-08-02	3/4-16	1/8-27	31.8	26.2	3/4
2501-08-04	3/4-16	1/4-18	31.8	31.0	3/4
2501-08-06	3/4-16	3/8-18	31.8	31.0	3/4
2501-08-08	3/4-16	1/2-14	33.8	37.3	7/8
2501-08-12	3/4-16	3/4-14	36.1	40.4	1-1/16
2501-08-16	3/4-16	1-11-1/2	38.6	50.0	1-5/16
2501-10-06	7/8-14	3/8-18	36.8	32.5	7/8
2501-10-08	7/8-14	1/2-14	36.8	37.3	7/8

the process quality of sannke parts are assuredanced by **KEYENCE** and **Mitutoyo** 's inspection machine .

Sannke®



Fittings & Adapters

PART NUMBER	T1(UNF/UN-2A)	T2(NPTF)	L1	L2	Y(INCH)
2501-10-12	7/8-14	3/4-14	39.1	40.4	1-1/16
2501-10-16	7/8-14	1-11-1/2	41.7	50.0	1-5/16
2501-12-06	1-1/16-12	3/8-18	42.2	35.6	1-1/16
2501-12-08	1-1/16-12	1/2-14	42.2	40.4	1-1/16
2501-12-12	1-1/16-12	3/4-14	42.2	40.4	1-1/16
2501-12-16	1-1/16-12	1-11-1/2	44.7	50.0	1-5/16
2501-12-20	1-1/16-12	1-1/4-11-1/2	50.0	60.5	1-5/8
2501-12-24	1-1/16-12	1-1/2-11-1/2	53.6	67.1	1-7/8
2501-14-12	1-3/16-12	3/4-14	45.7	42.9	1-5/16
2501-16-06	1-5/16-12	3/8-18	46.0	40.4	1-5/16
2501-16-08	1-5/16-12	1/2-14	46.0	45.2	1-5/16
2501-16-12	1-5/16-12	3/4-14	46.0	45.2	1-5/16
2501-16-16	1-5/16-12	1-11-1/2	46.0	50.0	1-5/16
2501-16-20	1-5/16-12	1-1/4-11-1/2	51.1	60.5	1-5/8
2501-16-24	1-5/16-12	1-1/2-11-1/2	54.9	67.1	1-7/8
2501-20-16	1-5/8-12	1-11-1/2	52.3	59.7	1-5/8
2501-20-20	1-5/8-12	1-1/4-11-1/2	52.3	60.5	1-5/8
2501-20-24	1-5/8-12	1-1/2-11-1/2	55.9	67.1	1-7/8
2501-24-16	1-7/8-12	1-11-1/2	59.2	65.5	1-7/8
2501-24-20	1-7/8-12	1-1/4-11-1/2	59.2	66.3	1-7/8
2501-24-24	1-7/8-12	1-1/2-11-1/2	59.2	67.1	1-7/8
2501-24-32	1-7/8-12	2-11-1/2	71.4	76.2	2-1/2
2501-32-24	2-1/2-12	1-1/2-11-1/2	77.7	75.4	2-1/2
2501-32-32	2-1/2-12	2-11-1/2	77.7	76.1	2-1/2

the process quality of sannke parts are assured by **KEYENCE** and **Mitutoyo**'s inspection machine.

Sannke[®]



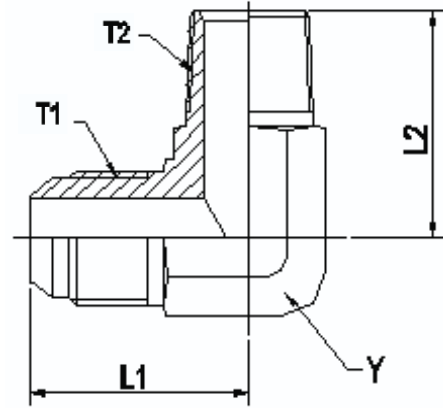
Fittings & Adapters

2501 SERIES (90° ELBOW)

(1), 37° MALE TUBE

(2) MALE PIPE-LONG

SAE# 071502



PART NUMBER	T1(UNF/UN-2A)	T2(NPTF)	L1	L2	Y(INCH)
2501-L-04-02	7/16-20	1/8-27	22.6	29.7	7/16
2501-L-04-04	7/16-20	1/4-18	26.7	36.6	9/16
2501-L-05-02	1/2-20	1/8-27	26.9	29.7	9/16
2501-L-05-04	1/2-20	1/4-18	26.7	37.6	9/16
2501-L-06-02	9/16-18	1/8-27	26.9	31.2	9/16
2501-L-06-04	9/16-18	1/4-18	26.9	39.6	9/16
2501-L-06-06	9/16-18	3/8-18	29.0	46.2	3/4
2501-L-06-08	9/16-18	1/2-14	31.0	57.2	7/8
2501-L-08-04	3/4-16	1/4-18	31.8	46.7	3/4
2501-L-08-06	3/4-16	3/8-16	31.8	45.2	3/4
2501-L-08-08	3/4-16	1/2-14	33.8	54.9	7/8
2501-L-08-12	3/4-16	3/4-14	36.1	61.9	1-1/16
2501-L-10-08	7/8-14	1/2-14	36.8	54.9	7/8
2501-L-10-12	7/8-14	3/4-14	39.1	63.0	1-1/16
2501-L-12-08	1-1/16-12	1/2-14	42.2	62.0	1-1/16
2501-L-12-12	1-1/16-12	3/4-14	42.2	61.9	1-1/16
2501-L-12-16	1-1/16-12	1-11-1/2	44.7	76.5	1-5/16
2501-L-14-12	1-3/16-12	3/4-14	45.7	65.8	1-5/16
2501-L-16-12	1-5/16-12	3/4-14	46.0	66.8	1-5/16
2501-L-16-16	1-5/16-12	1-11-1/2	46.0	76.6	1-5/16
2501-L-20-20	1-5/8-12	1-1/4-11-1/2	52.3	93.7	1-5/8
2501-L-24-24	1-7/8-12	1-1/2-11-1/2	59.2	104.4	1-7/8

the process quality of sannke parts are assured by **KEYENCE** and **Mitutoyo**'s inspection machine.

Sannke[®]



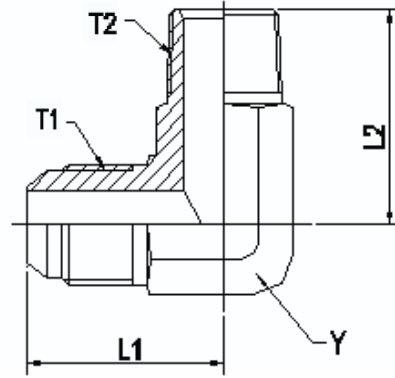
Fittings & Adapters

2501 -LL SERIES (90° ELBOW)

(1),37° MALE TUBE

(2) MALE PIPE-X-LONG

SAE# 071602



PART NUMBER	T1(UNF/UN-2A)	T2(NPTF)	L1	L2	Y(INCH)
2501-LL-04-02	7/16-20	1/8-27	22.6	32.5	7/16
2501-LL-04-04	7/16-20	1/4-18	26.7	51.6	9/16
2501-LL-05-02	1/2-20	1/8-27	24.1	41.4	9/16
2501-LL-05-04	1/2-20	1/4-18	26.7	52.3	9/16
2501-LL-06-04	9/16-18	1/4-18	26.9	52.6	9/16
2501-LL-06-06	9/16-18	3/8-18	29.0	59.4	3/4
2501-LL-06-08	9/16-18	1/2-14	31.0	72.9	7/8
2501-LL-08-06	3/4-16	3/8-18	31.8	59.4	3/4
2501-LL-08-08	3/4-16	1/2-14	33.8	72.9	7/8
2501-LL-10-08	7/8-14	1/2-14	36.8	72.9	7/8
2501-LL-12-08	1-1/16-12	1/2-14	42.2	83.3	1-1/16
2501-LL-12-12	1-1/16-12	3/4-14	42.2	83.3	1-1/16
2501-LL-14-12	1-3/16-12	3/4-14	45.7	88.9	1-5/16
2501-LL-16-12	1-5/16-12	3/4-14	46.0	98.0	1-5/16
2501-LL-16-16	1-5/16-12	1-11-1/2	46.0	102.9	1-5/16
2501-LL-20-20	1-5/8-12	1-1/4-11-1/2	52.3	125.5	1-5/8
2501-LL-24-24	1-7/8-12	1-1/2-11-1/2	59.2	141.0	1-7/8

the process quality of sannke parts are assured by **KEYENCE** and **Mitutoyo** 's inspection machine .

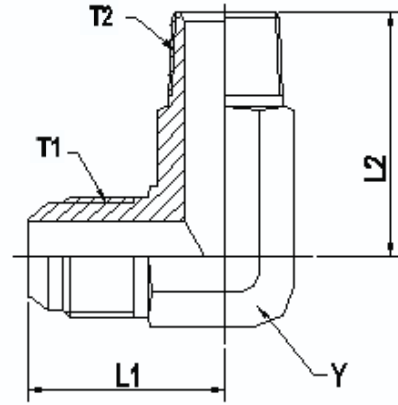
Sannke[®]



Fittings & Adapters

2501 -LLL SERIES (90° ELBOW)
 (1), 37° MALE TUBE
 (2) MALE PIPE-XXX-LONG

SAE#



PART NUMBER	T1(UNF/UN-2A)	T2(NPTF)	L1	L2	Y(INCH)
2501-LLL-04-02	7/16-20	1/8-27	22.6	58.7	7/16
2501-LLL-04-04	7/16-20	1/4-18	26.7	76.2	9/16
2501-LLL-06-04	9/16-18	1/4-18	26.9	77.7	9/16
2501-LLL-06-06	9/16-18	3/8-18	29.0	95.3	3/4
2501-LLL-08-06	3/4-16	3/8-18	31.8	95.3	3/4
2501-LLL-08-08	3/4-16	1/2-14	33.8	114.3	7/8
2501-LLL-10-08	7/8-14	1/2-14	36.8	114.3	7/8
2501-LLL-12-12	1-1/16-12	3/4-14	42.2	127.8	1-1/16
2501-LLL-16-16	1-5/16-12	1-11-1/2	46.0	161.0	1-5/16
2501-LLL-20-20	1-5/8-12	1-1/4-11-1/2	52.3	186.4	1-5/8

the process quality of sannke parts are assured by **KEYENCE** and **Mitutoyo**'s inspection machine .

Sannke[®]



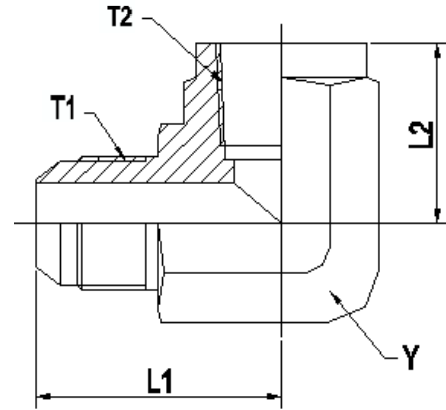
Fittings & Adapters

2502 SERIES (90° ELBOW)

(1), 37° MALE TUBE

(2) FEMALE PIPE

SAE# 070203



PART NUMBER	T1(UNF/UN-2A)	T2(NPTF)	L1	L2	Y(INCH)
2502-02-02	5/16-24	1/8-27	25.4	16.8	9/16
2502-03-02	3/8-24	1/8-27	26.2	16.8	9/16
2502-04-02	7/16-20	1/8-27	27.4	16.8	9/16
2502-04-04	7/16-20	1/4-18	31.0	22.4	3/4
2502-04-06	7/16-20	3/8-18	32.8	25.9	7/8
2502-05-02	1/2-20	1/8-27	27.4	16.8	9/16
2502-05-04	1/2-20	1/4-18	31.0	22.4	3/4
2502-06-02	9/16-18	1/8-27	31.2	17.0	9/16
2502-06-04	9/16-18	1/4-18	31.2	22.4	3/4
2502-06-06	9/16-18	3/8-18	33.3	25.9	7/8
2502-06-08	9/16-18	1/2-14	35.8	31.2	1-1/16
2502-08-04	3/4-16	1/4-18	36.1	25.7	3/4
2502-08-06	3/4-16	3/8-18	36.1	25.9	7/8
2502-08-08	3/4-16	1/2-14	38.6	31.2	1-1/16
2502-08-12	3/4-16	3/4-14	41.9	34.5	1-5/16
2502-10-08	7/8-14	1/2-14	41.7	31.2	1-1/16
2502-12-08	1-1/16-12	1/2-14	48.0	34.3	1-1/16
2502-12-12	1-1/16-12	3/4-14	48.0	34.5	1-5/16
2502-12-16	1-1/16-12	1-11-1/2	53.9	41.2	1-5/8
2502-14-12	1-3/16-12	3/4-14	47.2	36.1	1-5/16
2502-16-12	1-5/16-12	3/4-14	55.1	35.3	1-5/16
2502-16-16	1-5/16-12	1-11-1/2	55.1	41.2	1-5/8
2502-20-20	1-5/8-12	1-1/4-11-1/2	59.2	43.2	1-7/8
2502-24-24	1-7/8-12	1-1/2-11-1/2	73.4	52.8	2-9/16
2502-32-32	2-1/2-12	2-11-1/2	83.8	60.7	2-13/16

the process quality of sannke parts are assured by **KEYENCE** and **Mitutoyo**'s inspection machine.

Sannke[®]



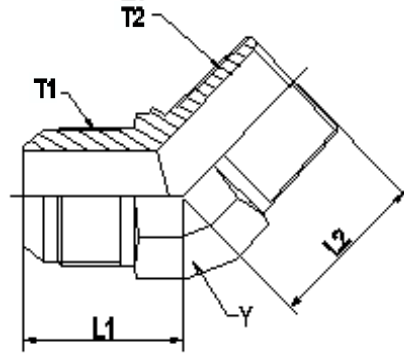
Fittings & Adapters

2503 SERIES (45° ELBOW)

(1) 37° MALE TUBE

(2) MALE PIPE

SAE# 070302



PART NUMBER	T1(UNF/UN-2A)	T2(NPTF)	L1	L2	Y(INCH)
2503-02-02	5/16-24	1/8-27	17.5	16.3	7/16
2503-03-02	3/8-24	1/8-27	17.5	16.3	7/16
2503-04-02	7/16-20	1/8-27	19.6	16.3	7/16
2503-04-04	7/16-20	1/4-18	20.8	21.8	9/16
2503-04-06	7/16-20	3/8-18	21.6	24.1	3/4
2503-04-08	7/16-20	1/2-14	22.1	29.7	7/8
2503-05-02	1/2-20	1/8-27	19.6	16.3	9/16
2503-05-04	1/2-20	1/4-18	20.8	21.8	9/16
2503-06-02	9/16-18	1/8-27	21.1	16.3	9/16
2503-06-04	9-16-18	1/4-18	21.1	21.8	9/16
2503-06-06	9/16-18	3/8-18	22.1	24.1	3/4
2503-06-08	9/16-1/8	1/2-14	24.9	29.7	7/8
2503-06-12	9/16-18	3/4-14	24.9	30.5	1-1/16
2503-08-04	3/4-16	1/4-18	24.9	24.1	3/4
2503-08-06	3/4-16	3/8-18	24.9	24.1	3/4
2503-08-08	3/4-16	1/2-14	25.2	29.7	7/8
2503-08-12	3/4-16	3/4-14	26.4	30.5	1-1/16
2503-10-06	7/8-14	3/8-18	28.2	24.9	7/8
2503-10-08	7/8-14	1/2-14	28.2	29.7	7/8
2503-10-12	7/8-14	3/4-14	29.5	30.5	1-1/16
2503-12-08	1-1/16-12	1/2-14	32.5	30.5	1-1/16
2503-12-12	1-1/16-12	3/4-14	32.5	30.5	1-1/16
2503-12-16	1-1/16-12	1-11-1/2	36.1	37.6	1-5/16
2503-14-12	1-3/16-12	3/4-14	36.8	33.0	1-5/16
2503-16-08	1-5/16-12	1/2-14	37.3	32.8	1-5/16
2503-16-12	1-5/16-12	3/4-14	37.3	32.8	1-5/16
2503-16-16	1-5/16-12	1-11-1/2	37.3	37.6	1-5/16
2503-16-20	1-5/16-12	1-1/4-11-1/2	39.1	42.4	1-5/8
2503-20-16	1-5/8-12	1-11-1/2	40.4	41.7	1-5/8
2503-20-20	1-5/8-12	1-1/4-11-1/2	40.4	42.4	1-5/8
2503-20-24	1-5/8-12	1-1/2-11-1/2	41.9	45.0	1-7/8
2503-24-24	1-7/8-12	1-1/2-11-1/2	45.2	45.0	1-7/8
2503-32-32	2-1/2-12	2-11-1/2	56.4	53.6	2-1/2

the process quality of sannke parts are assured by **KEYENCE** and **Mitutoyo**'s inspection machine.

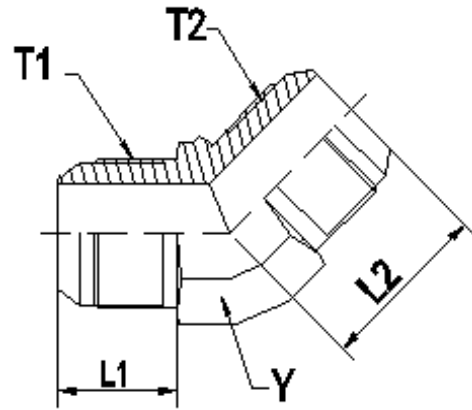
Sannke[®]



Fittings & Adapters

2504 SERIES (45° ELBOW)
 (1) 37° MALE TUBE
 (2) 37° MALE TUBE

SAE#



PART NUMBER	T1(UNF/UN-2A)	T2(UNF/UN-2A)	L1	L2	Y(INCH)
2504-03-03	3/8-24	3/8-24	17.5	17.5	7/16
2504-04-04	7/16-20	7/16-20	18.3	18.3	7/16
2504-06-04	9/16-18	7/16-20	21.1	19.6	9/16
2504-06-06	9/16-18	9/16-18	21.1	21.1	9/16
2504-08-06	3/4-16	9/16-18	24.9	23.1	3/4
2504-08-08	3/4-16	3/4-16	24.9	24.9	3/4
2504-10-08	7/8-14	3/4-16	28.2	25.2	7/8
2504-10-10	7/8-14	7/8-16	28.2	28.2	7/8
2504-12-12	1-1/16-12	1-1/16-12	32.5	32.5	1-1/16
2504-16-16	1-5/16-12	1-5/16-12	37.3	37.3	1-5/16

the process quality of sannke parts are assured by **KEYENCE** and **Mitutoyo** 's inspection machine .

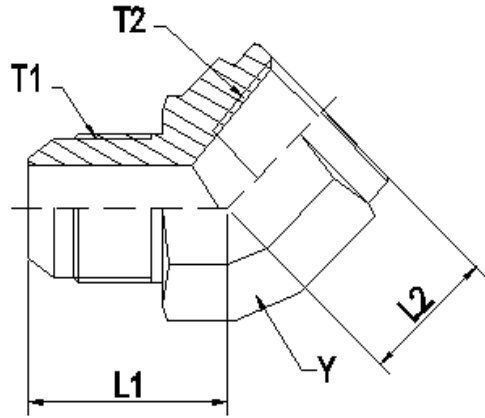
Sannke®



Fittings & Adapters

2505 SERIES (45° ELBOW)
 (1) 37° MALE TUBE
 (2) FEMALE PIPE

SAE#

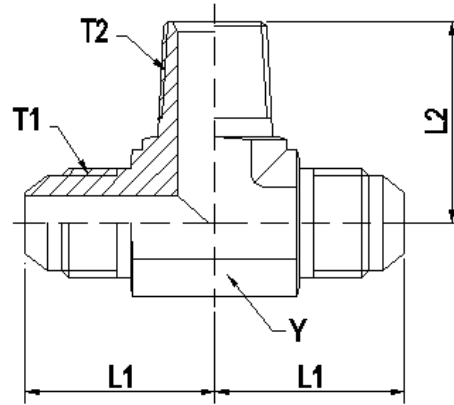


PART NUMBER	T1(UNF/UN-2A)	T2(NPTF)	L1	L2	Y(INCH)
2505-04-02	7/16-20	1/8-27	21.1	12.7	9/16
2505-04-04	7/16-20	1/4-18	21.6	15.8	3/4
2505-06-04	9/16-18	1/4-18	22.1	17.5	3/4
2505-06-06	9/16-18	3/8-18	22.4	19.1	7/8
2505-08-06	3/4-16	3/8-18	25.2	19.1	7/8
2505-08-08	3/4-16	1/2-14	26.4	23.9	1-1/16
2505-10-08	7/8-14	1/2-14	32.5	23.1	1-1/16
2505-12-12	1-1/16-13	3/4-14	36.1	25.4	1-5/16
2504-16-16	1-5/16-12	1-11-1/2	39.1	28.5	1-5/8

the process quality of sannke parts are assured by **KEYENCE** and **Mitutoyo** 's inspection machine .

Fittings & Adapters

2601 SERIES (TEE)
 (1),(2) 37° MALE TUBE
 (2) MALE PIPE
 SAE# 070425



PART NUMBER	T1(UNF/UN-2A)	T2(NPTF)	L1	L2	Y(INCH)
2601-02-02-02	5/16-24	1/8-27	19.6	18.3	7/16
2601-03-03-02	3/8-24	1/8-27	21.1	18.3	7/16
2601-04-04-02	7/16-20	1/8-27	22.6	19.8	7/16
2601-04-04-04	7/16-20	1/4-18	26.7	27.7	9/16
2601-04-04-06	7/16-20	3/8-18	28.5	31.0	3/4
2601-05-05-02	1/2-20	1/8-27	24.1	19.8	9/16
2601-05-05-04	1/2-20	1/4-18	26.7	27.7	9/16
2601-06-06-02	9/16-18	1/8-27	26.9	22.9	9/16
2601-06-06-04	9/16-18	1/4-18	26.9	27.7	9/16
2601-06-06-06	9/16-18	3/8-18	29.0	31.0	3/4
2601-06-06-08	9/16-18	1/2-14	31.0	37.4	7/8
2601-08-08-06	3/4-16	3/8-18	31.8	31.0	3/4
2601-08-08-08	3/4-16	1/2-14	33.8	37.3	7/8
2601-10-10-08	7/8-14	1/2-14	36.8	37.3	7/8
2601-12-12-08	1-1/16-12	1/2-14	42.2	40.4	1-1/16
2601-12-12-12	1-1/16-12	3/4-14	42.2	40.4	1-1/16
2601-14-14-12	1-3/16-12	3/4-14	45.7	42.9	1-5/16
2601-16-16-12	1-5/16-12	3/4-14	46.0	45.2	1-5/16
2601-16-16-16	1-5/16-12	1-11-1/2	46.0	50.0	1-5/16
2601-20-20-20	1-5/8-12	1-1/4-11-1/2	52.3	60.5	1-5/8
2601-24-24-24	1-7/8-12	1-1/2-11-1/2	59.2	67.1	1-7/8
2601-32-32-32	2-1/2-12	2-11-1/2	77.7	76.2	2-1/2

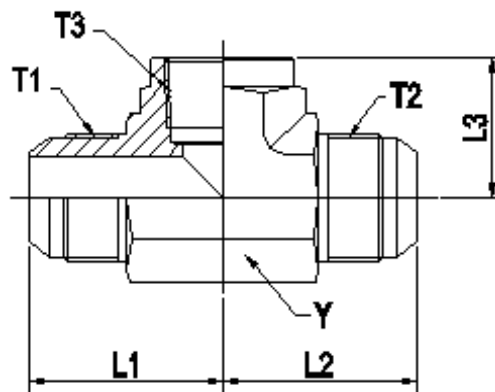
the process quality of sannke parts are assured by **KEYENCE** and **Mitutoyo** 's inspection machine .

Sannke[®]



Fittings & Adapters

2602 SERIES (TEE)
 (1),(2) 37° MALE TUBE
 (2) FEMALE PIPE
 SAE# 070427



PART NUMBER	T1(UNF/UN-2A)	T2(UNF/UN-2A)	T3(NPTF)	L1	L2	L3	Y(INCH)
2602-02-02-02	5/16-24	5/16-24	1/8-27	25.4	25.4	16.8	9/16
2602-04-04-02	7/16-20	7/16-20	1/8-27	27.4	27.4	16.8	9/16
2602-04-04-04	7/16-20	7/16-20	1/4-18	31.0	31.0	22.4	3/4
2602-05-05-02	1/2-20	1/2-20	1/8-27	27.4	27.4	16.8	9/16
2602-06-06-04	9/16-18	9/16-18	1/4-18	31.2	31.2	22.4	3/4
2602-06-06-06	9/16-18	9/16-18	3/8-18	33.3	33.3	25.9	7/8
2602-08-06-06	3/4-16	9/16-18	3/8-18	36.1	33.3	25.9	7/8
2602-08-08-06	3/4-16	3/4-16	3/8-18	36.1	36.1	25.9	7/8
2602-08-08-08	3/4-16	3/4-16	1/2-14	38.6	38.6	31.2	1-1/16
2602-10-10-08	7/8-14	7/8-14	1/2-14	41.7	41.7	31.2	1-1/16
2602-12-12-12	1-1/16-12	1-1/16-12	3/4-14	48.0	48.0	34.5	1-5/16
2602-12-12-16	1-1/16-12	1-1/16-12	1-11-1/2	53.9	53.9	41.2	1-5/8
2602-14-14-12	1-3/16-12	1-3/16-12	3/4-14	47.2	47.2	36.0	1-5/16
2602-16-16-16	1-5/16-12	1-5/16-12	1-11-1/2	55.1	55.1	41.2	1-5/8
2602-20-20-20	1-5/8-12	1-5/8-12	1-1/4-11-1/2	59.2	59.1	47.6	1-7/8
2602-24-24-24	1-7/8-12	1-7/8-12	1-1/2-11-1/2	73.4	73.4	52.8	2 9/16
2602-32-32-32	2-1/2-12	2-1/2-12	2-11-1/2	83.8	83.8	60.7	2 13/16

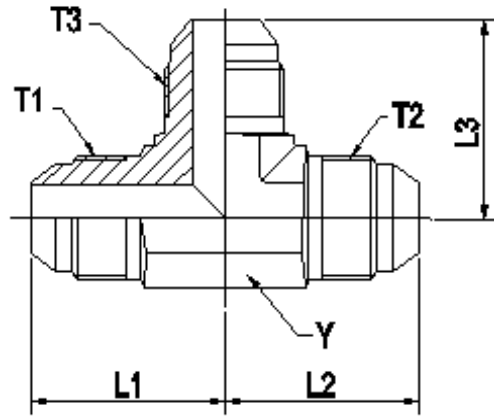
the process quality of sannke parts are assured by **KEYENCE** and **Mitutoyo** 's inspection machine .

Sannke[®]



Fittings & Adapters

2603 SERIES (TEE)
 (1),(2),(3) 37° MALE TUBE
 SAE# 070401



PART NUMBER	T1(UNF/UN-2A)	T2(UNF/UN-2A)	T3(UNF/UN-2A)	L1	L2	L3	Y(INCH)
2603-02-02-02	5/16-24	5/16-24	5/16-24	19.6	19.6	19.6	7/16
2603-03-03-03	3/8-24	3/8-24	3/8-24	21.1	21.1	21.1	7/16
2603-04-04-04	7/16-20	7/16-20	7/16-20	22.6	22.6	22.6	7/16
2603-04-04-06	7/16-20	7/16-20	9/16-18	26.7	26.7	26.9	9/16
2603-05-05-05	1/2-20	1/2-20	1/2-20	24.1	24.1	24.1	9/16
2603-06-04-06	9/16-18	7/16-20	9/16-18	26.9	26.1	26.9	9/16
2603-06-06-06	9/16-18	9/16-18	9-16-18	26.9	26.9	26.9	9/16
2603-06-06-08	9/16-18	9/16-18	3/4-16	29.0	29.0	31.8	3/4
2603-08-08-08	3/4-16	3/4-16	3/4-16	31.8	31.8	31.8	3/4
2603-08-08-10	3/4-16	3/4-16	7/8-14	33.8	33.8	36.8	7/8
2603-10-08-08	7/8-14	3/4-16	3/4-16	36.8	33.8	33.8	7/8
2603-10-10-08	7/8-14	7/8-14	3/4-16	36.8	36.8	33.8	7/8
2603-10-10-10	7/8-14	7/8-14	7/8-14	36.8	36.8	36.8	7/8
2603-12-12-08	1-1/16-12	1-1/16-12	3/4-16	42.2	42.2	36.1	1-1/16
2603-12-12-12	1-1/16-12	1-1/16-12	1-1/16-12	42.2	42.2	42.2	1-1/16
2603-16-12-20	1-5/16-12	1-1/16-12	1-5/8-12	51.1	50.0	52.3	1-5/8
2603-16-16-12	1-5/16-12	1-5/16-12	1-1/16-12	46.0	46.0	44.7	1-5/16
2603-16-16-16	1-5/16-12	1-5/16-12	1-5/16-12	46.0	46.0	46.0	1-5/16
2603-16-16-20	1-5/16-12	1-5/16-12	1-5/8-12	51.1	51.1	52.3	1-5/8
2603-16-20-16	1-5/16-12	1-5/8-12	1-5/16-12	51.1	52.3	51.1	1-5/8
2603-20-16-16	1-5/8-12	1-5/16-12	1-5/16-12	52.3	51.1	51.1	1-5/8
2603-20-20-16	1-5/8-12	1-5/8-12	1-5/16-12	52.3	52.3	51.1	1-5/8
2603-20-20-20	1-5/8-12	1-5/8-12	1-5/8-12	52.3	52.3	52.3	1-5/8
2603-24-24-24	1-7/8-12	1-7/8-12	1-7/8-12	59.2	59.2	59.2	1-7/8
2603-32-32-32	2-1/2-12	2-1/2-12	2-1/2-12	77.7	77.7	77.7	2-1/2

the process quality of sannke parts are assured by **KEYENCE** and **Mitutoyo** 's inspection machine .

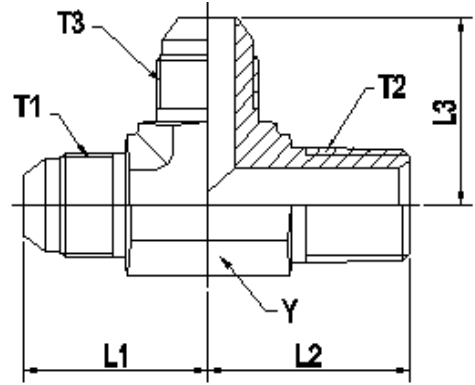
Sannke®



Fittings & Adapters

2605 SERIES (TEE)
 (1),,(3) 37° MALE TUBE
 (2) MALE PIPE

SAE# 070424



PART NUMBER	T1(UNF/UN-2A)	T2(NPTF)	T3(UNF/UN-2A)	L1	L2	L3	Y(INCH)
2605-02-02-02	5/16-24	1/8-27	5/16-24	19.6	18.3	19.6	7/16
2605-03-02-03	3/8-24	1/8-27	3/8-24	21.1	18.3	21.1	7/16
2605-04-02-04	7/16-20	1/8-27	7/16-20	22.6	19.8	22.6	7/16
2605-04-04-04	7/16-20	1/4-18	7/16-20	26.7	27.7	26.7	9/16
2605-05-02-05	1/2-20	1/8-27	1/2-20	24.1	19.8	24.1	9/16
2605-05-04-05	1/2-20	1/4-18	1/2-20	26.7	27.7	26.7	9/16
2605-06-02-06	9/16-18	1/8-27	9/16-18	26.9	19.8	26.9	9/16
2605-06-04-06	9/16-18	1/4-18	9/16-18	26.9	27.7	26.9	9/16
2605-06-06-06	9/16-18	3/8-18	9/16-18	29.0	31.0	29.0	3/4
2605-06-08-06	9/16-18	1/2-14	9/16-18	29.5	37.3	29.5	7/8
2605-08-04-08	3/4-16	1/4-18	3/4-16	31.8	31.0	31.8	3/4
2605-08-06-08	3/4-16	3/8-18	3/4-16	31.8	31.0	31.8	3/4
2605-08-08-06	3/4-16	1/2-14	9/16-18	31.8	37.3	31.8	7/8
2605-08-08-08	3/4-16	1/2-14	3/4-16	33.8	37.3	33.8	7/8
2605-10-08-10	7/8-14	1/2-14	7/8-14	36.8	37.3	36.8	7/8
2605-12-08-12	1-1/16-12	1/2-14	1-1/16-12	42.2	40.4	42.2	1-1/16
2605-12-12-08	1-1/16-12	3/4-14	3/4-16	42.2	40.4	36.0	1-1/16
2605-12-12-12	1-1/16-12	3/4-14	1-1/16-12	42.2	40.4	42.2	1-1/16
2605-14-12-14	1-3/16-12	3/4-14	1-3/16-12	45.7	42.9	45.7	1-5/16
2605-16-16-16	1-5/16-12	1-11-1/2	1-5/16-12	46.0	50.0	46.0	1-5/16
2605-20-16-20	1-5/8-12	1-11-1/2	1-5/8-12	52.3	59.7	52.3	1-5/16
2605-20-20-20	1-5/8-12	1-1/4-11-1/2	1-5/8-12	52.3	60.5	52.3	1-5/8
2605-24-24-24	1-7/8-12	1-1/2-11-1/2	1-7/8-12	59.2	67.1	59.2	1-7/8
2605-32-32-32	2-1/2-12	2-11-1/2	2-1/2-12	77.7	76.2	77.7	2-1/2

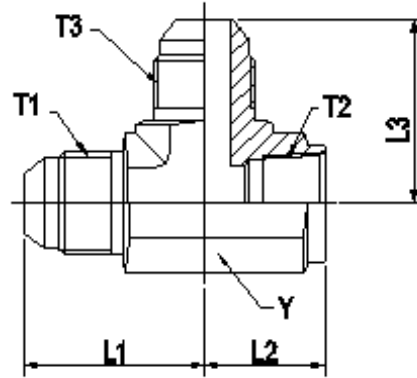
the process quality of sannke parts are assured by **KEYENCE** and **Mitutoyo** 's inspection machine .

Sannke®



Fittings & Adapters

2606 SERIES (TEE)
 (1),(3) 37° MALE TUBE
 (2) FEMALE PIPE
 SAE# 070426



PART NUMBER	T1(UNF/UN-2A)	T2(NPTF)	T3(UNF/UN-2A)	L1	L2	L3	Y(INCH)
2606-03-02-03	3/8-24	1/8-27	3/8-24	26.2	16.8	26.2	9/16
2606-04-02-04	7/16-20	1/8-27	7/16-20	27.4	16.8	27.4	9/16
2606-04-04-04	7/16-20	1/4-18	7/16-20	31.0	22.4	31.0	3/4
2606-06-04-06	9/16-18	1/4-18	9/16-18	31.2	22.4	31.2	3/4
2606-06-06-06	9/16-18	3/8-18	9/16-18	33.3	25.9	33.3	7/8
2606-08-06-08	3/4-16	3/8-18	3/4-16	36.1	25.9	36.1	7/8
2606-08-08-08	3/4-16	1/2-14	3/4-16	38.6	31.2	38.6	1-1/16
2606-10-08-10	7/8-14	1/2-14	7/8-14	41.7	31.2	41.7	1-1/16
2606-12-12-12	1-1/16-12	3/4-14	1-1/16-12	48.0	34.5	48.0	1-5/16
2606-14-12-14	1-3/16-12	3/4-12	1-3/16-12	47.2	36.1	47.2	1-5/16
2606-16-16-16	1-5/16-12	1-11-1/2	1-5/16-12	55.1	41.2	55.1	1-5/8
2606-20-20-20	1-5/8-12	1-1/4-11-1/2	1-5/8-12	59.2	43.2	59.2	1-7/8
2606-24-24-24	1-7/8-12	1-1/2-11-1/2	1-7/8-12	73.1	52.8	73.1	2 9/16
2606-32-32-32	2-1/2-12	2-11-1/2	2-1/2-12	83.8	60.7	83.8	2 13/16

the process quality of sannke parts are assured by **KEYENCE** and **Mitutoyo** 's inspection machine .

Sannke®



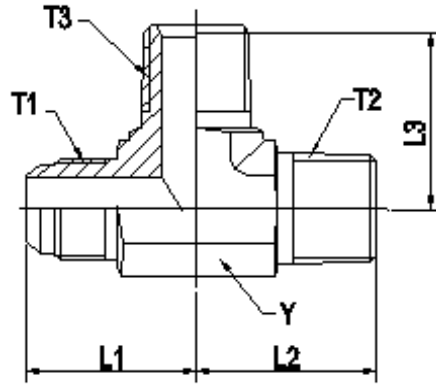
Fittings & Adapters

2607 SERIES (TEE)

(1), 37° MALE TUBE

(2),(3) MALE PIPE

SAE#

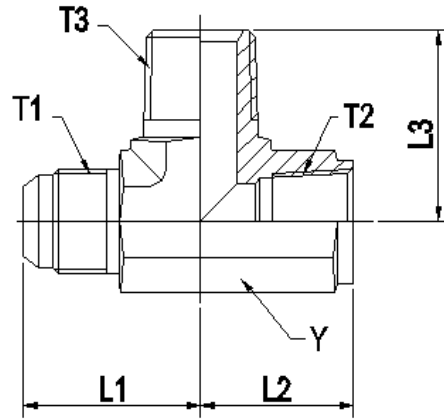


PART NUMBER	T1(UNF/UN-2A)	T2(NPTF)	T3(NPTF)	L1	L2	L3	Y(INCH)
2607-04-02-02	7/16-20	1/8-27	1/8-27	22.6	19.8	19.8	7/16
2607-06-04-04	9/16-18	1/4-18	1/4-18	26.9	27.7	27.7	9/16
2607-06-06-06	9/16-18	3/8-18	3/8-18	26.9	31.0	31.0	3/4
2607-08-08-08	3/4-16	1/2-14	1/2-14	31.8	37.3	37.	7/8
2607-10-08-08	7/8-14	1/2-14	1/2-14	36.8	37.3	37.3	7/8
2607-12-12-12	1-1/16-12	3/4-14	3/4-14	42.2	40.4	40.4	1-1/16
2607-16-16-16	1-5/16-12	1-11-1/2	1-11-1/2	46.0	50.0	50.0	1-5/16

the process quality of sannke parts are assured by **KEYENCE** and **Mitutoyo** 's inspection machine .

Fittings & Adapters

2608 SERIES (TEE)
 (1) 37° MALE TUBE
 (2) FEMALE PIPE
 (3) MALE PIPE
 SAE#



PART NUMBER	T1(UNF/UN-2A)	T2(NPTF)	T3(NPTF)	L1	L2	L3	Y(INCH)
2608-04-02-02	7/16-20	1/8-27	1/8-27	27.3	16.7	19.8	9/16
2608-04-04-04	7/16-20	1/4-18	1/4-18	31.0	22.4	27.7	3/4
2608-04-04-06	7/16-20	1/4-18	3/8-18	27.4	22.4	31.0	3/4
2608-06-04-04	9/16-18	1/4-18	1/4-18	31.2	22.4	27.7	3/4
2608-06-06-06	9/16-18	3/8-18	3/8-18	31.2	25.9	31.0	7/8
2608-08-06-06	3/4-16	3/8-18	3/8-18	36.1	25.9	31.0	7/8
2608-10-08-08	7/8-14	1/2-14	1/2-14	41.7	31.2	37.3	1-1/16
2608-12-12-12	1-1/16-12	3/4-14	3/4-14	48.0	34.5	40.4	1-5/16
2608-16-16-16	1-5/16-12	1-11-1/2	1-11-1/2	55.1	41.2	50.0	1-5/8
2608-20-20-20	1-5/8-12	1-1/4-11-1/2	1-1/4-11-1/2	59.2	43.2	60.5	1-7/8

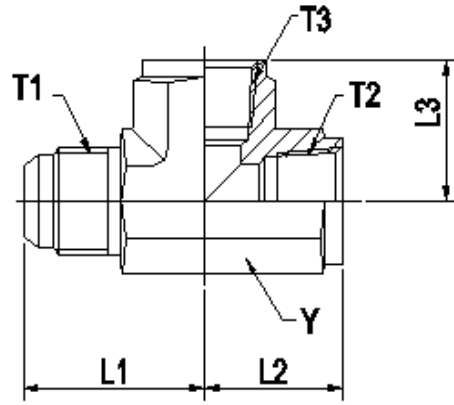
the process quality of sannke parts are assured by **KEYENCE** and **Mitutoyo** 's inspection machine .

Sannke[®]



Fittings & Adapters

2609 SERIES (TEE)
 (1) 37° MALE TUBE
 (2),(3) FEMALE PIPE
 SAE#



PART NUMBER	T1(UNF/UN-2A)	T2(NPTF)	T3(NPTF)	L1	L2	L3	Y(INCH)
2609-04-02-02	7/16-20	1/8-27	1/8-27	27.4	16.8	16.8	9/16
2609-06-04-04	9/16-18	1/4-18	1/4-18	31.2	22.4	22.4	3/4
2609-08-06-06	3/4-16	3/8-18	3/8-18	36.1	25.9	25.9	7/8
2609-10-08-08	7/8-14	1/2-14	1/2-14	41.7	31.2	31.2	1-1/16
2609-12-12-12	1-1/16-12	3/4-14	3/4-14	48.0	34.5	34.5	1-5/16
2609-16-12-08	1-5/16-12	3/4-14	1/2-14	55.1	34.5	33.3	1-5/16

the process quality of sannke parts are assured by **KEYENCE** and **Mitutoyo** 's inspection machine .

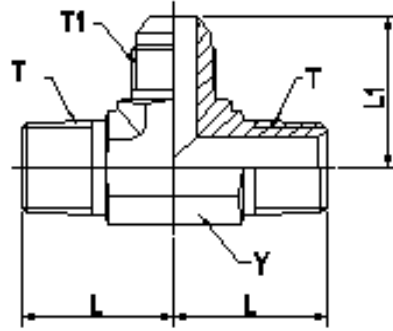
Fittings & Adapters

2610 SERIES (TEE)

(1), (2) MALE PIPE

(3) 37° MALE TUBE

SAE#



PART NUMBER	T (NPTF)	T1(UNF/UN-2A)	L	L1	Y(INCH)
2610-04-04-04	1/4-18	7/16-20	27.7	24.1	9/16
2610-06-06-06	3/8-18	9/16-18	31.0	26.9	3/4
2610-08-08-08	1/2-14	3/4-16	37.3	31.8	7/8

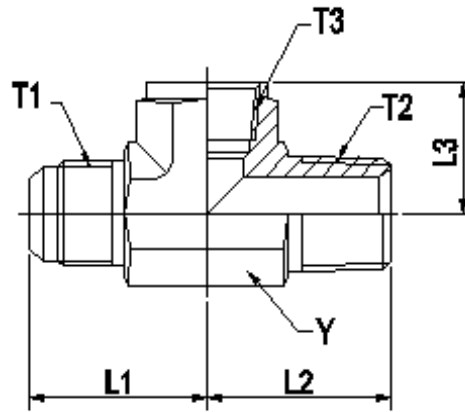
the process quality of sannke parts are assured by **KEYENCE** and **Mitutoyo** 's inspection machine .

Sannke[®]



Fittings & Adapters

2611 SERIES (TEE)
 (1), 37° MALE TUBE
 (2) MALE PIPE
 (3) FEMALE PIPE
 SAE#



PART NUMBER	T1(UNF/UN-2A)	T2(NPTF)	T3(NPTF)	L1	L2	L3	Y(INCH)
2611-04-02-02	7/16-20	1/8-27	1/8-27	27.4	19.8	16.8	9/16
2611-04-04-02	7/16-20	1/4-18	1/8-27	27.4	27.7	16.8	9/16
2611-04-04-04	7/16-20	1/4-18	1/4-18	27.4	27.7	22.4	3/4
2611-06-04-04	9/16-18	1/4-18	1/4-18	31.2	27.7	22.4	3/4
2611-06-06-06	9/16-18	3/8-18	3/8-18	31.2	31.1	25.9	7/8
2611-08-06-06	3/4-16	3/8-18	3/8-18	36.1	31.1	25.9	7/8
2611-08-06-08	3/4-16	3/8-18	1/2-14	36.1	32.5	31.2	1-1/16
2611-08-08-08	3/4-16	1/2-14	1/2-14	36.8	37.3	31.2	1-1/16
2611-10-08-08	7/8-14	1/2-14	1/2-14	41.7	37.3	31.2	1-1/16
2611-12-12-12	1-1/16-12	3/4-14	3/4-14	48.0	40.4	34.5	1-5/16
2611-16-16-16	1-5/16-12	1-11-1/2	1-11-1/2	55.1	50.0	41.2	1-5/8

the process quality of sannke parts are assured by **KEYENCE** and **Mitutoyo** 's inspection machine .

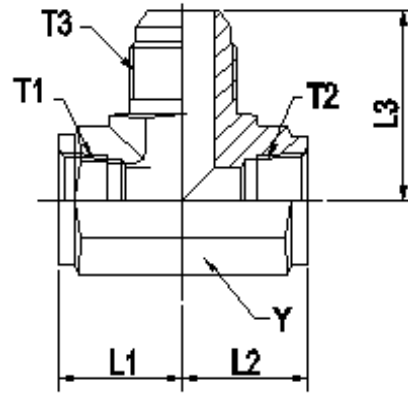
Sannke[®]



Fittings & Adapters

2612 SERIES (TEE)
 (1), (2) FEMALE PIPE
 (3) 37° MALE TUBE

SAE#



PART NUMBER	T1(NPTF)	T2(NPTF)	T3(UNF/UN-2A)	L1	L2	L3	Y(INCH)
2612-02-02-04	1/8-27	1/8-27	7/16-20	16.8	16.8	27.4	9/16
2612-04-04-06	1/4-18	1/4-18	9/16-18	22.4	22.4	31.2	3/4
2612-06-06-08	3/8-18	3/8-18	3/4-16	25.9	25.9	36.1	7/8
2612-08-08-08	1/2-14	1/2-14	3/4-16	31.2	31.2	36.1	1-1/16
2612-08-08-10	1/2-14	1/2-14	7/8-14	31.2	31.2	41.7	1-1/16
2612-12-12-12	3/4-14	3/4-14	1-1/16-12	34.5	34.5	48.0	1-5/16
2612-16-16-16	1-11-1/2	1-11-1/2	1-5/16-12	41.2	41.2	55.1	1-5/8

the process quality of sannke parts are assured by **KEYENCE** and **Mitutoyo** 's inspection machine .

Fittings & Adapters

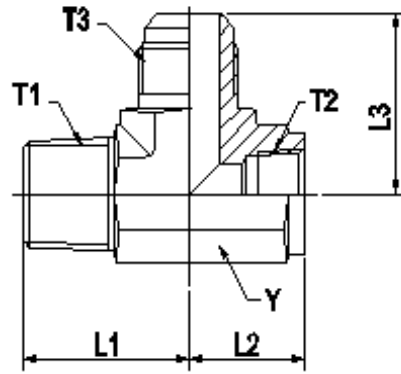
2613 SERIES (TEE)

(1), MALE PIPE

(2) , FEMALE PIPE

(3) 37° MALE TUBE

SAE#



PART NUMBER	T1(NPTF)	T2(NPTF)	T3(UNF/UN-2A)	L1	L2	L3	Y(INCH)
2613-02-02-04	1/8-27	1/8-27	7/16-20	19.8	16.8	27.4	9/16
2613-04-04-04	1/4-18	1/4-18	7/16-20	27.7	22.4	27.4	3/4
2613-04-04-06	1/4-18	1/4-18	9/16-18	27.7	22.4	31.2	3/4
2613-06-06-06	3/8-18	3/8-18	9/16-18	31.0	25.9	31.2	7/8
2613-06-06-08	3/8-18	3/8-18	3/4-16	31.0	25.9	36.1	7/8
2613-08-08-10	1/2-14	1/2-14	7/8-14	37.3	31.2	41.7	1-1/16
2613-12-12-12	3/4-14	3/4-14	1-1/16-12	40.4	34.5	48.0	1-5/16
2613-16-16-16	1-11-1/2	1-11-1/2	1-5/16-12	50.0	41.2	55.1	1-5/8

the process quality of sannke parts are assured by **KEYENCE** and **Mitutoyo** 's inspection machine .

Sannke[®]

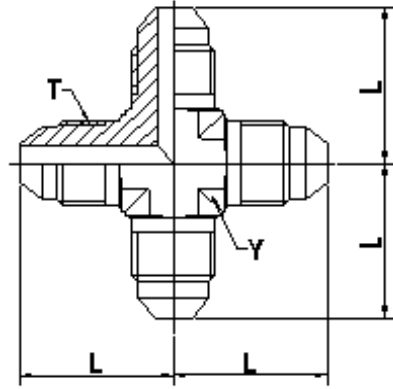


Fittings & Adapters

2650 SERIES (CROSS)

(1)~(4), 37° MALE TUBE

SAE# 070501



PART NUMBER	T3(UNF/UN-4A)	L	Y(INCH)
2650-04-04-04-04	7/16-20	22.6	7/16
2650-05-05-05-05	1/2-20	24.1	9/16
2650-06-06-06-06	9/16-18	26.9	9/16
2650-08-08-08-08	3/4-16	31.8	3/4
2650-10-10-10-10	7/8-14	36.8	7/8
2650-12-12-12-12	1-1/16-12	42.2	1-1/16
2650-14-14-14-14	1-3/16-12	45.7	1-5/16
2650-16-16-16-16	1-5/16-12	46.0	1-5/16
2650-20-20-20-20	1-5/8-12	52.3	1-5/8
2650-24-24-24-24	1-7/8-12	59.2	1-7/8
2650-32-32-32-32	2-1/2-12	77.7	2-1/2

the process quality of sannke parts are assured by **KEYENCE** and **Mitutoyo** 's inspection machine .

Sannke[®]



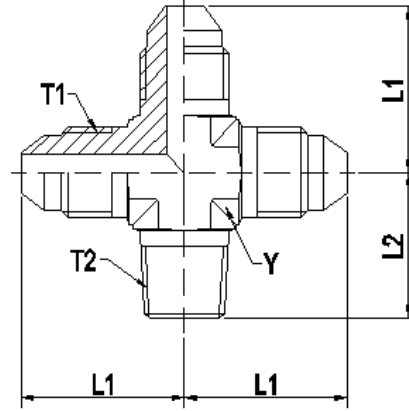
Fittings & Adapters

2651 SERIES (CROSS)

(1),(3) 37° MALE TUBE

(4) MALE PIPE

SAE#



PART NUMBER	T1(UNF/UN-2A)	T2(NPTF)	L1	L2	Y(INCH)
2651-04-04-04-04	7/16-20	1/4-18	26.7	27.7	9/16
2651-06-06-06-04	9/16-18	1/4-18	26.9	27.7	9/16
2651-06-06-06-06	9/16-18	3/8-18	29.0	31.0	3/4
2651-08-08-08-06	3/4-16	3/8-18	31.8	31.0	3/4
2651-08-08-08-08	3/4-16	1/2-14	33.8	37.3	7/8
2651-12-12-12-12	1-1/16-12	3/4-14	42.2	40.4	1-1/16

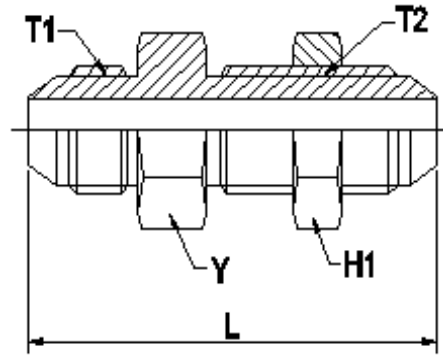
the process quality of sannke parts are assured by **KEYENCE** and **Mitutoyo** 's inspection machine .

Sannke[®]



Fittings & Adapters

2700 SERIES
 (1) 37° MALE TUBE
 (2) BULKHEAD
 SAE# 070601



PART NUMBER	T1(UNF/UN-2A)	T2(UNF/UN-2A)	L	Y(INCH)	H1(INCH)
2700-02-02	5/16-24	5/16-24	47.5	9/16	9/16
2700-03-03	3/8-24	3/8-24	48.3	5/8	5/8
2700-04-04	7/16-20	7/16-20	52.6	11/16	11/16
2700-05-05	1/2-20	1/2-20	52.6	3/4	3/4
2700-06-04	9/16-18	7/16-20	53.3	13/16	11/16
2700-06-06	9/16-18	9/16-18	55.4	13/16	13/16
2700-08-08	3/4-16	3/4-16	62.0	1	1
2700-10-10	7/8-14	7/8-14	69.6	1-1/8	1-1/8
2700-12-12	1-1/16-12	1-1/16-12	78.5	1-3/8	1-3/8
2700-14-14	1-3/16-12	1-3/16-12	79.3	1-1/2	1-1/2
2700-16-16	1-5/16-12	1-5/16-12	79.8	1-5/8	1-5/8
2700-20-20	1-5/8-12	1-5/8-12	84.1	1-7/8	1-7/8
2700-24-24	1-7/8-12	1-7/8-12	89.4	2-1/8	2-1/8
2700-32-32	2-1/2-12	2-1/2-12	106.7	2-3/4	2-3/4

the process quality of sannke parts are assured by **KEYENCE** and **Mitutoyo** 's inspection machine .

Sannke[®]



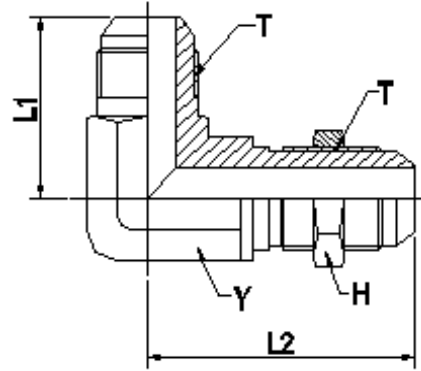
Fittings & Adapters

2701 SERIES (90° ELBOW)

(1) 37° MALE TUBE

(2) BULKHEAD

SAE# 070701



PART NUMBER	T(UNF/UN-2A)	L1	L2	Y(INCH)	H(INCH)
2701-03-03	3/8-24	23.9	38.1	7/16	5/8
2701-04-04	7/16-20	24.6	40.4	7/16	11/16
2701-05-05	1/2-20	26.9	43.7	9/16	3/4
2701-06-06	9/16-18	26.9	46.0	9/16	13/16
2701-08-08	3/4-16	34.5	53.6	3/4	1
2701-10-10	7/8-14	39.6	60.7	7/8	1-1/8
2701-12-12	1-1/16-12	45.2	67.8	1-1/16	1-3/8
2701-14-14	1-3/16-12	48.8	71.1	1-5/16	1-1/2
2701-16-16	1-5/16-12	49.3	71.1	1-5/16	1-5/8
2701-20-20	1-5/8-12	55.1	79.3	1-5/8	1-7/8
2701-24-24	1-7/8-12	59.4	86.9	1-7/8	2-1/8
2701-32-32	2-1/2-12	73.4	104.4	2-1/2	2-3/4

the process quality of sannke parts are assured by **KEYENCE** and **Mitutoyo** 's inspection machine .

Sannke[®]



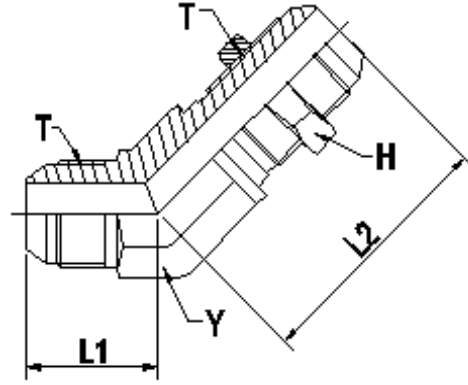
Fittings & Adapters

2702 SERIES (45° ELBOW)

(1) 37° MALE TUBE

(2) BULKHEAD

SAE# 070801

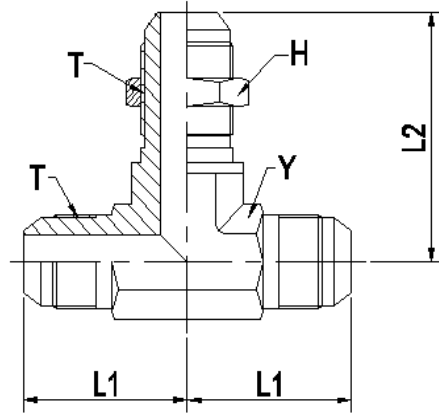


PART NUMBER	T(UNF/UN-2A)	L1	L2	Y(INCH)	H(INCH)
2702-03-03	3/8-24	17.5	36.1	7/16	5/8
2702-04-04	7/16-20	18.3	38.9	7/16	11/16
2702-05-05	1/2-20	19.6	42.2	9/16	3/4
2702-06-06	9/16-18	21.1	42.4	9/16	13/16
2702-08-08	3/4-16	24.9	49.3	3/4	1
2702-10-10	7/8-14	28.2	55.1	7/8	1-1/8
2702-12-12	1-1/16-12	32.5	62.0	1-1/16	1-3/8
2702-16-16	1-5/16-12	37.3	65.0	1-5/16	1-5/8
2702-20-20	1-5/8-12	40.4	67.3	1-5/8	1-7/8
2702-24-24	1-7/8-12	45.2	67.8	1-7/8	2-1/8
2702-32-32	2-1/2-12	56.4	73.9	2-1/2	2-3/4

the process quality of sannke parts are assured by **KEYENCE** and **Mitutoyo** 's inspection machine .

Fittings & Adapters

2703 SERIES (TEE)
 (1)& (2) 37° MALE TUBE
 (3) BULKHEAD
 SAE# 070959

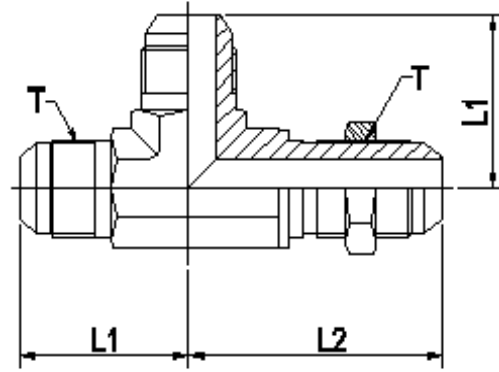


PART NUMBER	T(UNF/UN-2A)	L1	L2	Y(INCH)	H(INCH)
2703-03-03-03	3/8-24	23.9	38.1	7/16	5/8
2703-04-04-04	7/16-20	24.6	43.7	7/16	11/16
2703-05-05-05	1/2-20	26.9	43.7	9/16	3/4
2703-06-06-06	9/16-18	27.7	46.0	9/16	13/16
2703-08-08-08	3/4-16	34.5	53.4	3/4	1
2703-10-10-10	7/8-14	39.6	60.7	7/8	1-1/8
2703-12-12-12	1-1/16-12	45.2	67.8	1-1/16	1-3/8
2703-14-14-14	1-3/16-12	48.8	71.1	1-5/16	1-1/2
2703-16-16-16	1-5/16-12	49.3	71.1	1-5/16	1-5/8
2703-20-20-20	1-5/8-12	55.1	79.3	1-5/8	1-7/8
2703-24-24-24	1-7/8-12	59.4	86.9	1-7/8	2-1/8

the process quality of sannke parts are assured by **KEYENCE** and **Mitutoyo** 's inspection machine .

Fittings & Adapters

2704 SERIES (TEE)
 (1)& (3) 37° MALE TUBE
 (4) BULKHEAD
 SAE# 070958

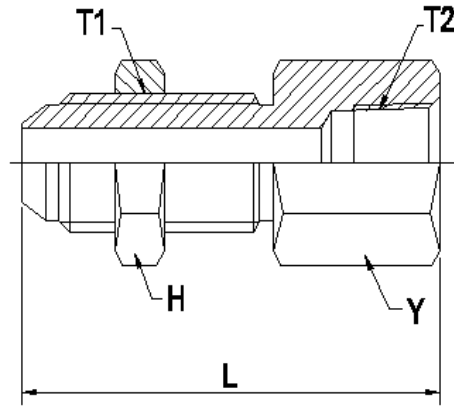


PART NUMBER	T(UNF/UN-2A)	L1	L2	Y(INCH)	H(INCH)
2704-03-03-03	3/8-24	23.9	38.1	7/16	5/8
2704-04-04-04	7/16-20	24.6	40.4	7/16	11/16
2704-05-05-05	1/2-20	26.9	43.7	9/16	3/4
2704-06-06-06	9/16-18	27.7	46.0	9/16	13/16
2704-08-08-08	3/4-16	34.5	53.6	3/4	1
2704-10-10-10	7/8-14	39.6	60.7	7/8	1-1/8
2704-12-12-12	1-1/16-12	45.2	67.8	1-1/16	1-3/8
2704-16-16-16	1-5/16-12	49.3	71.1	1-5/16	1-5/8
2704-20-20-20	1-5/8-12	55.1	79.3	1-5/8	1-7/8

the process quality of sannke parts are assured by **KEYENCE** and **Mitutoyo** 's inspection machine .

Fittings & Adapters

2705 SERIES
 (1) BULKHEAD
 (2) FEMALE PIPE
 SAE#



PART NUMBER	T1(UNF/UN-2A)	T2(NPTF)	L	Y(INCH)	H(INCH)
2705-04-02	7/16-20	1/8-27	46.7	11/16	9/16
2705-04-04	7/16-20	1/4-18	50.8	3/4	11/16
2705-06-04	9/16-18	1/4-18	52.8	13/16	11/16
2705-06-06	9/16-18	3/8-18	55.4	7/8	13/16
2705-08-06	3/4-16	3/8-18	59.4	1	13/16
2705-08-08	3/4-16	1/2-14	66.3	1-1/8	1
2705-10-08	7/8-14	1/2-14	68.1	1-1/8	1
2705-12-12	1-1/16-12	3/4-14	74.2	1-3/8	1-3/8
2705-16-16	1-5/16-12	1-11-1/2	78.5	1-5/8	1-5/8
2705-20-20	1-5/8-12	1-1/4-11-1/2	85.6	2	1-7/8
2705-24-24	1-7/8-12	1-1/2-11-1/2	86.0	2-5/16	2-1/8

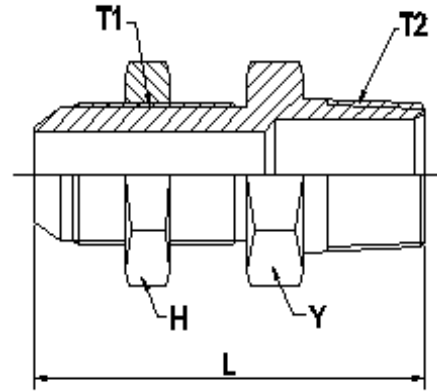
the process quality of sannke parts are assured by **KEYENCE** and **Mitutoyo** 's inspection machine .

Sannke[®]



Fittings & Adapters

2706 SERIES
 (1) BULKHEAD
 (2) MALE PIPE
 SAE#



PART NUMBER	T1(UNF/UN-2A)	T2(NPTF)	L	Y(INCH)	H(INCH)
2706-04-02	7/16-20	1/8-27	46.7	11/16	9/16
2706-04-04	7/16-20	1/4-18	51.6	11/16	11/16
2706-06-04	9/16-18	1/4-18	55.6	13/16	11/16
2706-06-06	9/16-18	3/8-18	55.6	13/16	13/16
2706-08-06	3/4-16	3/8-18	60.5	1	13/16
2706-08-08	3/4-16	1/2-14	65.5	1	1
2706-08-12	3/4-16	3/4-14	67.9	1-1/8	1-3/8
2706-10-08	7/8-14	1/2-14	69.1	1-1/8	1
2706-12-12	1-1/16-12	3/4-14	74.2	1-3/8	1-3/8
2706-16-16	1-5/16-12	1-11-1/2	78.5	1-5/8	1-5/8
2706-20-20	1-5/8-12	1-1/4-11-1/2	82.6	1-7/8	1-7/8
2706-24-24	1-7/8-12	1-1/2-11-1/2	87.5	2	2-1/8

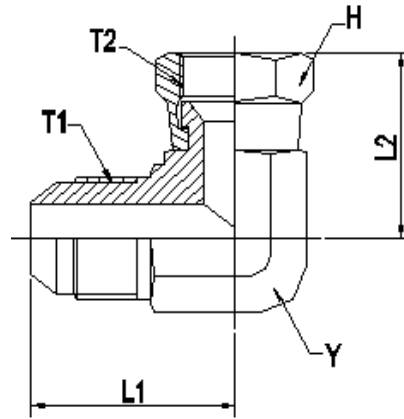
the process quality of sannke parts are assured by **KEYENCE** and **Mitutoyo**'s inspection machine.

Sannke[®]



Fittings & Adapters

6500 SERIES (90° ELBOW)
 (1) 37° MALE TUBE
 (2) 37° FEMALE SWIVEL
 SAE# 070221



PART NUMBER	T1(UNF/UN-2A)	T2(UNF/UN-2B)	L1	L2	Y(INCH)	H(INCH)
6500-02-02	5/16-24	5/16-24	19.6	24.6	7/16	7/16
6500-03-03	3/8-24	3/8-24	21.1	25.4	7/16	1/2
6500-04-04	7/16-20	7/16-20	22.6	25.4	7/16	9/16
6500-05-05	1/2-20	1/2-20	24.1	26.9	9/16	5/8
6500-05-06	1/2-20	9/16-18	26.7	31.8	9/16	11/16
6500-06-04	9/16-18	7/16-20	26.9	25.5	9/16	9/16
6500-06-06	9/16-18	9/16-18	26.9	31.8	9/16	11/16
6500-06-08	9/16-18	3/4-16	29.0	35.1	3/4	7/8
6500-08-06	3/4-16	9/16-18	31.8	31.8	3/4	11/16
6500-08-08	3/4-16	3/4-16	31.8	35.1	3/4	7/8
6500-08-10	3/4-16	7/8-14	33.8	41.3	7/8	1
6500-08-12	3/4-16	1-1/16-12	36.1	45.1	1-1/16	1-1/4
6500-10-08	7/8-14	3/4-16	36.8	39.3	7/8	7/8
6500-10-10	7/8-14	7/8-14	36.8	41.3	7/8	1
6500-12-06	1-1/16-12	9/16-18	42.2	38.1	1-1/16	11/16
6500-12-08	1-1/16-12	3/4-16	42.2	40.1	1-1/16	7/8
6500-12-10	1-1/16-12	7/8-14	42.2	42.9	1-1/16	1
6500-12-12	1-1/16-12	1-1/16-12	42.2	45.1	1-1/16	1-1/4
6500-12-16	1-1/16-12	1-5/16-12	44.7	51.3	1-5/16	1-1/2
6500-14-14	1-3/16-12	1-3/16-12	45.7	49.8	1-5/16	1-3/8
6500-16-16	1-5/16-12	1-5/16-12	46.0	51.3	1-5/16	1-1/2
6500-20-20	1-5/8-12	1-5/8-12	52.3	58.9	1-5/8	2
6500-24-24	1-7/8-12	1-7/8-12	59.2	65.6	1-7/8	2-1/4
6500-32-32	2-1/2-12	2-1/2-12	77.7	87.1	2-1/2	3

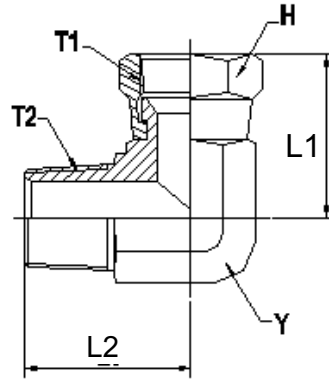
the process quality of sannke parts are assured by **KEYENCE** and **Mitutoyo** 's inspection machine .

Sannke®



Fittings & Adapters

6501 SERIES (90° ELBOW)
 (1) 37° FEMALE SWIVEL
 (2) MALE PIPE
 SAE#



PART NUMBER	T1(UNF/UN-2B)	T2(NPTF)	L1	L2	Y(INCH)	H(INCH)
6501-04-02	7/16-20	1/8-27	24.6	18.3	7/16	9/16
6501-04-04	7/16-20	1/4-18	26.3	27.7	9/16	9/16
6501-04-06	7/16-20	3/8-18	29.8	31.0	3/4	9/16
6501-05-02	1/2-20	1/8-27	27.1	19.8	9/16	5/8
6501-05-04	1/2-20	1/4-18	27.1	27.7	9/16	5/8
6501-06-04	9/16-18	1/4-18	31.8	27.7	9/16	11/16
6501-06-06	9/16-18	3/8-18	31.8	31.0	3/4	11/16
6501-06-08	9/16-18	1/2-14	34.0	37.3	7/8	11/16
6501-08-06	3/4-16	3/8-18	35.1	31.0	3/4	7/8
6501-08-08	3/4-16	1/2-14	35.1	37.3	7/8	7/8
6501-08-12	3/4-16	3/4-14	39.3	40.4	1-1/16	1-1/4
6501-10-08	7/8-14	1/2-14	41.3	37.3	7/8	7/8
6501-12-12	1-1/16-12	3/4-14	45.1	40.4	1-1/16	1-1/4
6501-14-12	1-3/16-12	3/4-14	51.0	42.9	1-5/16	1-3/8
6501-16-16	1-5/16-12	1-11-1/2	51.3	50.0	1-5/16	1-1/2
6501-20-20	1-5/8-12	1-1/4-11-1/2	58.9	60.5	1-5/8	2
6501-24-24	1-7/8-12	1-1/2-11-1/2	65.5	67.1	1-7/8	2-1/4
6501-32-32	2-1/2-12	2-11-1/2	87.1	76.2	2-1/2	3

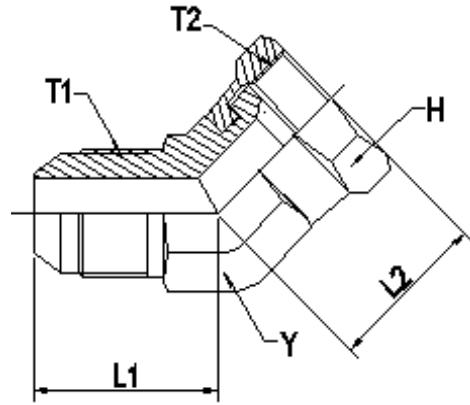
the process quality of sannke parts are assured by **KEYENCE** and **Mitutoyo** 's inspection machine .

Sannke[®]



Fittings & Adapters

6502 SERIES (45° ELBOW)
 (1) 37° MALE TUBE
 (2) 37° FEMALE SWIVEL
 SAE# 070321



PART NUMBER	T1(UNF/UN-2A)	T2(UNF/UN-2B)	L1	L2	Y(INCH)	H(INCH)
6502-04-04	7/16-20	7/16-20	18.3	24.0	7/16	9/16
6502-05-05	1/2-20	1/2-20	19.6	25.5	9/16	5/8
6502-06-06	9/16-18	9/16-18	21.1	28.6	9/16	11/16
6502-08-08	3/4-16	3/4-16	24.9	32.6	3/4	7/8
6502-10-08	7/8-14	3/4-16	28.2	34.0	7/8	7/8
6502-10-10	7/8-14	7/8-14	28.2	34.7	7/8	1
6502-12-12	1-1/16-12	1-1/16-12	32.5	38.7	1-1/16	1-1/4
6502-14-14	1-3/16-12	1-3/16-12	36.8	41.7	1-5/16	1-3/8
6502-16-16	1-5/16-12	1-5/16-12	37.3	45.0	1-5/16	1-1/2
6502-20-20	1-5/8-12	1-5/8-12	40.4	51.8	1-5/8	2
6502-24-24	1-7/8-12	1-7/8-12	45.2	56.6	1-7/8	2-1/4
6502-32-32	2-1/2-12	2-1/2-12	56.4	75.2	2-1/2	3

the process quality of sannke parts are assured by **KEYENCE** and **Mitutoyo** 's inspection machine .

Sannke®



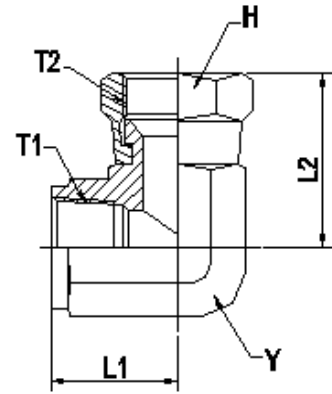
Fittings & Adapters

6503 SERIES

(1) FEMALE PIPE

(2) 37° FEMALE SWIVEL

SAE#



PART NUMBER	T1(NPTF)	T2(UNF/UN-2B)	L1	L2	Y(INCH)	H(INCH)
6503-04-04	1/4-18	7/16-20	22.4	30.0	3/4	9/16
6503-04-06	1/4-18	9/16-18	22.4	32.7	3/4	11/16
6503-06-04	3/8-18	7/16-20	25.9	33.3	7/8	9/16
6503-06-06	3/8-18	9/16-18	25.9	37.8	7/8	11/16
6503-06-08	3/8-18	3/4-16	25.9	38.9	7/8	7/8
6503-08-06	1/2-14	9/16-18	31.2	37.8	1-1/16	11/16
6503-08-08	1/2-14	3/4-16	31.2	39.5	1-1/16	7/8
6503-08-10	1/2-14	7/8-14	31.2	41.3	1-1/16	1
6503-12-12	3/4-14	1-1/16-12	34.5	47.4	1-5/16	1-1/4
6503-16-16	1-11-1/2	1-5/16-12	41.2	57.1	1-5/8	1-1/2
6503-20-20	1-1/4-11-1/2	1-5/8-12	43.2	61.8	1-7/8	2

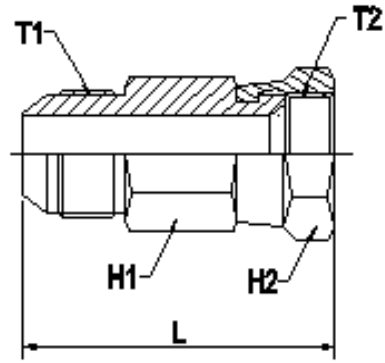
the process quality of sannke parts are assured by **KEYENCE** and **Mitutoyo**'s inspection machine .

Sannke[®]



Fittings & Adapters

6504 SERIES(STRAIGHT UNION)
 (1) 37° MALE TUBE
 (2) 37° FEMALE SWIVEL
 SAE#



PART NUMBER	T1(UNF/UN-2A)	T2(UNF/UN-2B)	L	H1(INCH)	H2(INCH)
6504-04-04	7/16-20	7/16-20	37.9	1/2	9/16
6504-04-06	7/16-20	9/16-18	40.4	1/2	11/16
6504-05-05	1/2-20	1/2-20	39.4	9/16	5/8
6504-06-04	9/16-18	7/16-20	37.5	5/8	9/16
6504-06-06	9/16-18	9/16-18	41.8	5/8	11/16
6504-06-08	9/16-18	3/4-16	44.9	13/16	7/8
6504-06-10	9/16-18	7/8-14	49.3	15/16	1
6504-08-06	3/4-16	9/16-18	45.1	13/16	11/16
6504-08-08	3/4-16	3/4-16	46.5	13/16	7/8
6504-08-10	3/4-16	7/8-14	50.7	15/16	1
6504-08-12	3/4-16	1-1/16-12	56.5	1	1-1/4
6504-10-06	7/8-14	9/16-18	48.1	15/16	11/16
6504-10-08	7/8-14	3/4-16	50.2	15/16	7/8
6504-10-10	7/8-14	7/8-14	53.3	15/16	1
6504-10-12	7/8-14	1-1/16-12	56.7	1	1-1/4
6504-12-08	1-1/16-12	3/4-16	54.9	1-1/8	7/8
6504-12-10	1-1/16-12	7/8-14	57.7	1-1/8	1
6504-12-12	1-1/16-12	1-1/16-12	60.6	1-1/8	1-1/4
6504-16-12	1-5/16-12	1-1/16-12	61.7	1-3/8	1-1/4
6504-16-16	1-5/16-12	1-5/16-12	64.1	1-3/8	1-1/2
6504-20-16	1-5/8-12	1-5/16-12	67.4	1-11/16	1-1/2
6504-20-20	1-5/8-12	1-5/8-12	69.3	1-11/16	2
6504-24-24	1-7/8-12	1-7/8-12	78.1	1-7/8	2-1/4
6504-32-32	2-1/2-12	2-1/2-12	95.6	2-5/8	3

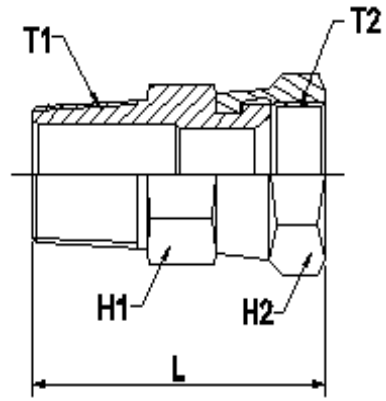
the process quality of sannke parts are assured by **KEYENCE** and **Mitutoyo** 's inspection machine .

Sannke[®]



Fittings & Adapters

6505 SERIES(STRAIGHT)
 (1) MALE PIPE
 (2) 37° FEMALE SWIVEL
 SAE#



PART NUMBER	T1(NPTF)	T2(UNF/UN-2B)	L	H1(INCH)	H2(INCH)
6505-02-02	1/8-27	5/16-24	32.7	7/16	7/16
6505-02-04	1/8-27	7/16-20	33.1	7/16	9/16
6505-04-02	1/4-18	5/16-24	37.5	5/8	7/16
6505-04-04	1/4-18	7/16-20	39.1	5/8	9/16
6505-04-05	1/4-18	1/2-20	40.2	5/8	5/8
6505-04-06	1/4-18	9/16-18	41.8	5/8	11/16
6505-04-08	1/4-18	3/4-16	43.7	3/4	7/8
6505-06-02	3/8-18	5/16-24	40.4	3/4	7/16
6505-06-04	3/8-18	7/16-20	38.5	3/4	9/16
6505-06-06	3/8-18	9/16-18	42.0	3/4	11/16
6505-06-08	3/8-18	3/4-16	44.2	13/16	7/8
6505-06-10	3/8-18	7/8-14	47.9	7/8	1
6505-08-06	1/2-14	9/16-18	47.5	7/8	11/16
6505-08-08	1/2-14	3/4-16	50.8	15/16	7/8
6505-08-10	1/2-14	7/8-14	52.7	15/16	1
6505-08-12	1/2-14	1-1/16-12	57.4	1	1-1/4
6505-12-10	3/4-14	7/8-14	54.5	1-1/8	1
6505-12-12	3/4-14	1-1/16-12	58.1	1-1/8	1-1/4
6505-12-16	3/4-14	1-5/16-12	60.8	1-1/4	1-1/2
6505-16-12	1-11-1/2	1-1/16-12	62.3	1-3/8	1-1/4
6505-16-16	1-11-1/2	1-5/16-12	65.3	1-3/8	1-1/2
6505-20-20	1-1/4-11-1/2	1-5/16-12	69.8	1-11/16	2
6505-24-24	1-1/2-11-1/2	1-7/8-12	76.6	2	2-1/4
6505-32-32	2-11-1/2	2-1/2-12	88.6	2-5/8	3

the process quality of sannke parts are assured by **KEYENCE** and **Mitutoyo**'s inspection machine .

Sannke[®]



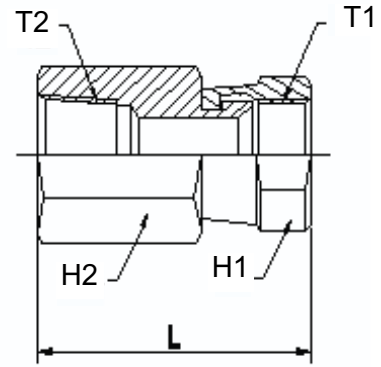
Fittings & Adapters

6506 SERIES(STRAIGHT)

(1) 37° FEMALE SWIVEL

(2) FEMALE PIPE

SAE#



PART NUMBER	T1(UNF/UN-2B)	T2(NPTF)	L	H2(INCH)	H1(INCH)
6506-02-02	5/16-24	1/8-27	27.8	9/16	7/16
6506-02-04	5/16-24	1/4-18	37.5	3/4	7/16
6506-04-02	7/16-20	1/8-27	28.9	9/16	9/16
6506-04-04	7/16-20	1/4-18	42.2	3/4	9/16
6506-05-04	1/2-20	1/4-18	43.7	3/4	5/8
6506-06-04	9/16-18	1/4-18	44.9	3/4	11/16
6506-06-06	9/16-18	3/8-18	44.5	7/8	11/16
6506-06-08	9/16-18	1/2-14	46.9	1-1/8	7/8
6506-08-06	3/4-16	3/8-18	44.4	7/8	7/8
6506-08-08	3/4-16	1/2-14	51.2	1-1/8	7/8
6506-10-06	7/8-14	3/8-18	42.8	7/8	1
6506-10-08	7/8-14	1/2-14	52.9	1-1/8	1
6506-10-12	7/8-14	3/4-14	49.6	1-3/8	1
6506-12-08	1-1/16-12	1/2-14	55.2	1-1/8	1-1/4
6506-12-12	1-1/16-12	3/4-14	60.1	1-3/8	1-1/4
6506-14-12	1-3/16-12	3/4-14	61.3	1-3/8	1-3/8
6506-16-16	1-5/16-12	1-11-1/2	67.4	1-5/8	1-1/2
6506-20-20	1-5/8-12	1-1/4-11-1/2	68.4	2	2
6506-24-24	1-7/8-12	1-1/2-11-1/2	72.6	2-5/16	2-1/4
6506-32-32	2-1/2-12	2-11-1/2	82.5	2-7/8	3

the process quality of sannke parts are assured by **KEYENCE** and **Mitutoyo**'s inspection machine.

Sannke[®]



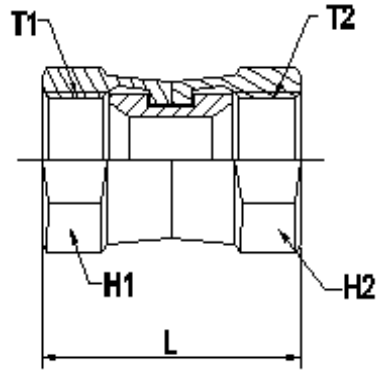
Fittings & Adapters

6565 SERIES(STRAIGHT)

(1) 37° FEMALE SWIVEL

(2) 37° FEMALE SWIVEL

SAE#



PART NUMBER	T1(UNF/UN-2B)	T2(UNF/UN-2B)	L	H1(INCH)	H2(INCH)
6565-04-04	7/16-20	7/16-20	32.8	9/16	9/16
6565-05-05	1/2-20	1/2-20	38.2	5/8	5/8
6565-06-04	9/16-18	7/16-20	36.4	11/16	9/16
6565-06-06	9/16-18	9/16-18	41.3	11/16	11/16
6565-08-06	3/4-16	9/16-18	41.6	7/8	11/16
6565-08-08	3/4-16	3/4-16	45.1	7/8	7/8
6565-10-08	7/8-14	3/4-16	46.8	1	7/8
6565-10-10	7/8-14	7/8-14	50.6	1	1
6565-12-12	1-1/16-12	1-1/16-12	56.5	1-1/4	1-1/4
6565-14-14	1-3/16-12	1-3/16-12	58.9	1-3/8	1-3/8
6565-16-16	1-5/16-12	1-5/16-12	61.2	1-1/2	1-1/2
6565-20-20	1-5/8-12	1-5/8-12	64.8	2	2
6565-24-24	1-7/8-12	1-7/8-12	72.8	2-1/4	2-1/4
6565-32-32	2-1/2-12	2-1/2-12	87.9	3	3

the process quality of sannke parts are assured by **KEYENCE** and **Mitutoyo**'s inspection machine.

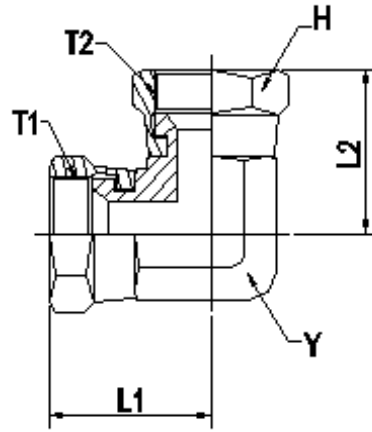
Sannke[®]



Fittings & Adapters

6566 SERIES(90° ELBOW)
 (1) , (2) 37° FEMALE SWIVEL

SAE#



PART NUMBER	T1(UNF/UN-2B)	T2(UNF/UN-2B)	L1	L2	Y(INCH)	H(INCH)
6566-04-04	7/16-20	7/16-20	24.5	24.5	7/16	9/16
6566-05-05	1/2-20	1/2-20	27.0	27.0	9/16	5/8
6566-06-06	9/16-18	9/16-18	32.0	32.0	9/16	11/16
6566-08-08	3/4-16	3/4-16	35.1	35.1	3/4	7/8
6566-10-10	7/8-14	7/8-14	41.3	41.3	7/8	1
6566-12-12	1-1/16-12	1-1/16-12	45.0	45.0	1-1/16	1-1/4
6566-16-16	1-5/16-12	1-5/16-12	51.4	51.4	1-5/16	1-1/2

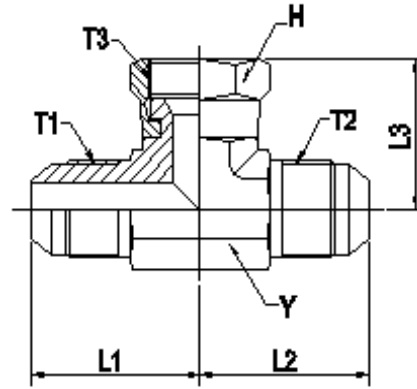
the process quality of sannke parts are assured by **KEYENCE** and **Mitutoyo** 's inspection machine .

Sannke®



Fittings & Adapters

6600 SERIES(TEE)
 (1) , (2) 37° MALE TUBE
 (3) 37° FEMALE SWIVEL
 SAE# 070433



PART NUMBER	T1T2(UNF/UN-2A)	T3(UNF/UN-2B)	L1(L2)	L3	Y(INCH)	H(INCH)
6600-03-03-03	3/8-24	3/8-24	21.2	25.4	7/16	1/2
6600-04-04-04	7/16-20	7/16-20	22.6	25.4	7/16	9/16
6600-05-05-05	1/2-20	1/2-20	24.1	27.0	9/16	5/8
6600-06-06-06	9/16-18	9/16-18	26.9	31.8	9/16	11/16
6600-08-08-08	3/4-16	3/4-16	31.8	35.1	3/4	7/8
6600-10-10-10	7/8-14	7/8-14	36.8	41.2	7/8	1
6600-12-12-12	1-1/16-12	1-1/16-12	42.2	45.0	1-1/16	1-1/4
6600-14-14-14	1-3/16-12	1-3/16-12	45.7	50.9	1-5/16	1-3/8
6600-16-16-16	1-5/16-12	1-5/16-12	46.0	50.9	1-5/16	1-1/2
6600-20-20-20	1-5/8-12	1-5/8-12	52.3	58.7	1-5/8	2
6600-24-24-24	1-7/8-12	1-7/8-12	59.2	65.8	1-7/8	2-1/4
6600-32-32-32	2-1/2-12	2-1/2-12	77.7	87.1	2-1/2	3

the process quality of sannke parts are assured by **KEYENCE** and **Mitutoyo** 's inspection machine .

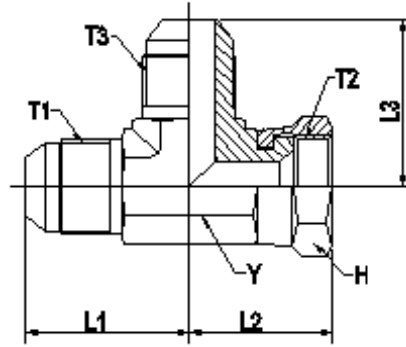
Sannke[®]



Fittings & Adapters

6602 SERIES(TEE)

- (1) , (3) 37° MALE TUBE
- (2) 37° FEMALE SWIVEL
- SAE# 070432



PART NUMBER	T1(UNF/UN-2A)	T2(UNF/UN-2B)	T3(UNF/UN-2A)	L1	L2	L3	Y(INCH)	H(INCH)
6602-03-03-03	3/8-24	3/8-24	3/8-24	21.1	25.4	21.1	7/16	1/2
6602-04-04-04	7/16-20	7/16-20	7/16-20	26.6	25.4	26.6	7/16	9/16
6602-05-05-05	1/2-20	1/2-20	1/2-20	24.1	27.0	24.1	9/16	5/8
6602-06-06-04	9/16-18	9/16-18	7/16-20	26.9	31.8	26.6	9/16	9/16
6602-06-06-06	9/16-18	9/16-18	9/16-18	26.9	31.8	26.9	9/16	11/16
6602-08-08-08	3/4-16	3/4-16	3/4-16	31.8	35.1	31.8	3/4	7/8
6602-08-08-12	3/4-16	3/4-16	1-1/16-12	36.1	39.5	42.2	1-1/16	1-1/4
6602-10-10-10	7/8-14	7/8-14	7/8-14	36.8	41.2	36.8	7/8	1
6602-12-12-12	1-1/16-12	1-1/16-12	1-1/16-12	42.2	45.0	42.2	1-1/16	1-1/4
6602-14-14-14	1-3/16-12	1-3/16-12	1-3/16-12	45.7	50.9	45.7	1-5/16	1-3/8
6602-16-16-16	1-5/16-12	1-5/16-12	1-5/16-12	46.0	50.9	46.0	1-5/16	1-1/2
6602-20-20-20	1-5/8-12	1-5/8-12	1-5/8-12	52.3	58.7	52.3	1-5/8	2
6602-24-24-24	1-7/8-12	1-7/8-12	1-7/8-12	59.2	65.8	59.2	1-7/8	2-1/4
6602-32-32-32	2-1/2-12	2-1/2-12	2-1/2-12	77.7	87.1	77.7	2-1/2	3

the process quality of sannke parts are assured by **KEYENCE** and **Mitutoyo** 's inspection machine .

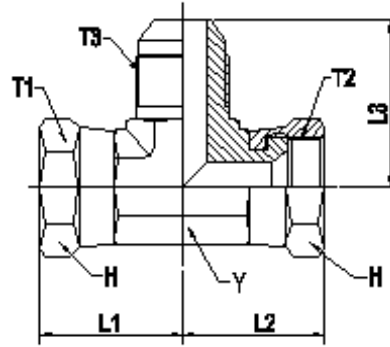
Fittings & Adapters

6603 SERIES

(1) , (2) 37° FEMALE SWIVEL

(3) 37° MALE TUBE

SAE#



PART NUMBER	T1(UNF/UN-2A)	T2(UNF/UN-2B)	T3(UNF/UN-2A)	L1	L2	L3	Y(INCH)	H(INCH)
6603-04-04-04	7/16-20	7/16-20	7/16-20	25.40	25.40	22.61	7/16	9/16
6603-06-06-06	9/16-18	9/16-18	9/16-18	31.80	31.80	26.92	9/16	11/16
6603-08-08-08	3/4-16	3/4-16	3/4-16	35.10	35.10	31.75	3/4	7/8
6603-10-10-10	7/8-14	7/8-14	7/8-14	41.20	41.20	36.83	7/8	1
6603-12-12-12	1-1/16-12	1-1/16-12	1-1/16-12	45.00	45.00	42.16	1-1/16	1-1/4
6602-16-16-16	1-5/16-12	1-5/16-12	1-5/16-12	50.90	50.90	45.97	1-5/16	1-1/2

the process quality of sannke parts are assured by **KEYENCE** and **Mitutoyo** 's inspection machine .

Sannke®

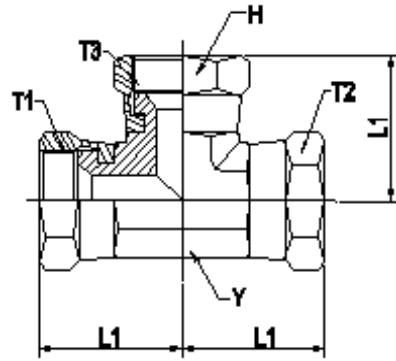


Fittings & Adapters

6606 SERIES

(1) ,(2)& (3)37° FEMALE SWIVEL

SAE#



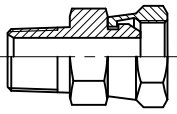
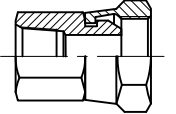
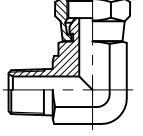
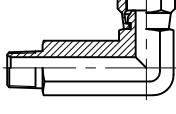
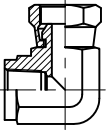
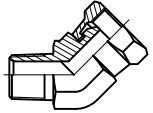
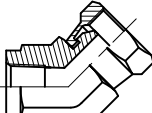
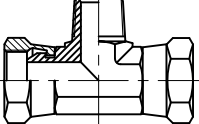
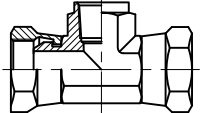
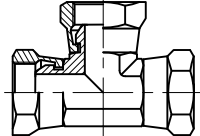
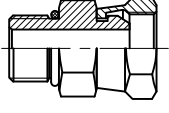
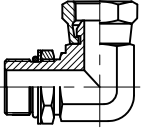
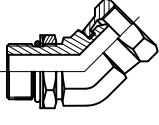
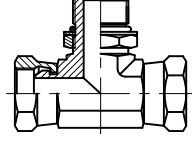
PART NUMBER	T1.T2.T3(UNF/UN-2B)	L1	Y(INCH)	H(INCH)
6606-04-04-04	7/16-20	25.4	7/16	9/16
6606-05-05-05	1/2-20	27.0	9/16	5/8
6606-06-06-06	9/16-18	31.8	9/16	11/16
6606-08-08-08	3/4-16	35.1	3/4	7/8
6606-10-10-10	7/8-14	41.2	7/8	1
6606-12-12-12	1-1/1-12	45.0	1-1/16	1-1/4
6606-16-16-16	1-5/16-12	50.9	1-5/16	1-1/2

the process quality of sannke parts are assured by **KEYENCE** and **Mitutoyo** 's inspection machine .

Sannke[®]



ADAPTER UNIONS PRODUCT INDEX

(140130)  1404 (1) MALE PIPE (2) FEMALE PIPE SWIVEL P63	(140131)  1405 (1) FEMALE PIPE (2) FEMALE PIPE SWIVEL P64	(140230)  1501 (1) MALE PIPE (3) FEMALE PIPE SWIVEL P65	 1501-LL (1) MALE PIPE (2) FEMALE PIPE SWIVEL P66	(140231)  1502 (1) FEMALE PIPE (2) FEMALE PIPE SWIVEL P67
(140330)  1503 (1) MALE PIPE (2) FEMALE PIPE SWIVEL P68	(140331)  1504 (1) FEMALE PIPE (2) FEMALE PIPE SWIVEL P69	 1601 (1) MALE PIPE (2)-(3) FEMALE PIPE SWIVEL P70	 1602 (1) FEMALE PIPE (2)&(3) FEMALE PIPE SWIVEL P71	(070701)  1603 (1)-(3) FEMALE PIPE SWIVEL P72
(140157)  6900 (1) O-RING BOSS (2) FEMALE PIPE SWIVEL P73	(140257)  6901 (1) ADJUSTABLE O-RING (2) FEMALE PIPE SWIVEL P74	(140357)  6902 (1) ADJUSTABLE O-RING (2) FEMALE PIPE SWIVEL P75	 6911 (1) ADJUSTABLE O-RING (2)&(3) FEMALE PIPE SWIVEL P76	

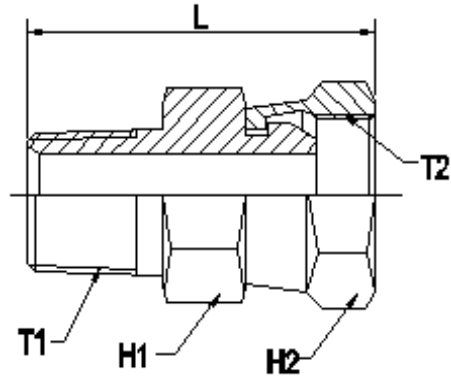
Fittings & Adapters

1404 SERIES

(1) MALE PIPE

(2) FEMALE PIPE SWIVEL

SAE# 140130



PART NUMBER	T1(NPTF)	T2(NPSM)	L	H1(INCH)	H2(INCH)
1404-02-02	1/8-27	1/8-27	28.4	9/16	9/16
1404-02-04	1/8-27	1/4-18	36.5	11/16	11/16
1404-04-02	1/4-18	1/8-27	32.9	11/16	9/16
1404-04-04	1/4-18	1/4-18	37.8	11/16	11/16
1404-04-06	1/4-18	3/8-18	39.5	7/8	7/8
1404-04-08	1/4-18	1/2-14	43.2	7/8	1
1404-06-04	3/8-18	1/4-18	38.5	7/8	11/16
1404-06-06	3/8-18	3/8-18	39.5	7/8	7/8
1404-06-08	3/8-18	1/2-14	46.1	7/8	1
1404-08-04	1/2-14	1/4-18	43.6	7/8	11/16
1404-08-06	1/2-14	3/8-18	46.1	1	7/8
1404-08-08	1/2-14	1/2-14	49.6	1	1
1404-08-12	1/2-14	3/4-14	51.8	1-1/4	1-1/4
1404-08-16	1/2-14	1-11-1/2	55.7	1-1/4	1-1/2
1404-12-02	3/4-14	1/8-27	41.1	1-1/4	9/16
1404-12-06	3/4-14	3/8-18	46.1	1-1/4	7/8
1404-12-08	3/4-14	1/2-14	49.6	1-1/4	1
1404-12-12	3/4-14	3/4-14	51.8	1-1/4	1-1/4
1404-12-16	3/4-14	1-11-1/2	54.8	1-3/8	1-1/2
1404-16-08	1-11-1/2	1/2-14	53	1-3/8	1
1404-16-12	1-11-1/2	3/4-14	58.1	1-1/2	1-1/4
1404-16-16	1-11-1/2	1-11-1/2	60.6	1-1/2	1-1/2
1404-16-20	1-11-1/2	1-1/4-11-1/2	63.1	1-5/8	1-7/8
1404-20-16	1-1/4-11-1/2	1-11-1/2	62.8	1-7/8	1-1/2
1404-20-20	1-1/4-11-1/2	1-1/4-11-1/2	67.1	1-7/8	1-7/8
1404-20-24	1-1/4-11-1/2	1-1/2-11-1/2	70.2	2-1/8	2-1/8
1404-24-20	1-1/2-11-1/2	1-1/4-11-1/2	66.3	2-1/8	1-7/8
1404-24-24	1-1/2-11-1/2	1-1/2-11-1/2	72.8	2-1/8	2-1/8
1404-32-32	2-11-1/2	2-11-1/2	73.4	2-5/8	2-5/8

the process quality of sannke parts are assured by **KEYENCE** and **Mitutoyo**'s inspection machine .

Sannke[®]



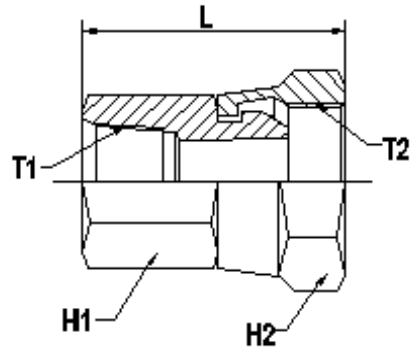
Fittings & Adapters

1405 SERIES

(1) FEMALE PIPE

(2) FEMALE PIPE SWIVEL

SAE# 140131



PART NUMBER	T1(NPTF)	T2(NPSM)	L	H1(INCH)	H2(INCH)
1405-02-02	1/8-27	1/8-27	27.4	9/16	9/16
1405-02-04	1/8-27	1/8-27	31.4	9/16	11/16
1405-04-02	1/4-18	1/4-18	33.2	11/16	9/16
1405-04-04	1/4-18	1/4-18	39.8	11/16	11/16
1405-04-06	1/4-18	1/4-18	37	11/16	7/8
1405-04-08	1/4-18	1/4-18	40.3	7/8	1
1405-06-04	3/8-18	3/8-18	39.5	7/8	11/16
1405-06-06	3/8-18	3/8-18	38	7/8	7/8
1405-06-08	3/8-18	3/8-18	44.1	7/8	1
1405-08-04	1/2-14	1/2-14	43.1	1	11/16
1405-08-06	1/2-14	1/2-14	43.1	1	7/8
1405-08-08	1/2-14	1/2-14	46.6	1	1
1405-08-12	1/2-14	1/2-14	48.8	1-1/4	1-1/4
1405-12-08	3/4-14	3/4-14	51.6	1-1/4	1
1405-12-12	3/4-14	3/4-14	53.7	1-1/4	1-1/4
1405-12-16	3/4-14	3/4-14	56.2	1-3/8	1-1/2
1405-16-12	1-11-1/2	1-11-1/2	58.7	1-1/2	1-1/4
1405-16-16	1-11-1/2	1-11-1/2	61.1	1-1/2	1-1/2
1405-20-20	1-1/4-11-1/2	1-1/4-11-1/2	63.3	1-7/8	1-7/8
1405-24-24	1-1/2-11-1/2	1-1/2-11-1/2	66.4	2-1/8	2-1/8
1405-32-32	2-11-1/2	2-11-1/2	65.2	2-5/8	2-5/8

the process quality of sannke parts are assured by **KEYENCE** and **Mitutoyo**'s inspection machine .

Sannke[®]



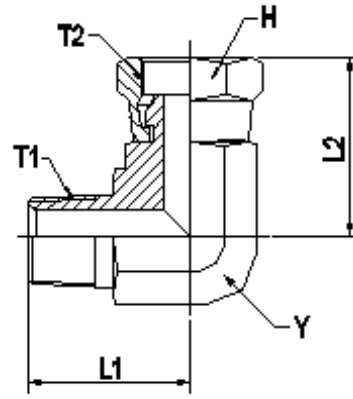
Fittings & Adapters

1501 SERIES(90° ELBOW)

(1) MALE PIPE

(2) FEMALE PIPE SWIVEL

SAE# 140230



PART NUMBER	T1(NPTF)	T2(NPSM)	L1	L2	H1(INCH)	H2(INCH)
1501-02-02	1/8-27	1/8-27	19.8	22.2	7/16	9/16
1501-02-04	1/8-27	1/4-18	26.9	24.9	9/16	11/16
1501-04-02	1/4-18	1/8-27	27.7	22.2	9/16	9/16
1501-04-04	1/4-18	1/4-18	27.7	24.9	9/16	11/16
1501-04-06	1/4-18	3/8-18	31	29.4	3/4	7/8
1501-04-08	1/4-18	1/2-14	32.5	34.6	7/8	1
1501-06-04	3/8-18	1/4-18	31	28.7	3/4	11/16
1501-06-06	3/8-18	3/8-18	31	29.4	3/4	7/8
1501-06-08	3/8-18	1/2-14	37.3	35.5	7/8	1
1501-06-12	3/8-18	3/4-14	39.6	44.2	1-1/16	1-1/4
1501-08-04	1/2-14	1/4-18	37.3	30.7	7/8	11/16
1501-08-06	1/2-14	3/8-18	37.3	31.7	7/8	7/8
1501-08-08	1/2-14	1/2-14	37.3	35.5	7/8	1
1501-08-12	1/2-14	3/4-14	40.4	44.2	1-1/16	1-1/4
1501-12-04	3/4-14	1/4-18	40.4	33.2	1-1/16	11/16
1501-12-06	3/4-14	3/8-18	40.4	33.8	1-1/16	7/8
1501-12-08	3/4-14	1/2-14	40.4	33.8	1-1/16	1
1501-12-12	3/4-14	3/4-14	40.4	44.2	1-1/16	1-1/4
1501-12-16	3/4-14	1-11-1/2	50.0	48.0	1-5/16	1-1/2
1501-12-20	3/4-14	1-1/4-11-1/2	54.9	55.1	1-5/8	1-7/8
1501-16-08	1-11-1/2	1/2-14	50.0	43.0	1-5/16	1
1501-16-12	1-11-1/2	3/4-14	50.0	44.2	1-5/16	1-1/4
1501-16-16	1-11-1/2	1-11-1/2	50.0	48.0	1-5/16	1-1/2
1501-16-20	1-11-1/2	1-1/4-11-1/2	59.7	55.1	1-5/8	1-7/8
1501-20-12	1-1/4-11-1/2	3/4-14	60.5	16.3	1-5/8	1-1/4
1501-20-16	1-1/4-11-1/2	1-11-1/2	60.5	48.5	1-5/8	1-1/2
1501-20-20	1-1/4-11-1/2	1-1/4-11-1/2	60.5	58.0	1-5/8	1-1/4
1501-20-24	1-1/4-11-1/2	1-1/2-11-1/2	67.1	59.0	1-7/8	2-1/8
1501-24-20	1-1/2-11-1/2	1-1/4-11-1/2	67.1	58.3	1-7/8	1-7/8
1501-24-24	1-1/2-11-1/2	1-1/2-11-1/2	67.1	59.0	1-7/8	2-1/8
1501-32-32	2-11-1/2	2-11-1/2	76.2	68.7	2-1/2	2-5/8

the process quality of sannke parts are assured by **KEYENCE** and **Mitutoyo**'s inspection machine.

Sannke[®]



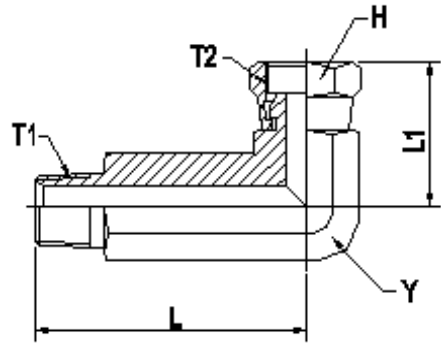
Fittings & Adapters

1501-LL SERIES(90° ELBOW)

(1) MALE PIPE

(2) FEMALE PIPE SWIVEL

SAE#



PART NUMBER	T1(NPTF)	T2(NPSM)	L	L1	Y(INCH)	H(INCH)
1501-LL-02-02	1/8-27	1/8-27	41.7	22.2	7/16	9/16
1501-LL-04-04	1/4-18	1/4-18	57.2	28.6	9/16	11/16
1501-LL-06-06	3/8-18	3/8-18	70.1	33.7	3/4	7/8
1501-LL-08-08	1/2-14	1/2-14	81.0	35.5	7/8	1
1501-LL-12-12	3/4-14	3/4-14	93.0	44.2	1-1/16	1-1/4
1501-LL-16-16	1-11-1/2	1-11-1/2	110.	48.0	1-5/16	1-1/2

the process quality of sannke parts are assured by **KEYENCE** and **Mitutoyo** 's inspection machine .

Sannke®



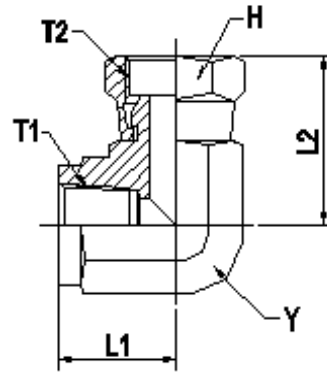
Fittings & Adapters

1502 SERIES(90° ELBOW)

(1) FEMALE PIPE

(2) FEMALE PIPE SWIVEL

SAE# 140231



PART NUMBER	T1(NPTF)	T2(NPSM)	L1	L2	Y(INCH)	H(INCH)
1502-02-02	1/8-27	1/8-27	16.8	23.8	9/16	9/16
1502-02-04	1/8-27	1/4-18	16.8	28.7	9/16	11/16
1502-04-02	1/4-18	1/8-27	22.4	24.1	3/4	9/16
1502-04-04	1/4-18	1/4-18	22.4	28.2	3/4	11/16
1502-04-06	1/4-18	3/8-18	22.4	29.2	3/4	7/8
1502-06-04	3/8-18	1/4-18	25.9	30.0	7/8	11/16
1502-06-06	3/8-18	3/8-18	25.9	31.0	7/8	7/8
1502-06-08	3/8-18	1/2-14	25.9	35.6	7/8	1
1502-08-04	1/2-14	1/4-18	31.2	33.3	1-1/16	11/16
1502-08-06	1/2-14	3/8-18	31.2	34.3	1-1/16	7/8
1502-08-08	1/2-14	1/2-14	31.2	37.8	1-1/16	1
1502-08-12	1/2-14	3/4-14	31.2	40.0	1-1/16	1-1/4
1502-12-08	3/4-14	1/2-14	34.5	42.0	1-5/16	1
1502-12-12	3/4-14	3/4-14	34.5	46.2	1-5/16	1-1/4
1502-12-16	3/4-14	1-11-1/2	34.6	46.5	1-5/16	1-1/2
1502-16-12	1-11-1/2	3/4-14	41.2	48.5	1-5/8	1-1/4
1502-16-16	1-11-1/2	1-11-1/2	41.2	51.0	1-5/8	1-1/2
1502-20-16	1-1/4-11-1/2	1-11-1/2	43.2	55.2	1-7/8	1-1/2
1502-20-20	1-1/4-11-1/2	1-1/4-11-1/2	43.2	57.3	1-7/8	1-7/8
1502-24-24	1-1/2-11-1/2	1-1/2-11-1/2	52.8	72.0	2-1/2	2-1/8
1502-32-32	2-11-1/2	2-11-1/2	60.7	76.0	2-13/16	2-5/8

the process quality of sannke parts are assured by **KEYENCE** and **Mitutoyo**'s inspection machine.

Sannke[®]



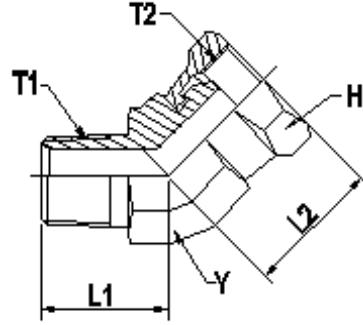
Fittings & Adapters

1503 SERIES(45° ELBOW)

(1) MALE PIPE

(2) FEMALE PIPE SWIVEL

SAE# 140330



PART NUMBER	T1(NPTF)	T2(NPSM)	L1	L2	Y(INCH)	H(INCH)
1503-02-02	1/8-27	1/8-27	16.3	16.2	7/16	9/16
1503-02-04	1/8-27	1/4-18	16.3	21.1	9/16	11/16
1503-04-02	1/4-18	1/8-27	21.8	17.0	9/16	9/16
1503-04-04	1/4-18	1/4-18	21.8	21.1	9/16	11/16
1503-04-06	1/4-18	3/8-18	24.1	24.2	3/4	7/8
1503-04-08	1/4-18	1/2-14	24.1	29.0	7/8	1
1503-06-04	3/8-18	1/4-18	24.1	22.7	3/4	11/16
1503-06-06	3/8-18	3/8-18	24.1	23.7	3/4	7/8
1503-06-08	3/8-18	1/4-18	24.1	29.0	7/8	1
1503-08-04	1/2-14	1/2-14	29.7	23.4	7/8	11/16
1503-08-06	1/2-14	3/8-18	29.7	25.4	7/8	7/8
1503-08-08	1/2-14	1/2-14	29.7	29.0	7/8	1
1503-08-12	1/2-14	3/4-14	29.7	31.6	1-1/16	1-1/4
1503-12-06	3/4-14	3/8-18	30.5	27.0	1-1/16	7/8
1503-12-08	3/4-14	1/2-14	30.5	30.6	1-1/16	1
1503-12-12	3/4-14	3/4-14	30.5	31.6	1-1/16	1-1/4
1503-12-16	3/4-14	1-11-1/2	33.0	37.2	1-5/16	1-1/2
1503-16-12	1-11-1/2	3/4-14	37.6	33.6	1-5/16	1-1/4
1503-16-16	1-11-1/2	1-11-1/2	37.6	37.2	1-5/16	1-1/2
1503-16-20	1-11-1/2	1-1/4-11-1/2	42.4	42.6	1-5/8	1-7/8
1503-20-16	1-1/4-11-1/2	1-11-1/2	42.4	39.6	1-5/8	1-1/2
1503-20-20	1-1/4-11-1/2	1-1/4-11-1/2	42.4	42.6	1-5/8	1-7/8
1503-24-24	1-1/2-11-1/2	1-1/2-11-1/2	45.0	47.6	1-7/8	2-1/8
1503-32-32	2-11-1/2	2-11-1/2	53.6	52.1	2-1/2	2-5/8

the process quality of sannke parts are assured by **KEYENCE** and **Mitutoyo**'s inspection machine .

Sannke®



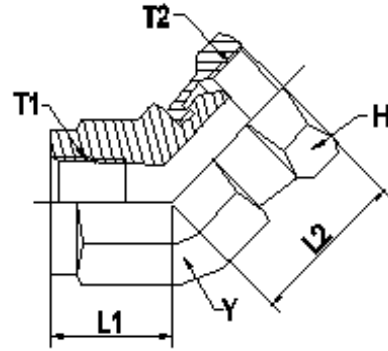
Fittings & Adapters

1504 SERIES(45° ELBOW)

(1) FEMALE PIPE

(2) FEMALE PIPE SWIVEL

SAE# 140331



PART NUMBER	T1(NPTF)	T2(NPSM)	L1	L2	Y(INCH)	H(INCH)
1504-02-02	1/8-27	1/8-27	11.9	17.5	9/16	9/16
1504-02-04	1/8-27	1/4-18	11.9	21.5	9/16	11/16
1504-04-04	1/4-18	1/4-18	16.3	23.1	3/4	11/16
1504-04-06	1/4-18	3/8-18	17.5	24.2	3/4	7/8
1504-06-04	3/8-18	1/4-18	18.3	24.4	7/8	11/16
1504-06-06	3/8-18	3/8-18	18.3	25.4	7/8	7/8
1504-06-08	3/8-18	1/2-14	18.3	29.0	7/8	1
1504-08-06	1/2-14	3/8-18	23.1	27.0	1-1/16	7/8
1504-08-08	1/2-14	1/2-14	23.1	30.6	1-1/16	1
1504-12-08	3/4-14	1/2-14	24.6	32.6	1-5/16	1
1504-12-12	3/4-14	3/4-14	24.6	33.7	1-5/16	1-1/4
1504-16-12	1-11-1/2	3/4-14	28.5	36.1	1-5/8	1-1/4
1504-16-16	1-11-1/2	1-11-1/2	28.5	39.6	1-5/8	1-1/2
1504-20-20	1-1/4-11-1/2	1-1/4-11-1/2	41.4	44.6	1-7/8	1-7/8
1504-24-24	1-1/2-11-1/2	1-1/2-11-1/2	42.9	53.0	2-9/16	2-1/8
1504-32-32	2-11-1/2	2-11-1/2	55.6	54.9	2-13/16	2-5/8

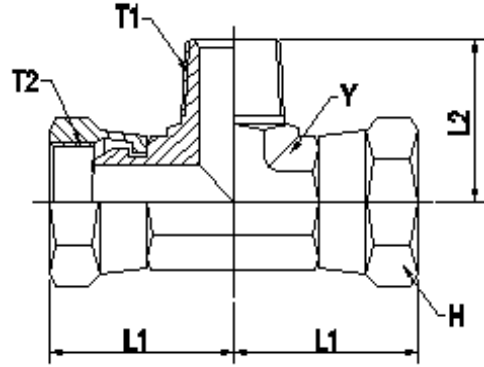
the process quality of sannke parts are assured by **KEYENCE** and **Mitutoyo**'s inspection machine .

Sannke[®]



Fittings & Adapters

1601 SERIES(TEE)
 (1) MALE PIPE
 (2)& (3) FEMALE PIPE SWIVEL
 SAE#



PART NUMBER	T1(NPTF)	T2(NPSM)	L1	L2	Y(INCH)	H(INCH)
1601-02-02-02	1/8-27	1/8-27	18.3	21.3	7/16	9/16
1601-04-04-04	1/4-18	1/4-18	27.7	28.6	9/16	11/16
1601-04-06-06	1/4-18	3/8-18	27.7	29.3	3/4	7/8
1601-06-04-04	3/8-18	1/4-18	31.0	28.6	3/4	11/16
1601-06-06-06	3/8-18	3/8-18	31.0	30.3	3/4	7/8
1601-06-08-08	3/8-18	1/2-14	31.0	35.2	7/8	1
1601-08-04-04	1/2-14	1/4-18	37.3	31.0	7/8	11/16
1601-08-06-06	1/2-14	3/8-18	37.3	32.0	7/8	7/8
1601-08-08-08	1/2-14	1/2-14	37.3	32.7	7/8	1
1601-12-08-08	3/4-14	1/2-14	40.4	35.2	1-1/16	1
1601-12-12-12	3/4-14	3/4-14	40.4	39.9	1-1/16	1-1/4
1601-12-16-16	3/4-14	1-11-1/2	50.0	46.6	1-5/16	1-1/2
1601-16-12-12	1-11-1/2	3/4-14	50.0	44.0	1-5/16	1-1/4
1601-16-16-16	1-11-1/2	1-11-1/2	50.0	47.9	1-5/16	1-1/2
1601-20-20-20	1-1/4-11-1/2	1-1/4-11-1/2	60.5	58.0	1-5/8	1-7/8
1601-24-24-24	1-1/2-11-1/2	1-1/2-11-1/2	67.1	59.5	1-7/8	2-1/8

the process quality of sannke parts are assured by **KEYENCE** and **Mitutoyo**'s inspection machine.

Sannke[®]



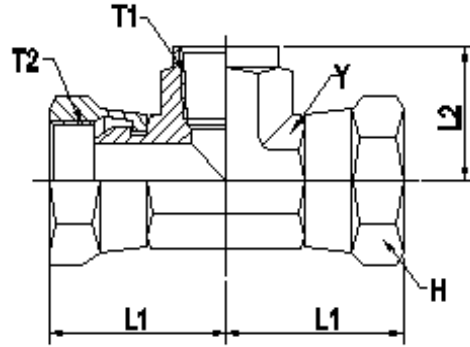
Fittings & Adapters

1602 SERIES

(1) FEMALE PIPE

(2)& (3) FEMALE PIPE SWIVEL

SAE#



PART NUMBER	T1(NPTF)	T2(NPSM)	L1	L2	Y(INCH)	H(INCH)
1602-02-02-02	1/8-27	1/8-27	16.8	23.8	9/16	9/16
1602-04-04-04	1/4-18	1/4-18	22.4	29.8	3/4	11/16
1602-06-04-04	3/8-18	1/4-18	25.9	29.8	7/8	11/16
1602-06-06-06	3/8-18	3/8-18	25.9	32.2	7/8	7/8
1602-08-06-06	1/2-14	3/8-18	31.2	35.0	1-1/16	7/8
1602-08-08-08	1/2-14	1/2-14	31.2	38.6	1-1/16	1
1602-12-08-08	3/4-14	1/2-14	34.5	45.2	1-5/16	1
1602-12-12-12	3/4-14	3/4-14	34.5	44.1	1-5/16	1-1/4
1602-16-12-12	1-11-1/2	3/4-14	41.2	49.0	1-5/8	1-1/4
1602-16-16-16	1-11-1/2	1-11-1/2	41.2	52.8	1-5/8	1-1/2
1602-20-20-20	1-1/4-11-1/2	1-1/4-11-1/2	43.1	57.1	1-7/8	1-7/8
1602-24-24-24	1-1/2-11-1/2	1-1/2-11-1/2	52.8	72.2	2-5/8	2-1/8

the process quality of sannke parts are assured by **KEYENCE** and **Mitutoyo**'s inspection machine .

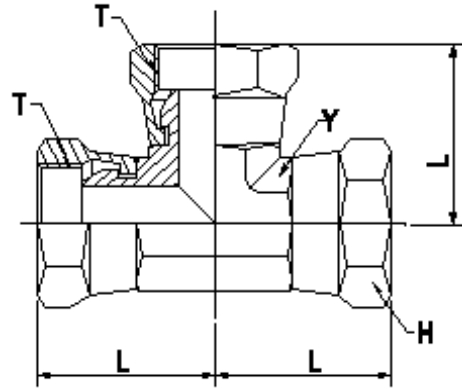
Sannke[®]



Fittings & Adapters

1603 SERIES
(1) ,(2)&(3) FEMALE PIPE SWIVEL

SAE#



PART NUMBER	T(NPSM)	L	Y(INCH)	H(INCH)
1603-02-02-02	1/8-27	21.3	7/16	9/16
1603-04-04-04	1/4-18	28.6	9/16	11/16
1603-06-06-06	3/8-18	30.4	3/4	7/8
1603-08-08-08	1/2-14	35.2	7/8	1
1603-12-12-12	3/4-14	41.8	1-1/16	1-1/4
1603-16-16-16	1-11-1/2	48.0	1-5/16	1-1/2
1603-20-20-20	1-1/4-11-1/2	57.1	1-5/8	1-7/8

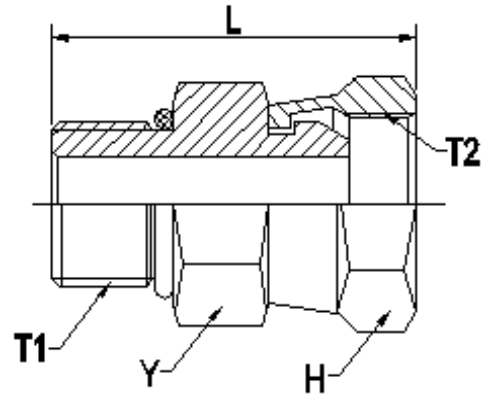
the process quality of sannke parts are assured by **KEYENCE** and **Mitutoyo** 's inspection machine .

Sannke[®]



Fittings & Adapters

6900 SERIES (STRAIGHT UNION)
 (1),O-RING BOSS
 (2) FEMALE PIPE SWIVEL
 SAE# 140157



PART NUMBER	T1(UNF/UN-2A)	T2(NPSM)	L	Y(INCH)	H(INCH)
6900-04-02-O	7/16-20	1/8-27	30.4	9/16	9/16
6900-04-04-O	7/16-20	1/4-18	31.9	9/16	11/16
6900-04-06-O	7/16-20	3/8-18	34.5	5/8	7/8
6900-04-08-O	7/16-20	1/2-14	37.8	13/16	1
6900-05-04-O	1/2-20	1/4-18	31.9	5/8	11/16
6900-05-06-O	1/2-20	3/8-18	34.5	5/8	7/8
6900-05-08-O	1/2-20	1/2-14	37.8	13/16	1
6900-06-04-O	9/16-18	1/4-18	33.6	11/16	11/16
6900-06-06-O	9/16-18	3/8-18	36.4	11/16	7/8
6900-06-08-O	9/16-18	1/2-14	39.2	13/16	1
6900-08-04-O	3/4-16	1/4-18	35.6	7/8	11/16
6900-08-06-O	3/4-16	3/8-18	36.7	7/8	7/8
6900-08-08-O	3/4-16	1/2-14	40.2	7/8	1
6900-08-12-O	3/4-16	3/4-14	44.6	1	1-1/4
6900-10-04-O	7/8-14	1/4-18	38.6	1	11/16
6900-10-06-O	7/8-14	3/8-18	39.8	1	7/8
6900-10-08-O	7/8-14	1/2-14	43.2	1	1
6900-10-12-O	7/8-14	3/4-14	46.0	1	1-1/4
6900-12-06-O	1-1/16-12	3/8-18	43.8	1-1/4	7/8
6900-12-08-O	1-1/16-12	1/2-14	44.0	1-1/4	1
6900-12-12-O	1-1/16-12	3/4-14	48.5	1-1/4	1-1/4
6900-12-16-O	1-1/16-12	1-11-1/2	52.5	1-1/4	1-1/2
6900-14-12-O	1-3/16-12	3/4-14	48.2	1-3/8	1-1/4
6900-14-16-O	1-3/16-12	1-11-1/2	52.5	1-3/8	1-1/2
6900-16-12-O	1-5/16-12	3/4-14	49.0	1-1/2	1-1/4
6900-16-16-O	1-5/16-12	1-11-1/2	52.5	1-1/2	1-1/2
6900-16-20-O	1-5/16-12	1-1/4-11-1/2	57.6	1-11/16	1-7/8
6900-20-12-O	1-5/8-12	3/4-14	51.1	1-7/8	1-1/4
6900-20-16-O	1-5/8-12	1-11-1/2	54.6	1-7/8	1-1/2
6900-20-20-O	1-5/8-12	1-1/4-11-1/2	57.6	1-7/8	1-7/8
6900-24-20-O	1-7/8-12	1-1/4-11-1/2	59.4	2-1/8	1-7/8
6900-24-24-O	1-7/8-12	1-1/2-11-1/2	62.6	2-1/8	2-1/8
6900-32-32-O	2-1/2-12	2-11-1/2	66.7	2-3/4	2-5/8

the process quality of sannke parts are assured by **KEYENCE** and **Mitutoyo**'s inspection machine.

Sannke[®]



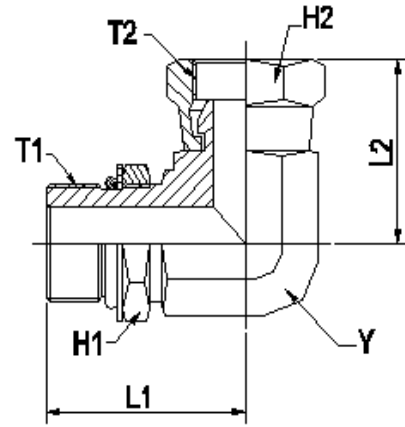
Fittings & Adapters

6901 SERIES (90° ELBOW)

(1),ADJUSTABLE -O-RING

(2) FEMALE PIPE SWIVEL

SAE# 140257



PART NUMBER	T1(UNF/UN-2A)	T2(NPSM)	L1	L2	Y(INCH)	H1(INCH)	H2(INCH)
6901-04-02-NWO	7/16-20	1/8-27	26.2	21.3	7/16	9/16	9/16
6901-04-04-NWO	7/16-20	1/4-18	30.2	26.4	9/16	9/16	11/16
6901-04-06-NWO	7/16-20	3/8-18	32	29.4	3/4	9/16	7/8
6901-05-04-NWO	1/2-20	1/4-18	30.2	26.4	9/16	5/8	11/16
6901-06-04-NWO	9/16-18	1/4-18	31.8	26.4	9/16	11/16	11/16
6901-06-06-NWO	9/16-18	3/8-18	33.5	29.4	3/4	11/16	7/8
6901-06-08-NWO	9/16-18	1/2-14	35.8	33.5	3/4	11/16	1
6901-08-04-NWO	3/4-16	1/4-18	36.8	28.7	3/4	7/8	11/16
6901-08-06-NWO	3/4-16	3/8-18	36.8	29.4	3/4	7/8	7/8
6901-08-08-NWO	3/4-16	1/2-14	36.8	33.5	3/4	7/8	1
6901-08-12-NWO	3/4-16	3/4-14	43.2	41	1-1/16	7/8	1-1/4
6901-10-04-NWO	7/8-14	1/4-18	43.2	31	7/8	1	11/16
6901-10-06-NWO	7/8-14	3/8-18	43.2	32.2	7/8	1	7/8
6901-10-08-NWO	7/8-14	1/2-14	43.2	35.3	7/8	1	1
6901-10-12-NWO	7/8-14	3/4-14	46.4	41	1-1/16	1	1-1/4
6901-12-06-NWO	1-1/16-12	3/8-18	49.3	35.3	1-1/16	1-1/4	7/8
6901-12-08-NWO	1-1/16-12	1/2-14	49.2	37.8	1-1/16	1-1/4	1
6901-12-12-NWO	1-1/16-12	3/4-14	49.2	41	1-1/16	1-1/4	1-1/4
6901-12-16-NWO	1-1/16-12	1-11-1/2	52.1	48	1-5/16	1-1/4	1-1/2
6901-14-12-NWO	1-3/16-12	3/4-14	52.1	41	1-5/16	1-3/8	1-1/4
6901-16-12-NWO	1-5/16-12	3/4-14	52.1	44.5	1-5/16	1-1/2	1-1/4
6901-16-16-NWO	1-5/16-12	1-11-1/2	52.1	48	1-5/16	1-1/2	1-1/2
6901-16-20-NWO	1-5/16-12	1-1/4-11-1/2	57.2	55.6	1-5/8	1-1/2	1-7/8
6901-20-12-NWO	1-5/8-12	3/4-14	57.2	48.5	1-5/8	1-7/8	1-1/4
6901-20-16-NWO	1-5/8-12	1-11-1/2	57.2	52.7	1-5/8	1-7/8	1-1/2
6901-20-20-NWO	1-5/8-12	1-1/4-11-1/2	57.2	56.2	1-5/8	1-7/8	1-7/8
6901-24-24-NWO	1-7/8-12	1-1/2-11-1/2	60.7	63	1-7/8	2-1/8	2-1/8
6901-32-32-NWO	2-1/2-12	2-1/2-12	73.4	72.6	2-1/2	2-3/4	2-5/8

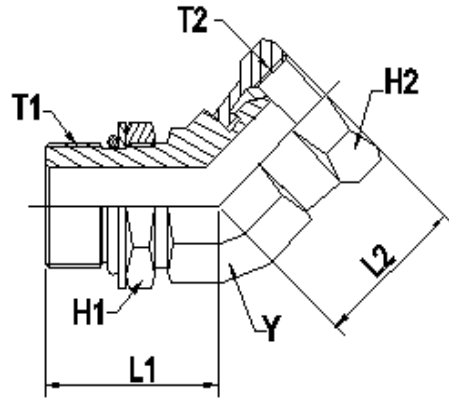
the process quality of sannke parts are assured by **KEYENCE** and **Mitutoyo**'s inspection machine .

Sannke[®]



Fittings & Adapters

6902 SERIES (45° ELBOW)
 (1),ADJUSTABLE -O-RING
 (2) FEMALE PIPE SWIVEL
 SAE# 140357



PART NUMBER	T1(UNF/UN-2A)	T2(NPSM)	L1	L2	Y(INCH)	H1(INCH)	H2(INCH)
6902-04-04-NWO	7/16-20	1/4-18	26.7	20.3	7/16	9/16	11/16
6902-04-06-NWO	7/16-20	3/8-18	26.2	24.3	9/16	9/16	7/8
6902-06-04-NWO	9/16-18	1/4-18	29.0	21.6	9/16	11/16	11/16
6902-06-06-NWO	9/16-18	3/8-18	29.0	26.4	9/16	11/16	7/8
6902-06-08-NWO	9/16-18	1/2-14	31.8	27.9	3/4	11/16	1
6902-08-04-NWO	3/4-16	1/4-18	33.0	23.2	3/4	7/8	11/16
6902-08-06-NWO	3/4-16	3/8-18	33.0	24.3	3/4	7/8	7/8
6902-08-08-NWO	3/4-16	1/2-14	33.0	27.8	3/4	7/8	1
6902-08-12-NWO	3/4-16	3/4-14	36.8	32.7	1-1/16	7/8	1-1/4
6902-10-06-NWO	7/8-14	3/8-18	38.6	24.5	7/8	1	7/8
6902-10-08-NWO	7/8-14	1/2-14	38.6	29.4	7/8	1	1
6902-10-12-NWO	7/8-14	3/4-14	43.2	32.8	1-1/16	1	1-1/4
6902-12-08-NWO	1-1/16-12	1/2-14	43.9	30.7	1-1/16	1-1/4	1
6902-12-12-NWO	1-1/16-12	3/4-14	43.9	32.8	1-1/16	1-1/4	1-1/4
6902-12-16-NWO	1-1/16-12	1-11-1/2	49.3	37.3	1-5/16	1-1/4	1-1/2
6902-16-12-NWO	1-5/16-12	3/4-14	47.2	34.8	1-5/16	1-1/2	1-1/4
6902-16-16-NWO	1-5/16-12	1-11-1/2	47.2	37.3	1-5/16	1-1/2	1-1/2
6902-20-20-NWO	1-5/8-12	1-1/4-11-1/2	48.5	42.6	1-5/8	1-7/8	1-7/8
6902-24-24-NWO	1-7/8-12	1-1/2-11-1/2	48.5	47.8	1-7/8	2-1/8	2-1/8

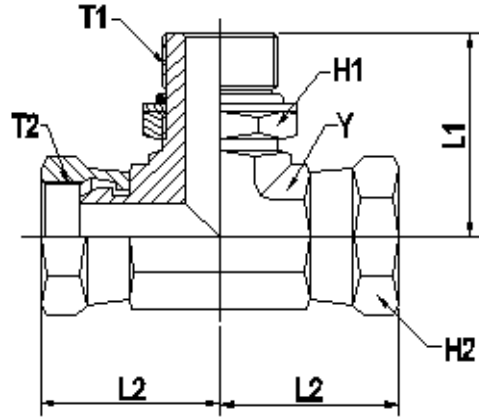
the process quality of sannke parts are assured by **KEYENCE** and **Mitutoyo**'s inspection machine .

Sannke[®]



Fittings & Adapters

6911 SERIES (TEE)
 (1), ADJUSTABLE -O-RING
 (2)&(3) FEMALE PIPE SWIVEL
 SAE#



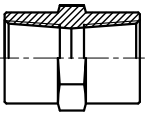
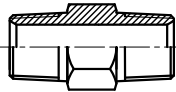
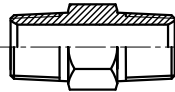
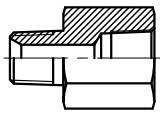
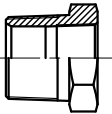
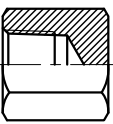
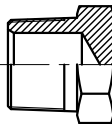
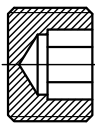
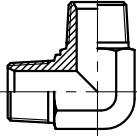
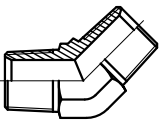
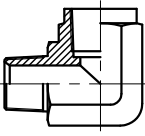
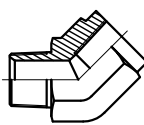
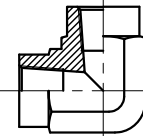
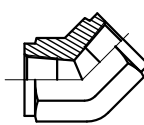
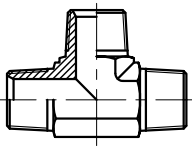
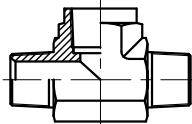
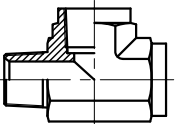
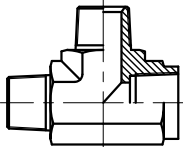
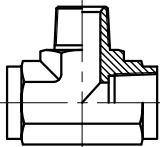
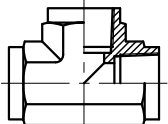
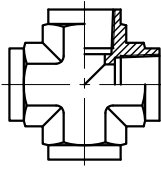
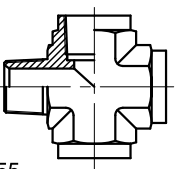
PART NUMBER	T1(UNF/UN-2A)	T2(NPSM)	L1	L2	Y(INCH)	H1(INCH)	H2(INCH)
6911-04-04-04-NWO	7/16-20	1/4-18	30.2	26.4	9/16	9/16	11/16
6911-06-06-06-NWO	9/16-18	3/8-18	33.5	29.4	3/4	11/16	7/8
6911-08-08-08NWO	3/4-16	1/2-14	36.8	33.5	3/4	7/8	1

the process quality of sannke parts are assured by **KEYENCE** and **Mitutoyo** 's inspection machine .

Sannke[®]



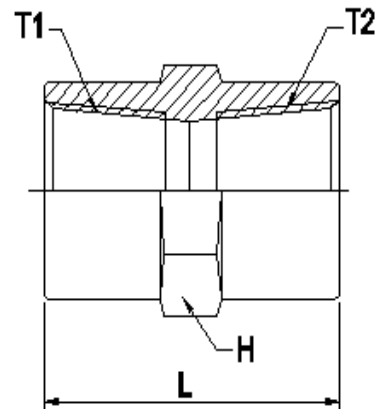
NPTF PIPE TITTINGS PRODUCT INDEX

<p>(140138)</p>  <p>5000 (1)&(2) FEMALE PIPE P77</p>	<p>(140137)</p>  <p>5404 (1)&(2) MALE PIPE P78</p>	<p>(140139)</p>  <p>5404-N (1)&(2) MALE PIPE P79</p>	<p>(140139)</p>  <p>5405 (1) MALE PIPE (2) FEMALE PIPE P80</p>	<p>(140140)</p>  <p>5406 (1) MALE PIPE (2) FEMALE PIPE P81</p>
 <p>5406-C (1) FEMALE PIPE P82</p>	<p>(130139)</p>  <p>5406-P (1) FEMALE PLUG P83</p>	<p>(140238)</p>  <p>5406-HHP P84</p>	<p>(070119)</p>  <p>5500 (1)&(2) MALE PIPE P85</p>	<p>(070102)</p>  <p>5501 (1)&(2) MALE PIPE P86</p>
 <p>5502 (1) MALE PIPE (2) FEMALE PIPE P87</p>	<p>(140339)</p>  <p>5503 (1) MALE PIPE (2) FEMALE PIPE P88</p>	<p>(140238)</p>  <p>5504 (1)&(2) FEMALE PIPE P89</p>	<p>(140338)</p>  <p>5505 (1)&(2) FEMALE PIPE P90</p>	 <p>5600 (1),(2)&(3) MALE PIPE P91</p>
 <p>5601 (1)&(2) MALE PIPE (3) FEMALE PIPE P92</p>	<p>(140424)</p>  <p>5602 (1) MALE PIPE (2)&(3) FEMALE PIPE P93</p>	 <p>5603 (1)&(3) MALE PIPE (2) FEMALE PIPE P94</p>	<p>(140425)</p>  <p>5604 (1)&(2) FEMALE PIPE (3) MALE PIPE P95</p>	<p>(140438)</p>  <p>5605 (1),(2)&(3) FEMALE PIPE P96</p>
 <p>5652 (1)~(4) FEMALE PIPE P97</p>	 <p>5655 (1) MALE TUBE (2),(3)&(4) FEMALE PIPE P98</p>			

Fittings & Adapters

5000 SERIES (HEXAGON PIPE COUPLING)
(1) & (2) FEMALE PIPE

SAE# 140138



PART NUMBER	T1(NPTF)	T2(NPTF)	L	H (INCH)
5000-02-02	1/8-27	1/8-27	19.0	5/8
5000-04-02	1/4-18	1/8-27	28.7	3/4
5000-04-04	1/4-18	1/4-18	28.7	3/4
5000-06-02	3/8-18	1/8-27	28.7	7/8
5000-06-04	3/8-18	1/4-18	28.7	7/8
5000-06-06	3/8-18	3/8-18	28.7	7/8
5000-08-04	1/2-14	1/4-18	38.1	1-1/8
5000-08-06	1/2-14	3/8-18	38.1	1-1/8
5000-08-08	1/2-14	1/2-14	38.1	1-1/8
5000-12-04	3/4-14	1/4-18	38.9	1-3/8
5000-12-06	3/4-14	3/8-18	38.9	1-3/8
5000-12-08	3/4-14	1/2-14	38.9	1-3/8
5000-12-12	3/4-14	3/4-14	38.9	1-3/8
5000-16-08	1-11-1/2	1/2-14	48.0	1-5/8
5000-16-12	1-11-1/2	3/4-14	48.0	1-5/8
5000-16-16	1-11-1/2	1-11-1/2	48.0	1-5/8
5000-20-16	1-1/4-11-1/2	1-11-1/2	49.0	2
5000-20-20	1-1/4-11-1/2	1-1/4-11-1/2	49.0	2
5000-24-16	1-1/2-11-1/2	1--11-1/2	49.0	2-5/16
5000-24-20	1-1/2-11-1/2	1-1/4-11-1/2	49.0	2-5/16
5000-24-24	1-1/2-11-1/2	1-1/2-11-1/2	49.0	2-5/16
5000-32-32	2-11-1/2	2-11-1/2	49.8	2-7/8

the process quality of sannke parts are assured by **KEYENCE** and **Mitutoyo**'s inspection machine.

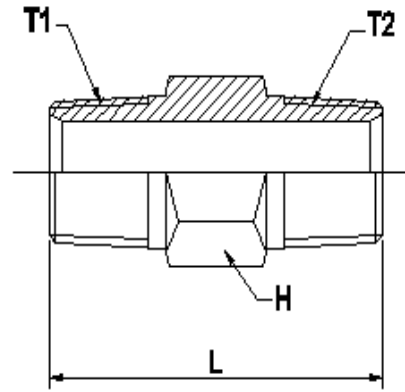
Sannke[®]



Fittings & Adapters

5404 SERIES
(1)&(2) MALE PIPE

SAE# 140137



PART NUMBER	T1(NPTF)	T2(NPTF)	L	H (INCH)
5404-02-02	1/8-27	1/8-27	26.9	7/16
5404-04-02	1/4-18	1/8-27	32.3	5/8
5404-04-04	1/4-18	1/4-18	36.8	5/8
5404-04-12	1/4-18	3/4-14	45.0	1-1/8
5404-06-04	3/8-18	1/4-18	36.8	3/4
5404-06-06	3/8-18	3/8-18	36.8	3/4
5404-08-04	1/2-14	1/4-18	43.2	7/8
5404-08-06	1/2-14	3/8-18	43.2	7/8
5404-08-08	1/2-14	1/2-14	48.0	7/8
5404-12-06	3/4-14	3/8-18	45.0	1-1/8
5404-12-08	3/4-14	1/2-14	49.8	1-1/8
5404-12-12	3/4-14	3/4-14	49.8	1-1/8
5404-16-08	1-11-1/2	1/2-14	54.6	1-3/8
5404-16-12	1-11-1/2	3/4-14	54.6	1-3/8
5404-16-16	1-11-1/2	1-11-1/2	59.4	1-3/8
5404-20-12	1-1/4-11-1/2	3/4-14	57.4	1-3/4
5404-20-16	1-1/4-11-1/2	1-11-1/2	62.3	1-3/4
5404-20-20	1-1/4-11-1/2	1-1/4-11-1/2	63.0	1-3/4
5404-24-12	1-1/2-11-1/2	3/4-14	59.9	2
5404-24-16	1-1/2-11-1/2	1--11-1/2	64.8	2
5404-24-20	1-1/2-11-1/2	1-1/4-11-1/2	65.5	2
5404-24-24	1-1/2-11-1/2	1-1/2-11-1/2	66.3	2
5404-32-20	2-11-1/2	1-1/4-11-1/2	70.1	2-1/2
5404-32-24	2-11-1/2	1-1/2-11-1/2	70.9	2-1/2
5404-32-32	2-11-1/2	2-11-1/2	71.6	2-1/2

the process quality of sannke parts are assured by **KEYENCE** and **Mitutoyo** 's inspection machine .

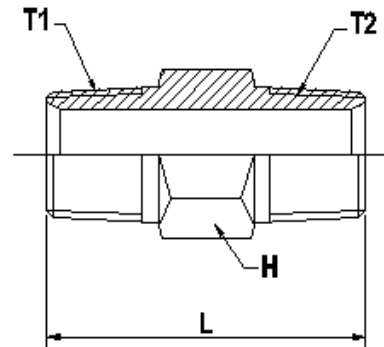
Sannke[®]



Fittings & Adapters

5404-N SERIES(NIPPLE)
(1)&(2) MALE PIPE

SAE#



PART NUMBER	T1(NPTF)	T2(NPTF)	L	H (INCH)
5404-N-02-02x1.5	1/8-27	1/8-27	38.1	7/16
5404-N-02-02x2.0	1/8-27	1/8-27	50.8	7/16
5404-N-02-02x2.5	1/8-27	1/8-27	63.5	7/16
5404-N-02-02x3.0	1/8-27	1/8-27	76.2	7/16
5404-N-02-02x3.5	1/8-27	1/8-27	88.9	7/16
5404-N-02-02x4.0	1/8-27	1/8-27	101.6	7/16
5404-N-02-02x5.0	1/8-27	1/8-27	127.0	7/16
5404-N-04-04x1.5	1/4-18	1/4-18	38.1	5/8
5404-N-04-04x2.0	1/4-18	1/4-18	50.8	5/8
5404-N-04-04x2.5	1/4-18	1/4-18	63.5	5/8
5404-N-04-04x3.0	1/4-18	1/4-18	76.2	5/8
5404-N-04-04x3.5	1/4-18	1/4-18	88.9	5/8
5404-N-04-04x4.0	1/4-18	1/4-18	101.6	5/8
5404-N-04-04x5.0	1/4-18	1/4-18	127.0	5/8
5404-N-04-04x6.0	1/4-18	1/4-18	152.4	5/8
5404-N-06-06x2.0	3/8-18	3/8-18	50.8	3/4
5404-N-06-06x2.5	3/8-18	3/8-18	63.5	3/4
5404-N-06-06x3.0	3/8-18	3/8-18	76.2	3/4
5404-N-06-06x3.5	3/8-18	3/8-18	88.9	3/4
5404-N-06-06x4.0	3/8-18	3/8-18	101.6	3/4
5404-N-06-06x5.5	3/8-18	3/8-18	139.7	3/4
5404-N-06-06x6.0	3/8-18	3/8-18	152.4	3/4
5404-N-08-08x2.0	1/2-14	1/2-14	50.8	7/8
5404-N-08-08x2.5	1/2-14	1/2-14	63.5	7/8
5404-N-08-08x3.0	1/2-14	1/2-14	76.2	7/8
5404-N-08-08x4.0	1/2-14	1/2-14	101.6	7/8
5404-N-08-08x6.0	1/2-14	1/2-14	152.4	7/8
5404-N-12-12x2.0	3/4-14	3/4-14	50.8	1-1/8
5404-N-12-12x3.0	3/4-14	3/4-14	76.2	1-1/8
5404-N-12-12x3.5	3/4-14	3/4-14	88.9	1-1/8
5404-N-12-12x4.0	3/4-14	3/4-14	101.6	1-1/8
5404-N-12-12x6.0	3/4-14	3/4-14	152.4	1-1/8
5404-N-16-16x3.0	1-11-1/2	1-11-1/2	76.2	1-3/8
5404-N-16-16x6.0	1-11-1/2	1-11-1/2	152.4	1-3/8

the process quality of sannke parts are assured by **KEYENCE** and **Mitutoyo** 's inspection machine .

Sannke[®]



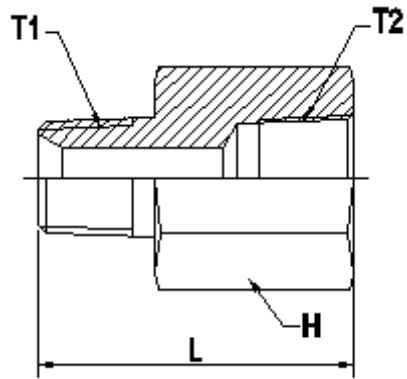
Fittings & Adapters

5405 SERIES(REDCER)

(1) MALE PIPE

(2) FEMALE PIPE

SAE# 140139



PART NUMBER	T1(NPTF)	T2(NPTF)	L	H (INCH)
5405-02-02	1/8-27	1/8-27	26.4	5/8
5405-02-04	1/8-27	1/4-18	30.7	3/4
5405-02-06	1/8-27	3/8-18	32.0	7/8
5405-02-08	1/8-27	1/2-14	38.0	1-1/8
5405-04-02	1/4-18	1/8-27	30.0	5/8
5405-04-04	1/4-18	1/4-18	35.3	3/4
5405-04-06	1/4-18	3/8-18	36.6	7/8
5405-04-08	1/4-18	1/2-14	42.7	1-1/8
5405-04-12	1/4-18	3/4-14	44.2	1-3/8
5405-06-04	3/8-18	1/4-18	36.3	3/4
5405-06-06	3/8-18	3/8-18	36.6	7/8
5405-06-08	3/8-18	1/2-14	42.7	1-1/8
5405-06-12	3/8-18	3/4-14	44.2	1-3/8
5405-08-06	1/2-14	3/8-18	49.0	7/8
5405-08-08	1/2-14	1/2-14	47.5	1-1/8
5405-08-12	1/2-14	3/4-14	49.0	1-3/8
5405-08-16	1/2-14	1--11-1/2	55.4	1-5/8
5405-12-04	3/4-14	1/4-18	41.4	1-1/8
5405-12-06	3/4-14	3/8-18	41.4	1-1/8
5405-12-08	3/4-14	1/2-14	49.3	1-1/8
5405-12-12	3/4-14	3/4-14	49.0	1-3/8
5405-12-16	3/4-14	1--11-1/2	55.4	1-5/8
5405-12-20	3/4-14	1-1/4-11-1/2	57.7	2
5405-16-12	1--11-1/2	3/4-14	53.8	1-3/8
5405-16-16	1--11-1/2	1--11-1/2	60.2	1-5/8
5405-16-20	1--11-1/2	1-1/4-11-1/2	62.5	2
5405-16-24	1--11-1/2	1-1/2-11-1/2	62.7	2-3/8
5405-20-12	1-1/4-11-1/2	3/4-14	54.6	1-3/4
5405-20-16	1-1/4-11-1/2	1--11-1/2	63.3	1-3/4
5405-20-20	1-1/4-11-1/2	1-1/4-11-1/2	63.3	2
5405-20-24	1-1/4-11-1/2	1-1/2-11-1/2	63.5	2-3/8
5405-24-20	1-1/2-11-1/2	1-1/4-11-1/2	63.8	2
5405-24-24	1-1/2-11-1/2	1-1/2-11-1/2	64.3	2-3/8
5405-24-32	1-1/2-11-1/2	2-11-1/2	66.8	2-7/8
5405-32-32	2-11-1/2	2-11-1/2	67.6	2-7/8

the process quality of sannke parts are assured by **KEYENCE** and **Mitutoyo**'s inspection machine.

Sannke®



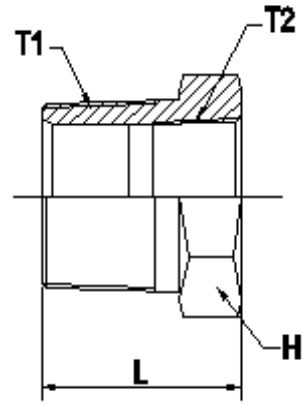
Fittings & Adapters

5406 SERIES (PIPE REDUCER BUSHING)

(1) MALE PIPE

(2) FEMALE PIPE

SAE# 140140



PART NUMBER	T1(NPTF)	T2(NPTF)	L	H (INCH)
5406-02-01	1/8-27	1/16-27	17.3	7/16
5406-04-02	1/4-18	1/8-27	21.6	5/8
5406-06-02	3/8-18	1/8-27	21.6	3/4
5406-06-04	3/8-18	1/4-18	21.6	3/4
5406-08-01	1/2-14	1/16-27	28.2	7/8
5406-08-02	1/2-14	1/8-27	27.9	7/8
5406-08-04	1/2-14	1/4-18	27.9	7/8
5406-08-06	1/2-14	3/8-18	27.9	7/8
5406-12-02	3/4-14	1/8-27	29.7	1-1/8
5406-12-04	3/4-14	1/4-18	29.7	1-1/8
5406-12-06	3/4-14	3/8-18	29.7	1-1/8
5406-12-08	3/4-14	1/2-14	29.7	1-1/8
5406-16-02	1--11-1/2	1/8-27	34.5	1-3/8
5406-16-04	1--11-1/2	1/4-18	34.5	1-3/8
5406-16-06	1--11-1/2	3/8-18	34.5	1-3/8
5406-16-08	1--11-1/2	1/2-14	34.5	1-3/8
5406-16-12	1--11-1/2	3/4-14	34.5	1-3/8
5406-20-04	1-1/4-11-1/2	1/4-18	37.3	1-3/4
5406-20-06	1-1/4-11-1/2	3/8-18	37.3	1-3/4
5406-20-08	1-1/4-11-1/2	1/2-14	37.3	1-3/4
5406-20-12	1-1/4-11-1/2	3/4-14	37.3	1-3/4
5406-20-16	1-1/4-11-1/2	1--11-1/2	37.3	1-3/4
5406-24-04	1-1/2-11-1/2	1/4-18	39.9	2
5406-24-06	1-1/2-11-1/2	3/8-18	39.9	2
5406-24-08	1-1/2-11-1/2	1/2-14	39.9	2
5406-24-12	1-1/2-11-1/2	3/4-14	39.9	2
5406-24-16	1-1/2-11-1/2	1--11-1/2	39.9	2
5406-24-20	1-1/2-11-1/2	1-1/4-11-1/2	39.9	2
5406-32-08	2-11-1/2	1/2-14	44.5	2-1/2
5406-32-12	2-11-1/2	3/4-14	44.5	2-1/2
5406-32-16	2-11-1/2	1--11-1/2	44.5	2-1/2
5406-32-20	2-11-1/2	1-1/4-11-1/2	44.5	2-1/2
5406-32-24	2-11-1/2	1-1/2-11-1/2	44.5	2-1/2

the process quality of sannke parts are assured by **KEYENCE** and **Mitutoyo** 's inspection machine .

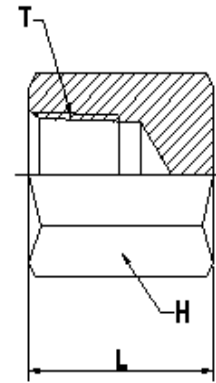
Sannke[®]



Fittings & Adapters

5406 -C SERIES
(1) FEMALE PIPE

SAE#



PART NUMBER	T (NPTF)	L	H (INCH)
5406-C-02	1/8-27	19.1	9/16
5406-C-04	1/4-18	23.1	3/4
5406-C-06	3/8-18	26.2	7/8
5406-C-08	1/2-14	34.0	1-1/16
5406-C-12	3/4-14	36.6	1-1/4

the process quality of sannke parts are assured by **KEYENCE** and **Mitutoyo** 's inspection machine .

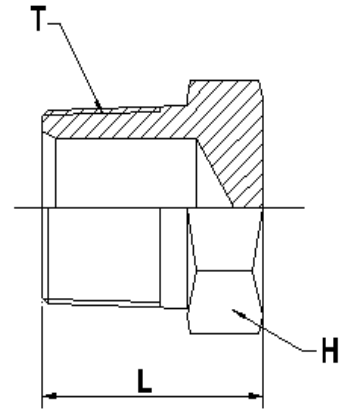
Sannke[®]



Fittings & Adapters

5406 -P SERIES (PLUG)
(1) MALE PLUG

SAE# 130139E



PART NUMBER	T (NPTF)	L	H (INCH)
5406-P-02	1/8-27	14.3	7/16
5406-P-04	1/4-18	18.8	9/16
5406-P-06	3/8-18	19.6	11/16
5406-P-08	1/2-14	24.4	7/8
5406-P-12	3/4-14	28.8	1-1/8
5406-P-16	1--11-1/2	34.6	1-3/8
5406-P-20	1-1/4-11-1/2	36.3	1-3/4
5406-P-24	1-1/2-11-1/2	38.9	2
5406-P-32	2-11-1/2	43.5	2-1/2

the process quality of sannke parts are assured by **KEYENCE** and **Mitutoyo** 's inspection machine .

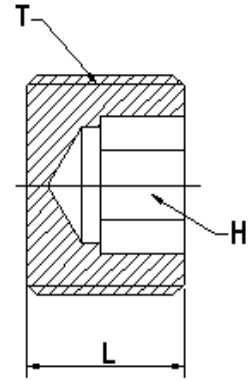
Sannke[®]



Fittings & Adapters

5406 -HHP SERIES

SAE#



PART NUMBER	T (NPTF)	L	H (INCH)
5406-HHP-01	1/16-27	7.9	5/32
5406-HHP-02	1/8-27	7.9	3/16
5406-HHP-04	1/4-18	12.1	1/4
5406-HHP-06	3/8-18	12.1	5/16
5406-HHP-08	1/2-14	16.0	3/8
5406-HHP-12	3/4-14	16.3	9/16
5406-HHP-16	1-11-1/2	20.1	5/8
5406-HHP-20	1-1/4-11-1/2	21.1	3/4
5406-HHP-24	1-1/2-11-1/2	21.1	3/4
5406-HHP-32	2-11-1/2	22.1	3/4

the process quality of sannke parts are assured by **KEYENCE** and **Mitutoyo** 's inspection machine .

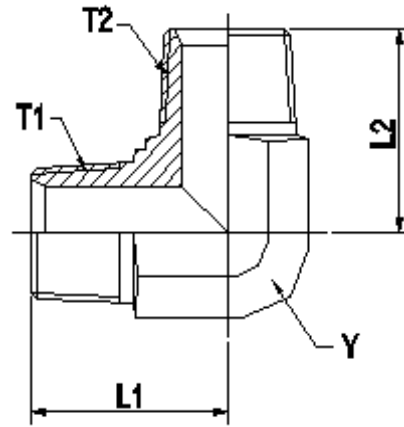
Sannke[®]



Fittings & Adapters

5500 SERIES (90° ELBOW)
(1) & (2) MALE PIPE

SAE#



PART NUMBER	T1(NPTF)	T2(NPTF)	L1	L2	Y(INCH)
5500-02-02	1/8-27	1/8-27	18.3	18.3	5/8
5500-02-06	1/8-27	3/8-18	24.0	31.0	3/4
5500-04-02	1/4-18	1/8-27	27.7	22.4	9/16
5500-04-04	1/4-18	1/4-18	27.7	27.7	9/16
5500-06-04	3/8-18	1/4-18	31.0	28.5	3/4
5500-06-06	3/8-18	3/8-18	31.0	31.0	3/4
5500-08-04	1/2-14	1/4-18	37.3	32.5	7/8
5500-08-06	1/2-14	3/8-18	37.3	32.5	7/8
5500-08-08	1/2-14	1/2-14	37.3	37.3	7/8
5500-12-06	3/4-14	3/8-18	40.4	32.9	1-1/16
5500-12-08	3/4-14	1/2-14	40.4	40.4	1-1/16
5500-12-12	3/4-14	3/4-14	40.4	40.4	1-1/16
5500-12-16	3/4-14	1-11-1/2	45.2	50.0	1-5/16
5500-16-08	1-11-1/2	1/2-14	50.0	45.2	1-5/16
5500-16-12	1-11-1/2	3/4-14	50.0	45.2	1-5/16
5500-16-16	1-11-1/2	1-11-1/2	50.0	50.0	1-5/16
5500-16-20	1-11-1/2	1-1/4-11-1/2	52.0	60.5	1-5/8
5500-20-20	1-1/4-11-1/2	1-1/4-11-1/2	60.5	60.5	1-5/8
5500-24-20	1-1/2-11-1/2	1-1/4-11-1/2	67.1	60.5	1-7/8
5500-24-24	1-1/2-11-1/2	1-1/2-11-1/2	67.1	67.1	1-7/8
5500-32-32	2-11-1/2	2-11-1/2	76.2	76.2	2-1/2

the process quality of sannke parts are assured by **KEYENCE** and **Mitutoyo** 's inspection machine .

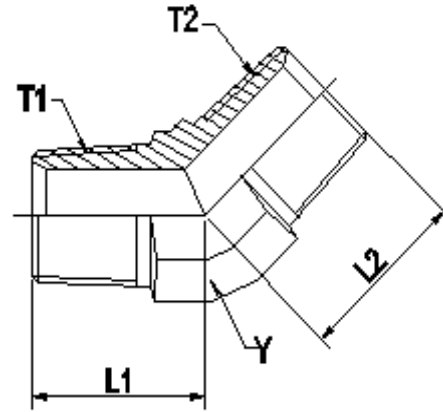
Sannke[®]



Fittings & Adapters

5501 SERIES (45° ELBOW)
(1)&(2) MALE PIPE

SAE#



PART NUMBER	T1(NPTF)	T2(NPTF)	L1	L2	Y(INCH)
5501-02-02	1/8-27	1/8-27	16.2	16.2	5/8
5501-04-04	1/4-18	1/4-18	21.8	21.8	9/16
5501-06-06	3/8-18	3/8-18	24.1	24.1	3/4
5501-08-08	1/2-14	1/2-14	29.7	29.7	7/8
5501-12-04	3/4-14	1/4-18	30.5	27.9	1-1/16
5501-12-12	3/4-14	3/4-14	30.5	30.5	1-1/16
5501-16-16	1-11-1/2	1-11-1/2	37.6	37.6	1-5/16
5501-20-20	1-1/4-11-1/2	1-1/4-11-1/2	42.4	42.4	1-5/8
5501-24-24	1-1/2-11-1/2	1-1/2-11-1/2	45.0	45.0	1-7/8
5501-32-32	2-11-1/2	2-11-1/2	53.6	53.6	2-1/2

the process quality of sannke parts are assured by **KEYENCE** and **Mitutoyo**'s inspection machine .

Sannke®



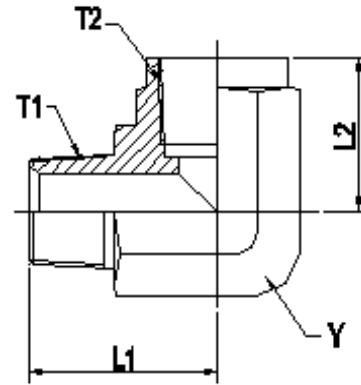
Fittings & Adapters

5502 SERIES (90° ELBOW)

(1) MALE PIPE

(2) FEMALE PIPE

SAE# 140239



PART NUMBER	T1(NPTF)	T2(NPTF)	L1	L2	Y(INCH)
5502-02-02	1/8-27	1/8-27	19.8	16.8	9/16
5502-02-04	1/8-27	1/4-18	22.9	22.4	3/4
5502-02-06	1/8-27	3/8-18	24.7	25.9	7/8
5502-04-02	1/4-18	1/8-27	27.7	17.0	9/16
5502-04-04	1/4-18	1/4-18	27.7	22.4	3/4
5502-04-06	1/4-18	3/8-18	31.1	25.9	7/8
5502-04-08	1/4-18	1/2-14	32.5	31.2	1-1/16
5502-06-02	3/8-18	1/8-27	31.1	20.3	7/8
5502-06-04	3/8-18	1/4-18	31.1	25.7	7/8
5502-06-06	3/8-18	3/8-18	31.1	25.9	7/8
5502-06-08	3/8-18	1/2-14	32.5	31.2	1-1/16
5502-08-04	1/2-14	1/4-18	37.3	25.4	7/8
5502-08-06	1/2-14	3/8-18	37.3	25.9	7/8
5502-08-08	1/2-14	1/2-14	37.3	31.2	1-1/16
5502-08-12	1/2-14	3/4-14	40.4	34.5	1-5/16
5502-12-06	3/4-14	3/8-18	40.4	29.7	1-1/16
5502-12-08	3/4-14	1/2-14	40.4	31.2	1-1/16
5502-12-12	3/4-14	3/4-14	40.4	34.5	1-5/16
5502-12-16	3/4-14	1-11-1/2	46.3	41.1	1-5/8
5502-16-16	1-11-1/2	1-11-1/2	50.0	41.2	1-5/8
5502-16-20	1-11-1/2	1-1/4-11-1/2	60.5	43.2	1-7/8
5502-20-12	1-1/4-11-1/2	3/4-14	60.5	36.8	1-5/8
5502-20-16	1-1/4-11-1/2	1-11-1/2	60.5	41.2	1-5/8
5502-20-20	1-1/4-11-1/2	1-1/4-11-1/2	60.5	43.2	1-7/8
5502-20-24	1-1/4-11-1/2	1-1/2-11-1/2	67.1	52.8	2 9/16
5502-24-20	1-1/2-11-1/2	1-1/4-11-1/2	67.1	43.2	1-7/8
5502-24-24	1-1/2-11-1/2	1-1/2-11-1/2	67.1	52.8	2 9/16
5502-32-32	2-11-1/2	2-11-1/2	76.2	60.7	2 13/16

the process quality of sannke parts are assured by **KEYENCE** and **Mitutoyo**'s inspection machine.

Sannke[®]

TÜVRheinland[®]
ISO9001:2015

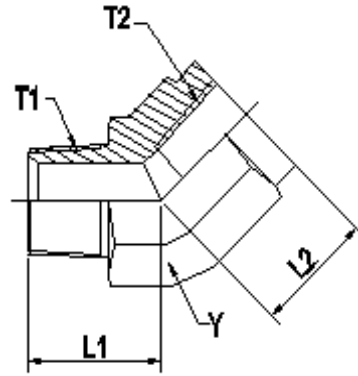
Fittings & Adapters

5503 SERIES (45° ELBOW)

(1) MALE PIPE

(2) FEMALE PIPE

SAE# 140339



PART NUMBER	T1(NPTF)	T2(NPTF)	L1	L2	Y(INCH)
5503-02-02	1/8-27	1/8-27	18.3	11.9	9/16
5503-04-04	1/4-18	1/4-18	26.7	15.8	3/4
5503-06-06	3/8-18	3/8-18	26.9	18.3	7/8
5503-08-08	1/2-14	1/2-14	34.0	23.1	1-1/16
5503-12-12	3/4-14	3/4-14	35.1	24.6	1-5/16
5503-16-16	1-11-1/2	1-11-1/2	43.7	28.5	1-5/8
5503-20-20	1-1/4-11-1/2	1-1/4-11-1/2	45.7	41.4	1-7/8
5503-24-24	1-1/2-11-1/2	1-1/2-11-1/2	52.3	42.9	2-5/8

the process quality of sannke parts are assured by **KEYENCE** and **Mitutoyo**'s inspection machine .

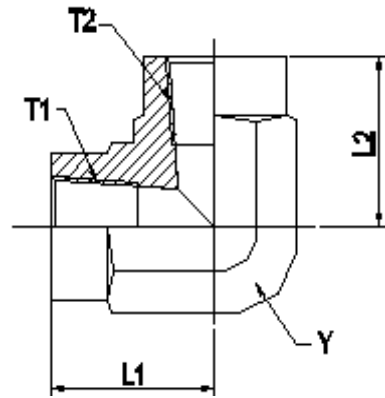
Sannke®



Fittings & Adapters

5504 SERIES (90° ELBOW)
(1)&(2) FEMALE PIPE

SAE# 140238



PART NUMBER	T1(NPTF)	T2(NPTF)	L1	L2	Y(INCH)
5504-02-02	1/8-27	1/8-27	16.8	16.8	9/16
5504-04-02	1/4-18	1/8-27	22.4	17.0	3/4
5504-04-04	1/4-18	1/4-18	22.4	22.4	3/4
5504-06-04	3/8-18	1/4-18	25.9	25.7	7/8
5504-06-06	3/8-18	3/8-18	25.9	25.9	7/8
5504-08-04	1/2-14	1/4-18	31.2	25.4	1-1/16
5504-08-06	1/2-14	3/8-18	31.2	25.7	1-1/16
5504-08-08	1/2-14	1/2-14	31.2	31.2	1-1/16
5504-12-06	3/4-14	3/8-18	34.5	30.2	1-5/16
5504-12-08	3/4-14	1/2-14	34.5	34.3	1-5/16
5504-12-12	3/4-14	3/4-14	34.5	34.5	1-5/16
5504-16-08	1-11-1/2	1/2-14	41.2	35.3	1-5/8
5504-16-12	1-11-1/2	3/4-14	41.2	35.3	1-5/8
5504-16-16	1-11-1/2	1-11-1/2	41.2	41.2	1-5/8
5504-20-12	1-1/4-11-1/2	3/4-14	43.2	38.5	1-7/8
5504-20-16	1-1/4-11-1/2	1-11-1/2	43.2	42.9	1-7/8
5504-20-20	1-1/4-11-1/2	1-1/4-11-1/2	43.2	43.2	1-7/8
5504-24-20	1-1/2-11-1/2	1-1/4-11-1/2	52.8	52.5	2-5/8
5504-24-24	1-1/2-11-1/2	1-1/2-11-1/2	52.8	52.8	2-5/8
5504-32-32	2-11-1/2	2-11-1/2	60.7	60.7	2-13/16

the process quality of sannke parts are assured by **KEYENCE** and **Mitutoyo**'s inspection machine .

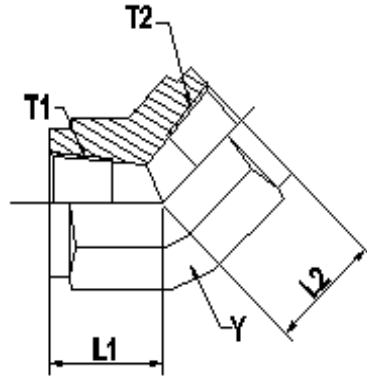
Sannke[®]



Fittings & Adapters

5505 SERIES (45° ELBOW)
(1)&(2) FEMALE PIPE

SAE# 140338



PART NUMBER	T1(NPTF)	T2(NPTF)	L1	L2	Y(INCH)
5505-02-02	1/8-27	1/8-27	12.7	12.7	9/16
5505-04-04	1/4-18	1/4-18	17.5	17.5	3/4
5505-06-06	3/8-18	3/8-18	19.1	19.1	7/8
5505-08-08	1/2-14	1/2-14	23.9	23.9	1-1/16
5505-12-12	3/4-14	3/4-14	25.4	25.4	1-5/16
5505-16-16	1-11-1/2	1-11-1/2	30.2	30.2	1-5/8
5505-20-20	1-1/4-11-1/2	1-1/4-11-1/2	36.6	36.6	1-7/8

the process quality of sannke parts are assured by **KEYENCE** and **Mitutoyo** 's inspection machine .

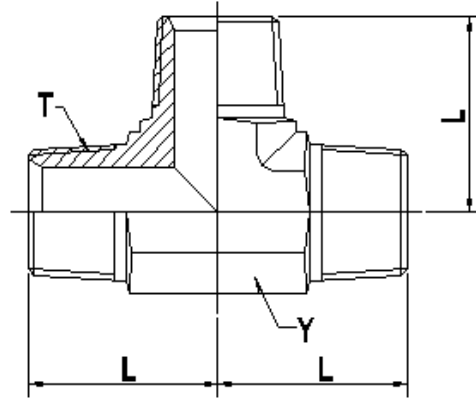
Sannke[®]



Fittings & Adapters

5600 SERIES (TEE)
(1)(2) & (3) MALE PIPE

SAE#



PART NUMBER	T (NPTF)	L	Y (INCH)
5600-02-02-02	1/8-27	18.3	7/16
5600-04-04-04	1/4-18	27.7	9/16
5600-06-06-06	3/8-18	31.0	3/4
5600-08-08-08	1/2-14	37.3	7/8
5600-12-12-12	3/4-14	40.4	1-1/16
5600-16-16-16	1-11-1/2	50.0	1-5/16
5600-20-20-20	1-1/4-11-1/2	60.5	1-5/8
5600-32-32-32	2-11-1/2	76.2	2-1/2

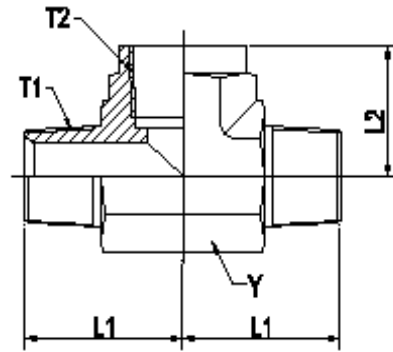
the process quality of sannke parts are assured by **KEYENCE** and **Mitutoyo** 's inspection machine .

Sannke[®]



Fittings & Adapters

5601 SERIES (TEE)
 (1) & (2) MALE PIPE
 (3) FEMALE PIPE
 SAE#



PART NUMBER	T1(NPTF)	T2(NPTF)	L1	L2	Y(INCH)
5601-02-02-02	1/8-27	1/8-27	19.8	16.8	9/16
5601-04-04-04	1/4-18	1/4-18	27.7	22.4	3/4
5601-06-06-06	3/8-18	3/8-18	31.0	25.9	7/8
5601-08-08-08	1/2-14	1/2-14	37.3	31.2	1-1/16
5601-12-12-12	3/4-14	3/4-14	40.4	34.5	1-5/16
5601-16-16-16	1-11-1/2	1-11-1/2	50.0	41.2	1-5/8
5601-20-20-20	1-1/4-11-1/2	1-1/4-11-1/2	60.5	43.2	1-7/8
5601-24-24-24	1-1/2-11-1/2	1-1/2-11-1/2	67.1	52.8	2-9/16

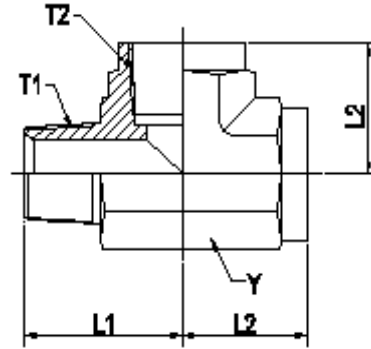
the process quality of sannke parts are assured by **KEYENCE** and **Mitutoyo** 's inspection machine .

Sannke[®]



Fittings & Adapters

5602 SERIES (TEE)
 (1) MALE PIPE
 (2)&(3) FEMALE PIPE
 SAE# 140424

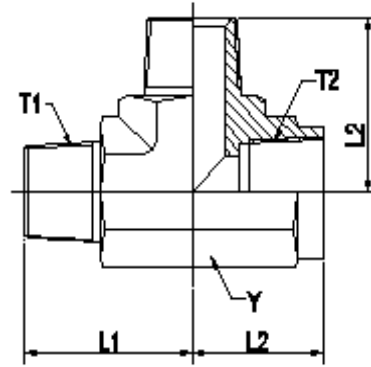


PART NUMBER	T1(NPTF)	T2(NPTF)	L1	L2	Y(INCH)
5602-02-02-02	1/8-27	1/8-27	19.8	16.8	9/16
5602-02-04-04	1/8-27	1/4-18	22.9	22.4	3/4
5602-04-04-04	1/4-18	1/4-18	27.7	22.4	3/4
5602-06-06-06	3/8-18	3/8-18	31.0	25.9	7/8
5602-08-08-08	1/2-14	1/2-14	37.3	31.2	1-1/16
5602-12-12-12	3/4-14	3/4-14	40.4	34.5	1-5/16
5602-16-16-16	1-11-1/2	1-11-1/2	50.0	41.2	1-5/8
5602-20-20-20	1-1/4-11-1/2	1-1/4-11-1/2	60.5	43.2	1-7/8
5602-24-24-24	1-1/2-11-1/2	1-1/2-11-1/2	67.1	52.8	2-9/16
5602-32-32-32	2-11-1/2	2-11-1/2	76.2	60.7	2-13/16

the process quality of sannke parts are assured by **KEYENCE** and **Mitutoyo** 's inspection machine .

Fittings & Adapters

5603 SERIES (TEE)
 (1)&(3) MALE PIPE
 (2) FEMALE PIPE
 SAE#



PART NUMBER	T1(NPTF)	T2(NPTF)	L1	L2	Y(INCH)
5603-02-02-02	1/8-27	1/8-27	19.8	16.8	9/16
5603-04-04-04	1/4-18	1/4-18	27.7	22.4	3/4
5603-06-06-06	3/8-18	3/8-18	31.0	25.9	7/8
5603-08-08-08	1/2-14	1/2-14	37.3	31.2	1-1/16
5603-12-12-12	3/4-14	3/4-14	40.4	34.5	1-5/16
5603-16-16-16	1-11-1/2	1-11-1/2	50.0	41.2	1-5/8
5603-20-20-20	1-1/4-11-1/2	1-1/4-11-1/2	60.5	43.2	1-7/8
5603-24-24-24	1-1/2-11-1/2	1-1/2-11-1/2	67.1	52.8	2-9/16
5603-32-32-32	2-11-1/2	2-11-1/2	76.2	60.7	2-13/16

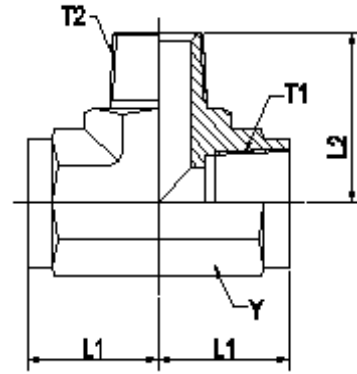
the process quality of sannke parts are assured by **KEYENCE** and **Mitutoyo** 's inspection machine .

Sannke[®]



Fittings & Adapters

5604 SERIES (TEE)
 (1)&(2) FEMALE PIPE
 (3) MALE PIPE
 SAE# 140425



PART NUMBER	T1(NPTF)	T2(NPTF)	L1	L2	Y(INCH)
5604-02-02-02	1/8-27	1/8-27	16.8	19.8	9/16
5604-04-04-02	1/4-18	1/8-27	22.4	22.9	3/4
5604-04-04-04	1/4-18	1/4-18	22.4	27.7	3/4
5604-06-06-06	3/8-18	3/8-18	25.9	31.0	7/8
5604-08-08-08	1/2-14	1/2-14	31.2	37.3	1-1/16
5604-12-12-08	3/4-14	1/2-14	34.5	40.4	1-5/16
5604-12-12-12	3/4-14	3/4-14	34.5	40.3	1-5/16
5604-16-16-16	1-11-1/2	1-11-1/2	41.2	50.0	1-5/8
5604-20-20-20	1-1/4-11-1/2	1-1/4-11-1/2	43.2	60.5	1-7/8
5604-24-24-24	1-1/2-11-1/2	1-1/2-11-1/2	52.8	67.1	2-9/16
5604-32-32-32	2-11-1/2	2-11-1/2	60.7	76.2	2-13/16

the process quality of sannke parts are assured by **KEYENCE** and **Mitutoyo** 's inspection machine .

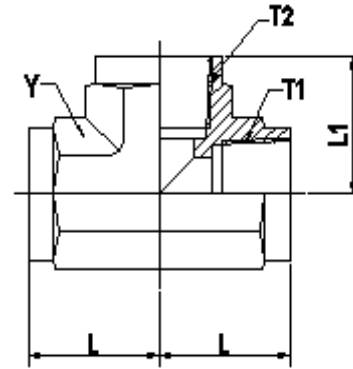
Sannke[®]



Fittings & Adapters

5605 SERIES (TEE)
(1)(2)&(3) FEMALE PIPE

SAE# 140438



PART NUMBER	T1(NPTF)	T2(NPTF)	L	L1	Y(INCH)
5605-02-02-02	1/8-27	1/8-27	16.8	16.8	9/16
5605-04-04-02	1/4-18	1/8-27	22.4	16.8	3/4
5605-04-04-04	1/4-18	1/4-18	22.4	22.4	3/4
5605-06-06-06	3/8-18	3/8-18	25.9	25.9	7/8
5605-06-06-08	3/8-18	1/2-14	25.9	31.2	1-1/16
5605-08-08-08	1/2-14	1/2-14	31.2	31.2	1-1/16
5605-12-12-12	3/4-14	3/4-14	34.5	34.5	1-5/16
5605-16-16-16	1-11-1/2	1-11-1/2	41.2	41.2	1-5/8
5605-20-20-20	1-1/4-11-1/2	1-1/4-11-1/2	43.2	43.2	1-7/8
5605-24-24-24	1-1/2-11-1/2	1-1/2-11-1/2	52.8	52.8	2-9/16
5605-32-32-32	2-11-1/2	2-11-1/2	60.7	60.7	2-13/16

the process quality of sannke parts are assured by **KEYENCE** and **Mitutoyo** 's inspection machine .

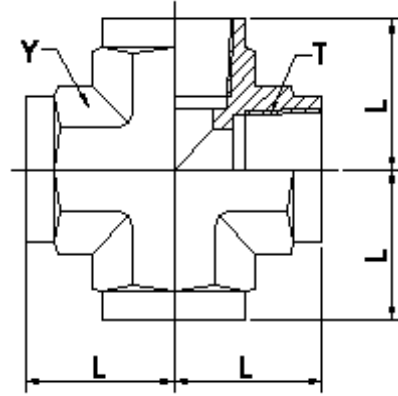
Sannke[®]



Fittings & Adapters

5652 SERIES (CROSS)
(1)~(4) FEMALE PIPE

SAE#



PART NUMBER	T (NPTF)	L	Y (INCH)
5652-02-02-02-02	1/8-27	16.8	9/16
5652-04-04-04-04	1/4-18	22.4	3/4
5652-06-06-06-06	3/8-18	25.9	7/8
5652-08-08-08-08	1/2-14	31.2	1-1/16
5652-12-12-12-12	3/4-14	34.5	1-5/16
5652-16-16-16-16	1-11-1/2	41.2	1-5/8
5652-20-20-20-20	1-1/4-11-1/2	43.2	1-7/8
5652-24-24-24-24	2-1/2-11-1/2	52.8	2-9/16
5652-32-32-32-32	2-11-1/2	60.7	2-13/16

the process quality of sannke parts are assured by **KEYENCE** and **Mitutoyo** 's inspection machine .

Sannke[®]



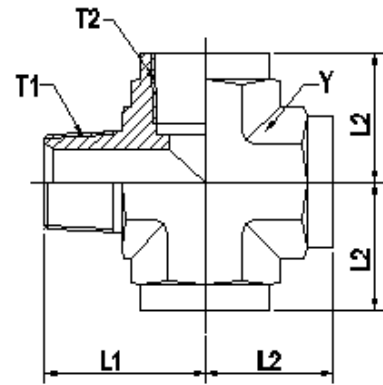
Fittings & Adapters

5655 SERIES (CROSS)

(1) MALE PIPE

(2)(3)&(4) FEMALE PIPE

SAE#



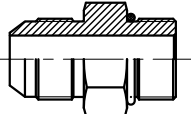
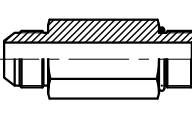
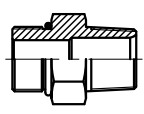
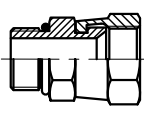
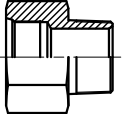
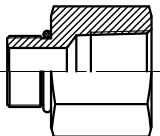
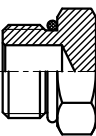
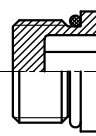
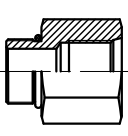
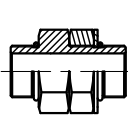
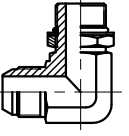
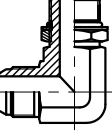
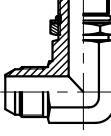
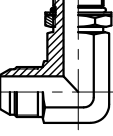
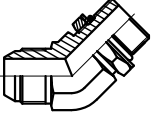
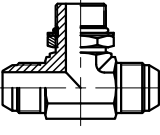
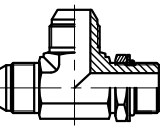
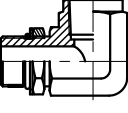
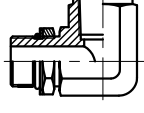
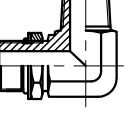
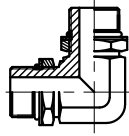
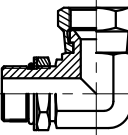
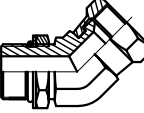
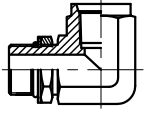
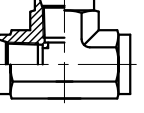
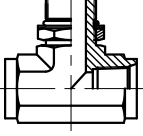
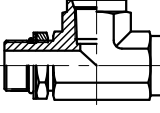
PART NUMBER	T1(NPTF)	T2(NPTF)	L1	L2	Y(INCH)
5655-02-02-02-02	1/8-27	1/8-27	19.8	16.8	9/16
5655-04-04-04-04	1/4-18	1/4-18	27.7	22.4	3/4
5655-06-06-06-06	3/8-18	3/8-18	31.0	25.9	7/8
5655-08-08-08-08	1/2-14	1/2-14	37.3	31.2	1-1/16
5655-12-12-12-12	3/4-14	3/4-14	40.4	34.5	1-5/16

the process quality of sannke parts are assured by **KEYENCE** and **Mitutoyo** 's inspection machine .

Sannke[®]



ADJUSTABLE AND O-RING FITTINGS PRODUCT INDEX

(070120)  6400 (1) 37° MALE TUBE (2) O-RING BOSS P99	(070122)  6400-L (1) 37° MALE TUBE (2) O-RING BOSS P101	 6401 (1) O-RING BOSS (2) MALE PIPE P102	 6402 (1) O-RING BOSS (2) 37° FEMALE SWIVEL P103	 6404 (1) O-RING FEMALE BOSS (2) 37° FEMALE SWIVEL P104
 6405 (1) O-RING BOSS (2) FEMALE PIPE P105	(090109A)  6408 HEXAGN HEAD O-RING BOSS PLUG P107	(090109B)  6408-HHP HEXAGN SOCKET O-RING BOSS PLUG P108	 6410 (1) O-RING BOSS (2) O-RING FEMALE BOSS P109	(070102)  6464 (1) O-RING BOSS (2) ADJUSTABLE O-RING P111
(070220)  6801 (1) 37° MALE TUBE (2) ADJUSTABLE O-RING P112	 6801-L (1) 37° MALE FLARE (2) ADJUSTABLE O-RING-LONG P114	 6801-LL (1) 37° MALE FLARE (2) ADJUSTABLE O-RING-X-LONG P115	 6801-LLL (1) 37° MALE FLARE (2) ADJUSTABLE O-RING-XX-LONG P116	 6802 (1) 37° MALE TUBE (2) ADJUSTABLE O-RING P117
(070429)  6803 (1) & (2) 37° MALE TUBE (3) ADJUSTABLE O-RING P118	(070428)  6804 (1) & (3) 37° MALE TUBE (2) ADJUSTABLE O-RING P119	 6805 (1) ADJUSTABLE O-RING (2) FEMALE PIPE P120	 6805-L (1) ADJUSTABLE O-RING (2) FEMALE PIPE P121	 6806 (1) ADJUSTABLE O-RING (2) MALE PIPE P122
 6807 (1) & (4) ADJUSTABLE O-RING P123	 6809 (1) ADJUSTABLE O-RING (2) 37° FEMALE SWIVEL P124	 6810 (1) ADJUSTABLE O-RING (2) 37° FEMALE SWIVEL P125	 6815 (1) ADJUSTABLE O-RING (2) O-RING FEMALE BOSS P126	 6868 (1) (2) & (3) O-RING FEMALE BOSS P127
 6870 (1) & (2) O-RING FEMALE BOSS (3) ADJUSTABLE O-RING P128	 6871 (1) ADJUSTABLE O-RING (2) & (3) O-RING FEMALE BOSS P129			

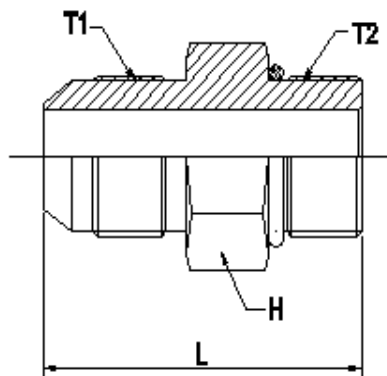
Fittings & Adapters

6400 SERIES(STRAIGHT)

(1) 37°MALE TUBE

(2) O-RING BOSS

SAE# 070120



PART NUMBER	T1(UNF/UN-2A)	T2(UNF/UN-2A)	L	H (INCH)
6400-02-02-O	5/16-24	5/16-24	26.9	7/16
6400-03-03-O	3/8-24	3/8-24	27.9	1/2
6400-03-05-O	3/8-24	1/2-20	29.5	5/8
6400-04-02-O	7/16-20	5/16-24	29.7	1/2
6400-04-03-O	7/16-20	3/8-24	29.7	1/2
6400-04-04-O	7/16-20	7/16-20	31.2	9/16
6400-04-05-O	7/16-20	1/2-20	31.2	5/8
6400-04-06-O	7/16-20	9/16-18	32.8	11/16
6400-04-08-O	7/16-20	3/4-16	34.8	7/8
6400-04-10-O	7/16-20	7/8-14	37.9	1
6400-04-12-O	7/16-20	1-1/16-12	42.2	1-1/4
6400-05-03-O	1/2-20	3/8-24	29.7	9/16
6400-05-04-O	1/2-20	7/16-20	31.2	5/8
6400-05-05-O	1/2-20	1/2-20	31.2	5/8
6400-05-06-O	1/2-20	9/16-18	32.8	11/16
6400-05-08-O	1/2-20	3/4-16	34.8	7/8
6400-05-10-O	1/2-20	7/8-14	37.9	1
6400-06-04-O	9/16-18	7/16-20	32.3	5/8
6400-06-05-O	9/16-18	1/2-20	32.3	5/8
6400-06-06-O	9/16-18	9/16-18	33.0	11/16
6400-06-10-O	9/16-18	7/8-14	38.0	1
6400-06-12-O	9/16-18	1-1/16-12	42.2	1-1/4
6400-06-16-O	9/16-18	1-5/16-12	42.8	1-1/2
6400-08-02-O	3/4-16	5/16-24	36.3	13/16
6400-08-04-O	3/4-16	7/16-20	37.9	13/16
6400-08-05-O	3/4-16	1/2-20	37.9	13/16
6400-08-06-O	3/4-16	9/16-18	36.6	13/16
6400-08-08-O	3/4-16	3/4-16	37.6	7/8
6400-08-10-O	3/4-16	7/8-14	40.6	1
6400-08-12-O	3/4-16	1-1/16-12	44.7	1-1/4
6400-08-16-O	3/4-16	1-5/16-12	45.5	1-1/2
6400-10-02-O	7/8-14	5/16-24	40.4	15/16
6400-10-04-O	7/8-14	7/16-20	41.9	15/16
6400-10-06-O	7/8-14	9/16-18	43.4	15/16

the process quality of sannke parts are assured by **KEYENCE** and **Mitutoyo** 's inspection machine .

Sannke®



Fittings & Adapters

PART NUMBER	T1(UNF/UN-2A)	T2(UNF/UN-2A)	L	H (INCH)
6400-10-08-O	7/8-14	3/4-16	41.7	15/16
6400-10-10-O	7/8-14	7/8-14	43.2	1
6400-10-12-O	7/8-14	1-1/16-12	47.2	1-1/4
6400-10-14-O	7/8-14	1-3/16-12	47.3	1-3/8
6400-10-16-O	7/8-14	1-5/16-12	48.0	1-1/2
6400-10-20-O	7/8-14	1-5/8-12	50.0	1-7/8
6400-12-04-O	1-1/16-12	7/16-20	46.5	1-1/8
6400-12-06-O	1-1/16-12	9/16-18	47.2	1-1/8
6400-12-08-O	1-1/16-12	3/4-16	49.3	1-1/8
6400-12-10-O	1-1/16-12	7/8-14	47.8	1-1/8
6400-12-12-O	1-1/16-12	1-1/16-12	50.1	1-1/4
6400-12-14-O	1-1/16-12	1-3/16-12	49.8	1-3/8
6400-12-16-O	1-1/16-12	1-5/16-12	50.6	1-1/2
6400-12-20-O	1-1/16-12	1-5/8-12	52.8	1-7/8
6400-12-24-O	1-1/16-12	1-7/8-12	55.6	2-1/8
6400-14-08-O	1-3/16-12	3/4-16	49.8	1-1/4
6400-14-10-O	1-3/16-12	7/8-14	51.3	1-1/4
6400-14-12-O	1-3/16-12	1-1/16-12	50.6	1-1/4
6400-14-14-O	1-3/16-12	1-3/16-12	50.6	1-3/8
6400-14-16-O	1-3/16-12	1-5/16-12	51.3	1-1/2
6400-16-08-O	1-5/16-12	3/4-16	51.1	1-3/8
6400-16-10-O	1-5/16-12	7/8-14	52.6	1-3/8
6400-16-12-O	1-5/16-12	1-1/16-12	51.8	1-3/8
6400-16-16-O	1-5/16-12	1-5/16-12	51.8	1-1/2
6400-16-20-O	1-5/16-12	1-5/8-12	53.9	1-7/8
6400-16-24-O	1-5/16-12	1-7/8-12	53.9	2-1/8
6400-20-12-O	1-5/8-12	1-1/16-12	58.4	1-11/16
6400-20-16-O	1-5/8-12	1-5/16-12	59.2	1-11/16
6400-20-20-O	1-5/8-12	1-5/8-12	55.1	1-7/8
6400-20-24-O	1-5/8-12	1-7/8-12	56.9	2-1/8
6400-24-12-O	1-7/8-12	1-1/16-12	63.5	2
6400-24-16-O	1-7/8-12	1-5/16-12	64.3	2
6400-24-20-O	1-7/8-12	1-5/8-12	64.3	2
6400-24-24-O	1-7/8-12	1-7/8-12	60.2	2-1/8
6400-24-32-O	1-7/8-12	2-1/2-12	62.3	2-3/4
6400-32-20-O	2-1/2-12	1-5/8-12	70.6	2-5/8
6400-32-24-O	2-1/2-12	1-7/8-12	70.6	2-5/8
6400-32-32-O	2-1/2-12	2-1/2-12	70.6	2-3/4

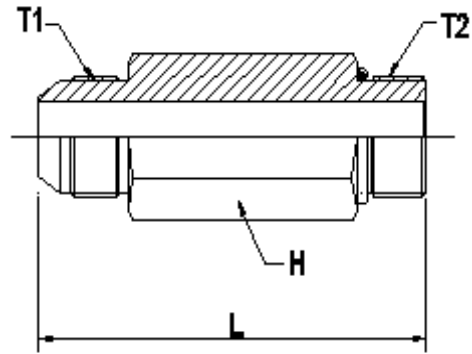
the process quality of sannke parts are assured by **KEYENCE** and **Mitutoyo**'s inspection machine .

Sannke[®]



Fittings & Adapters

6400-L SERIES (LONG STRAIGHT)
 (1) 37° MALE TUBE
 (2) O-RING BOSS
 SAE# 070122



PART NUMBER	T1(UNF/UN-2A)	T2(UNF/UN-2A)	L	H (INCH)
6400-L-04-04-O	7/16-20	7/16-20	52.8	9/16
6400-L-06-06-O	9/16-18	9/16-18	58.7	11/16
6400-L-08-08-O	3/4-16	3/4-16	68.6	7/8
6400-L-10-10-O	7/8-14	7/8-14	77.2	1
6400-L-12-12-O	1-1/16-12	1-1/16-12	91.7	1-1/4
6400-L-16-16-O	1-5/16-12	1-5/16-12	101.1	1-1/2
6400-L-20-20-O	1-5/8-12	1-5/8-12	119.1	1-7/8

the process quality of sannke parts are assured by **KEYENCE** and **Mitutoyo**'s inspection machine .

Sannke[®]



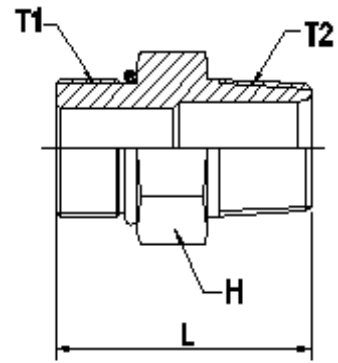
Fittings & Adapters

6401 SERIES (STRAIGHT)

(1) O-RING BOSS

(2) MALE PIPE

SAE#



PART NUMBER	T1(UNF/UN-2A)	T2(UNF/UN-2A)	L	H (INCH)
6401-04-04-O	7/16-20	1/4-18	31.3	9/16
6401-04-06-O	7/16-20	3/8-18	31.8	3/4
6401-05-02-O	1/2-20	1/8-27	26.9	5/8
6401-05-04-O	1/2-20	1/4-18	31.4	5/8
6401-06-02-O	9/16-18	1/8-27	27.5	11/16
6401-06-08-O	9/16-18	1/2-14	38.6	7/8
6401-08-04-O	3/4-16	1/4-18	35.1	7/8
6401-08-08-O	3/4-16	1/2-14	39.4	7/8
6401-08-12-O	3/4-16	3/4-14	41.5	1-1/8
6401-10-04-O	7/8-14	1/4-18	37.1	1
6401-10-06-O	7/8-14	3/8-18	38.1	1
6401-10-08-O	7/8-14	1/2-14	43.0	1
6401-10-12-O	7/8-14	3/4-14	43.1	1-1/8
6401-12-06-O	1-1/16-12	3/8-18	41.2	1-1/4
6401-12-08-O	1-1/16-12	1/2-14	47.2	1-1/4
6401-12-12-O	1-1/16-12	3/4-14	47.2	1-1/4
6401-12-16-O	1-1/16-12	1-11-1/2	50.9	1-3/8
6401-16-08-O	1-5/16-12	1/2-14	46.8	1-1/2
6401-16-12-O	1-5/16-12	3/4-14	47.8	1-1/2
6401-16-16-O	1-5/16-12	1-11-1/2	52.6	1-1/2
6401-16-20-O	1-5/16-12	1-1/4-11-1/2	54.4	
6401-20-16-O	1-5/8-12	1-11-1/2	54.7	1-7/8
6401-20-20-O	1-5/8-12	1-1/4-11-1/2	54.4	1-7/8
6401-24-16-O	1-7/8-12	1-11-1/2	56.4	2-1/8
6401-24-20-O	1-7/8-12	1-1/4-11-1/2	57.2	2-1/8
6401-24-24-O	1-7/8-12	1-1/2-11-1/2	58.1	2-1/8
6401-32-32-O	2-1/2-12	2-11-1/2	62.9	2-3/4

the process quality of sannke parts are assured by **KEYENCE** and **Mitutoyo**'s inspection machine .

Sannke[®]



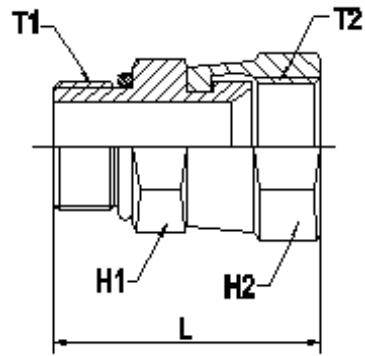
Fittings & Adapters

6402 SERIES (STRAIGHT)

(1) O-RING BOSS

(2) 37° FEMALE SWIVEL

SAE#



PART NUMBER	T1(UNF/UN-2A)	T2(UNF/UN-2B)	L	H1(INCH)	H2(INCH)
6402-03-02-O	3/8-24	5/16-24	31.6	1/2	7/16
6402-04-03-O	7/16-20	3/8-24	33.7	9/16	1/2
6402-04-04-O	7/16-20	7/16-20	34.1	9/16	9/16
6402-04-05-O	7/16-20	1/2-20	35.8	9/16	5/8
6402-04-06-O	7/16-20	9/16-18	35.8	9/16	11/16
6402-04-08-O	7/16-20	3/4-16	43.2	3/4	7/8
6402-04-10-O	7/16-20	7/8-14	47.4	7/8	1
6402-05-05-O	1/2-20	1/2-20	34.8	5/8	5/8
6402-06-04-O	9/16-18	7/16-20	34.7	11/16	9/16
6402-06-06-O	9/16-18	9/16-18	38.4	11/16	11/16
6402-06-08-O	9/16-18	3/4-16	39.9	11/16	7/8
6402-08-06-O	3/4-16	9/16-18	40.5	7/8	11/16
6402-08-08-O	3/4-16	3/4-16	42.8	7/8	7/8
6402-08-10-O	3/4-16	7/8-14	44.5	7/8	1
6402-08-12-O	3/4-16	1-1/16-12	53.0	1	1-1/4
6402-10-06-O	7/8-14	9/16-18	43.5	1	11/16
6402-10-08-O	7/8-14	3/4-16	46.0	1	7/8
6402-10-10-O	7/8-14	7/8-14	50.1	1	1
6402-10-12-O	7/8-14	1-1/16-12	51.6	1	1-1/4
6402-12-08-O	1-1/16-12	3/4-16	49.0	1-1/4	7/8
6402-12-12-O	1-1/16-12	1-1/16-12	55.7	1-1/4	1-1/4
6402-16-16-O	1-5/16-12	1-5/16-12	58.8	1-1/2	1-1/2
6402-20-20-O	1-5/8-12	1-5/8-12	61.7	1-7/8	2
6402-24-24-O	1-7/8-12	1-7/8-12	67.7	2-1/8	2-1/2
6402-32-32-O	2-1/2-12	2-1/2-12	79.1	2-3/4	3

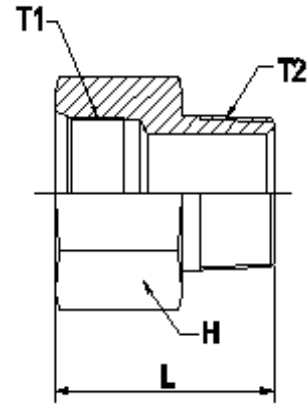
the process quality of sannke parts are assured by **KEYENCE** and **Mitutoyo**'s inspection machine.

Sannke[®]



Fittings & Adapters

6404 SERIES (STRAIGHT)
 (1) O-RING FEMALE BOSS
 (2) MALE PIPE
 SAE#



PART NUMBER	T1(UNF/UN-2A)	T2(NPTF)	L	H (INCH)
6404-04-02-O	7/16-20	1/8-27	28.7	11/16
6404-04-04-O	7/16-20	1/4-18	33.5	11/16
6404-04-06-O	7/16-20	3/8-18	28.7	11/16
6404-05-02-O	1/2-20	1/8-27	30.0	3/4
6404-05-04-O	1/2-20	1/4-18	35.3	3/4
6404-06-04-O	9/16-18	1/4-18	35.3	7/8
6404-06-06-O	9/16-18	3/8-18	35.4	7/8
6404-06-08-O	9/16-18	1/2-14	36.8	7/8
6404-08-06-O	3/4-16	3/8-18	38.1	1
6404-08-08-	3/4-16	1/2-14	43.2	1
6404-08-12-O	3/4-16	3/4-14	42.9	1-1/8
6404-10-06-O	7/8-14	3/8-18	41.2	1-1/8
6404-10-08-O	7/8-14	1/2-14	43.7	1-1/8
6404-10-12-O	7/8-14	3/4-14	43.7	1-1/8
6404-12-06-O	1-1/16-12	3/8-18	43.9	1-3/8
6404-12-08-O	1-1/16-12	1/2-14	49.8	1-3/8
6404-12-12-O	1-1/16-12	3/4-14	49.8	1-3/8
6404-14-12-O	1-3/16-12	3/4-14	51.8	1-1/2
6404-16-12-O	1-5/16-12	3/4-14	53.9	1-5/8
6404-16-16-O	1-5/16-12	1-11-1/2	56.4	1-5/8
6404-20-20-O	1-5/8-12	1-1/4-11-1/2	59.4	2-1/8
6404-24-24-O	1-7/8-12	1-1/2-11-1/2	58.4	2-1/4
6404-32-32-O	2-1/2-12	2-11-12	67.6	2-7/8

the process quality of sannke parts are assured by **KEYENCE** and **Mitutoyo** 's inspection machine .

Sannke[®]



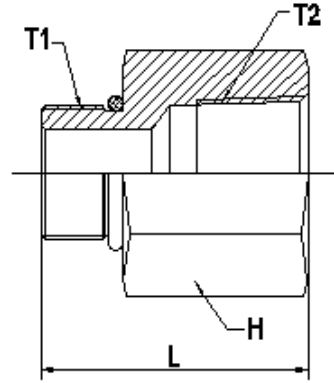
Fittings & Adapters

6405 SERIES (STRAIGHT)

(1) O-RING BOSS

(2) FEMALE PIPE

SAE#



PART NUMBER	T1(UNF/UN-2A)	T2(NPTF)	L	H (INCH)
6405-02-02-O	5/16-24	1/8-27	22.4	9/16
6405-02-04-O	5/16-24	1/4-18	31.2	3/4
6405-03-02-O	3/8-24	1/8-27	22.4	9/16
6405-03-04-O	3/8-24	1/4-18	30.8	3/4
6405-04-02-O	7/16-20	1/8-27	24.6	9/16
6405-04-04-O	7/16-20	1/4-18	30.2	3/4
6405-04-06-O	7/16-20	3/8-18	30.7	7/8
6405-05-02-O	1/2-20	1/8-27	24.9	5/8
6405-05-04-O	1/2-20	1/4-18	29.5	3/4
6405-06-02-O	9/16-18	1/8-27	21.0	11/16
6405-06-04-O	9/16-18	1/4-18	29.2	3/4
6405-06-06-O	9/16-18	3/8-18	29.5	7/8
6405-06-08-O	9/16-18	1/2-14	35.6	1-1/8
6405-06-12-O	9/16-18	3/4-14	40.3	1-3/8
6405-08-02-O	3/4-16	1/8-27	20.6	7/8
6405-08-04-O	3/4-16	1/4-18	29.5	7/8
6405-08-06-O	3/4-16	3/8-18	32.5	7/8
6405-08-08-O	3/4-16	1/2-14	36.6	1-1/8
6405-08-12-O	3/4-16	3/4-14	39.1	1-3/8
6405-10-04-O	7/8-14	1/4-18	20.6	1
6405-10-06-O	7/8-14	3/8-18	39.4	1-1/8
6405-10-08-O	7/8-14	1/2-14	39.3	1-1/8
6405-10-12-O	7/8-14	3/4-14	42.2	1-3/8
6405-12-04-O	1-1/16-12	1/4-18	27.7	1-1/4
6405-12-06-O	1-1/16-12	3/8-18	27.7	1-1/4

the process quality of sannke parts are assured by **KEYENCE** and **Mitutoyo**'s inspection machine .

Sannke[®]



Fittings & Adapters

PART NUMBER	T1(UNF/UN-2A)	T2(NPTF)	L	H (INCH)
6405-12-08-O	1-1/16-12	1/2-14	34.3	1-1/4
6405-12-12-O	1-1/16-12	3/4-14	40.4	1-3/8
6405-12-16-O	1-1/16-12	1-11-1/2	48.5	1-5/8
6405-14-12-O	1-3/16-12	3/4-14	40.5	1-3/8
6405-14-16-O	1-3/16-13	1-11-1/2	44.5	1-5/8
6405-16-06-O	1-5/16-12	3/8-18	28.7	1-1/2
6405-16-08-O	1-5/16-12	1/2-14	40.9	1-1/2
6405-16-12-O	1-5/16-12	3/4-14	38.4	1-1/2
6405-16-16-O	1-5/16-12	1-11-1/2	46.8	1-5/8
6405-16-20-O	1-5/16-12	1-1/4-11-1/2	47.5	2
6405-16-24-O	1-5/16-12	1-1/2-11-1/2	50.6	2-5/16
6405-20-08-O	1-5/8-12	1/2-14	30.4	1-7/8
6405-20-12-O	1-5/8-12	3/4-14	25.4	1-7/8
6405-20-20-O	1-5/8-12	1-1/4-11-1/2	47.6	2
6405-20-24-O	1-5/8-12	1-1/2-11-1/2	50.6	2-5/16
6405-20-32-O	1-5/8-12	2-11-1/2	57.2	2-7/8
6405-24-12-O	1-7/8-12	3/4-14	25.4	2-1/8
6405-24-16-O	1-7/8-12	1-11-1/2	25.4	2-1/8
6405-24-20-O	1-7/8-12	1-1/4-11-1/2	46.4	2-1/8
6405-24-24-O	1-7/8-12	1-1/2-11-1/2	54.4	2-5/16
6405-32-16-O	2-1/2-12	1-11-1/2	36.4	2-3/4
6405-32-24-O	2-1/2-12	1-1/2-11-1/2	50.8	2-3/4
6405-32-32-O	2-1/2-12	2-11-1/2	52.3	2-7/8

the process quality of sannke parts are assured by **KEYENCE** and **Mitutoyo**'s inspection machine .

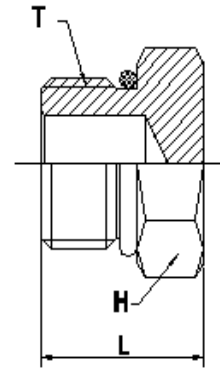
Sannke[®]



Fittings & Adapters

6408 SERIES (CROSS)
HEXAGN HEAD O-RING BOSS PLUG

SAE# 090109A



PART NUMBER	T(UNF/UN-2A)	L	H (INCH)
6408-02-O	5/16-24	15.2	7/16
6408-03-O	3/8-24	15.2	1/2
6408-04-O	7/16-20	17.0	9/16
6408-05-O	1/2-20	17.0	5/8
6408-06-O	9/16-18	18.5	11/16
6408-08-O	3/4-16	20.3	7/8
6408-10-O	7/8-14	23.6	1
6408-12-O	1-1/16-12	27.7	1-1/4
6408-14-O	1-3/16-12	27.7	1-3/8
6408-16-O	1-5/16-12	28.4	1-1/2
6408-20-O	1-5/8-12	30.5	1-7/8
6408-24-O	1-7/8-12	32.3	2-1/8
6408-32-O	2-1/2-12	36.3	2-3/4

the process quality of sannke parts are assured by **KEYENCE** and **Mitutoyo** 's inspection machine .

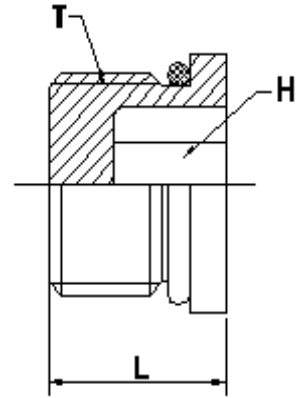
Sannke[®]



Fittings & Adapters

6408-HHP SERIES (OR 6409)
 HEXAGN SOCKET O-RING BOSS PLUG

SAE# 090109B



PART NUMBER	T(UNF/UN-2A)	L	H (INCH)
6408-HHP-02-O	5/16-24	10.2	1/8
6408-HHP-03-O	3/8-24	10.2	1/8
6408-HHP-04-O	7/16-20	11.9	3/16
6408-HHP-05-O	1/2-20	11.9	3/16
6408-HHP-06-O	9/16-18	12.7	1/4
6408-HHP-08-O	3/4-16	14.7	5/16
6408-HHP-10-O	7/8-14	16.5	3/8
6408-HHP-12-O	1-1/16-12	19.6	9/16
6408-HHP-14-O	1-3/16-12	19.6	9/16
6408-HHP-16-O	1-5/16-12	19.6	5/8
6408-HHP-20-O	1-5/8-12	19.6	3/4
6408-HHP-24-O	1-7/8-12	19.6	3/4
6408-HHP-32-O	2-1/2-12	19.6	3/4

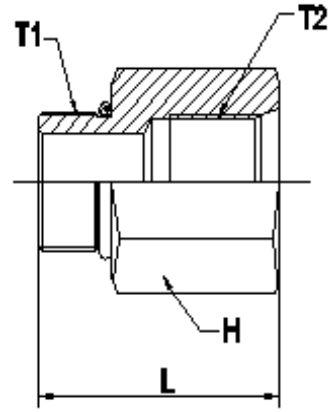
the process quality of sannke parts are assured by **KEYENCE** and **Mitutoyo** 's inspection machine .

Sannke[®]



Fittings & Adapters

6410 SERIES (STRAIGHT)
 (1) O-RING BOSS
 (2) O-RING FEMALE BOSS
 SAE#



PART NUMBER	T1(UNF/UN-2A)	T2(UNF/UN-2B)	L	H (INCH)
6410-02-04-O	5/16-24	7/16	7/16	25.8
6410-03-04-O	3/8-24	7/16	7/16	30.0
6410-04-03-O	7/16-20	3/8-24	3/8-24	25.8
6410-04-04-O	7/16-20	7/16-20	7/16-20	27.6
6410-04-05-O	7/16-20	1/2-20	1/2-20	27.6
6410-04-06-O	7/16-20	9/16-18	9/16-18	29.5
6410-04-08-O	7/16-20	3/4-16	3/4-16	35.4
6410-05-06-O	1/2-20	9/16-18	9/16-18	28.7
6410-06-04-O	9/16-18	7/16-20	7/16-20	26.2
6410-06-05-O	9/16-18	1/2-20	1/2-20	27.6
6410-06-06-O	9/16-18	9/16-18	9/16-18	31.0
6410-06-08-O	9/16-18	3/4-16	3/4-16	35.3
6410-08-04-O	3/4-16	7/16-20	7/16-20	20.6
6410-08-06-O	3/4-16	9/16-18	9/16-18	29.5
6410-08-08-O	3/4-16	3/4-16	3/4-16	35.3
6410-08-10-O	3/4-16	7/8-14	7/8-14	37.6
6410-08-12-O	3/4-16	1-1/16-12	1-1/16-12	41.9
6410-10-04-O	7/8-14	7/16-20	7/16-20	23.9
6410-10-06-O	7/8-14	9/16-18	9/16-18	23.9
6410-10-08-O	7/8-14	3/4-16	3/4-16	33.3
6410-10-10-O	7/8-14	7/8-14	7/8-14	37.9
6410-10-12-O	7/8-14	1-1/16-12	1-1/16-12	42.2
6410-12-04-O	1-1/16-12	7/16-20	7/16-20	27.7
6410-12-06-O	1-1/16-12	9/16-18	9/16-18	27.7
6410-12-08-O	1-1/16-12	3/4-16	3/4-16	27.7

the process quality of sannke parts are assured by **KEYENCE** and **Mitutoyo**'s inspection machine.

Sannke[®]



Fittings & Adapters

PART NUMBER	T1(UNF/UN-2A)	T2(UNF/UN-2B)	L	H (INCH)
6410-12-10-O	1-1/16-12	7/8-14	39.6	1-1/4
6410-12-12-O	1-1/16-12	1-1/16-12	45.0	1-3/8
6410-12-16-O	1-1/16-12	1-5/16-12	46.0	1-5/8
6410-12-20-O	1-1/16-12	1-5/8-12	50.8	2
6410-14-10-O	1-3/16-12	7/8-14	27.7	1-3/8
6410-14-12-O	1-3/16-12	1-1/16-12	43.7	1-3/8
6410-14-16-O	1-3/16-12	1-5/16-12	44.5	1-5/8
6410-16-04-O	1-5/16-12	7/16-20	28.7	1-1/2
6410-16-06-O	1-5/16-12	9/16-18	28.7	1-1/2
6410-16-08-O	1-5/16-12	3/4-16	28.7	1-1/2
6410-16-10-O	1-5/16-12	7/8-14	28.5	1-1/2
6410-16-12-O	1-5/16-12	1-1/16-12	43.4	1-1/2
6410-16-14-O	1-5/16-12	1-3/16-12	43.7	1-1/2
6410-16-20-O	1-5/16-12	1-5/8-12	48.3	2
6410-16-24-O	1-5/16-12	1-7/8-12	53.1	2-1/4
6410-20-08-O	1-5/8-12	3/4-16	25.4	1-7/8
6410-20-10-O	1-5/8-12	7/8-14	25.4	1-7/8
6410-20-12-O	1-5/8-12	1-1/16-12	25.4	1-7/8
6410-20-16-O	1-5/8-12	1-5/16-12	25.4	1-7/8
6410-20-24-O	1-5/8-12	1-7/8-12	47.8	2-1/4
6410-24-12-O	1-7/8-12	1-1/16-12	32.3	2-1/8
6410-24-16-O	1-7/8-12	1-5/16-12	32.3	2-1/8
6410-24-20-O	1-7/8-12	1-5/8-12	40.1	2-1/8
6410-32-16-O	2-1/2-12	1-5/16-12	36.3	2-3/4
6410-32-20-O	2-1/2-12	1-5/8-12	36.3	2-3/4
6410-32-24-O	2-1/2-12	1-7/8-12	36.6	2-3/4

the process quality of sannke parts are assured by **KEYENCE** and **Mitutoyo**'s inspection machine .

Sannke[®]



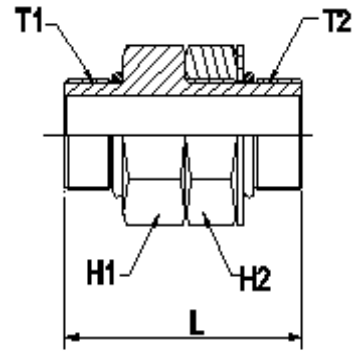
Fittings & Adapters

6464 SERIES (STRAIGHT)

(1) O-RING BOSS

(2) ADJUSTABLE O-RING.

SAE#



PART NUMBER	T1(UNF/UN-2A)	T2(UNF/UN-2A)	L	H1(INCH)	H2(INCH)
6464-04-04-NWO	7/16-20	7/16-20	34.8	9/16	9/16
6464-05-05-NWO	1/2-20	1/2-20	34.8	5/8	5/8
6464-06-06-NWO	9/16-18	9/16-18	38.0	11/16	11/16
6464-08-08-NWO	3/4-16	3/4-16	41.6	7/8	7/8
6464-10-08-NWO	7/8-14	3/4-16	45.8	1	7/8
6464-10-10-NWO	7/8-14	7/8-14	48.3	1	1
6464-12-12-NWO	1-1/16-12	1-1/16-12	57.1	1-1/4	1-1/4
6464-16-12-NWO	1-5/16-12	1-1/16-12	57.6	1-1/2	1-1/4
6464-16-16-NWO	1-5/16-12	1-5/16-12	56.8	1-1/2	1-1/2
6464-20-20-NWO	1-5/8-12	1-5/8-12	56.8	1-7/8	1-7/8
6464-24-24-NWO	1-7/8-12	1-7/8-12	56.8	2-1/8	2-1/8
6464-32-32-NWO	2-1/2-12	2-1/2-12	56.8	2-3/4	2-3/4

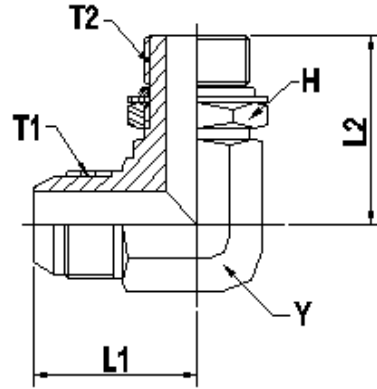
the process quality of sannke parts are assured by **KEYENCE** and **Mitutoyo**'s inspection machine.

Sannke[®]



Fittings & Adapters

6801 SERIES(90° ELBOW)
 (1) 37° MALE TUBE
 (2) ADJUSTABLE O-RING
 SAE# 070220



PART NUMBER	T1(UNF/UN-2A)	T2(UNF/UN-2A)	L1	L2	Y(INCH)	H(INCH)
6801-02-02-NWO	5/16-24	5/16-24	19.6	23.9	7/16	7/16
6801-02-04-NWO	5/16-24	7/16-20	19.8	26.2	7/16	9/16
6801-03-03-NWO	3/8-24	3/8-24	21.1	23.9	7/16	1/2
6801-03-05-NWO	3/8-24	1/2-20	22.1	28.7	9/16	5/8
6801-04-02-NWO	7/16-20	5/16-24	22.6	23.4	7/16	7/16
6801-04-03-NWO	7/16-20	3/8-24	22.6	23.9	7/16	1/2
6801-04-04-NWO	7/16-20	7/16-20	22.6	26.1	7/16	9/16
6801-04-05-NWO	7/16-20	1/2-20	24.1	28.7	9/16	5/8
6801-04-06-NWO	7/16-20	9/16-18	26.7	31.8	9/16	11/16
6801-04-08-NWO	7/16-20	3/4-16	28.5	36.8	3/4	7/8
6801-04-10-NWO	7/16-20	7/8-14	30.7	43.2	7/8	1
6801-05-03-NWO	1/2-20	3/8-24	24.1	25.9	9/16	1/2
6801-05-04-NWO	1/2-20	7/16-20	24.1	28.7	9/16	9/16
6801-05-05-NWO	1/2-20	1/2-20	24.1	28.7	9/16	5/8
6801-05-06-NWO	1/2-20	9/16-18	26.7	34.8	9/16	11/16
6801-05-08-NWO	1/2-20	3/4-16	28.5	36.8	3/4	7/8
6801-05-10-NWO	1/2-20	7/8-14	30.7	43.2	7/8	1
6801-06-04-NWO	9/16-18	7/16-20	26.9	30.2	9/16	9/16
6801-06-05-NWO	9/16-18	1/2-20	26.9	30.2	9/16	5/8
6801-06-06-NWO	9/16-18	9/16-18	26.9	31.8	9/16	11/16
6801-06-08-NWO	9/16-18	3/4-16	29.0	36.8	3/4	7/8
6801-06-10-NWO	9/16-18	7/8-14	31.0	43.2	7/8	1
6801-06-12-NWO	9/16-18	1-1/16-12	33.3	49.2	1-1/16	1-1/4
6801-08-04-NWO	3/4-16	7/16-20	31.8	32.0	3/4	9/16
6801-08-05-NWO	3/4-16	1/2-20	31.8	32.0	3/4	5/8
6801-08-06-NWO	3/4-16	9/16-18	31.8	33.8	3/4	11/16
6801-08-08-NWO	3/4-16	3/4-16	31.8	36.8	3/4	7/8
6801-08-10-NWO	3/4-16	7/8-14	33.8	43.2	7/8	1

the process quality of sannke parts are assured by **KEYENCE** and **Mitutoyo**'s inspection machine .

Sannke[®]



Fittings & Adapters

PART NUMBER	T1(UNF/UN-2A)	T2(UNF/UN-2A)	L1	L2	Y(INCH)	H(INCH)
6801-08-12-NWO	3/4-16	1-1/16-12	36.1	49.3	1-1/16	1-1/4
6801-08-16-NWO	3/4-16	1-5/16-12	38.6	52.1	1-5/16	1-1/2
6801-10-05-NWO	7/8-14	1/2-20	36.8	34.3	7/8	5/8
6801-10-06-NWO	7/8-14	9/16-18	36.8	35.8	7/8	11/16
6801-10-08-NWO	7/8-14	3/4-16	36.8	39.1	7/8	7/8
6801-10-10-NWO	7/8-14	7/8-14	36.8	43.2	7/8	1
6801-10-12-NWO	7/8-14	1-1/16-12	39.1	49.3	1-1/16	1-1/4
6801-10-16-NWO	7/8-14	1-5/16-12	41.7	52.1	1-5/16	1-1/2
6801-10-20-NWO	7/8-14	1-5/8-12	46.7	57.2	1-5/8	1-7/8
6801-12-06-NWO	1-1/16-12	9/16-18	42.2	37.9	1-1/16	11/16
6801-12-08-NWO	1-1/16-12	3/4-16	42.2	41.2	1-1/16	7/8
6801-12-10-NWO	1-1/16-12	7/8-14	42.2	45.2	1-1/16	1
6801-12-12-NWO	1-1/16-12	1-1/16-12	42.2	49.3	1-1/16	1-1/4
6801-12-14-NWO	1-1/16-12	1-3/16-12	45.0	50.8	1-5/16	1-3/8
6801-12-16-NWO	1-1/16-12	1-5/16-12	44.7	52.1	1-5/16	1-1/2
6801-12-20-NWO	1-1/16-12	1-5/8-12	50.0	57.2	1-5/8	1-7/8
6801-14-12-NWO	1-3/16-12	1-1/16-12	45.7	50.8	1-5/16	1-1/4
6801-14-14-NWO	1-3/16-12	1-3/16-12	45.7	50.8	1-5/16	1-3/8
6801-14-16-NWO	1-3/16-12	1-5/16-12	45.5	52.1	1-5/16	1-1/2
6801-16-08-NWO	1-5/16-12	3/4-16	46.0	43.9	1-5/16	7/8
6801-16-10-NWO	1-5/16-12	7/8-14	46.0	48.0	1-5/16	1
6801-16-12-NWO	1-5/16-12	1-1/16-12	46.0	52.1	1-5/16	1-1/4
6801-16-14-NWO	1-5/16-12	1-3/16-12	46.0	52.0	1-5/16	1-3/8
6801-16-16-NWO	1-5/16-12	1-5/16-12	46.0	52.1	1-5/16	1-1/2
6801-16-20-NWO	1-5/16-12	1-5/8-12	51.1	57.2	1-5/8	1-7/8
6801-16-24-NWO	1-5/16-12	1-7/8-12	54.9	60.7	1-7/8	2-1/8
6801-20-12-NWO	1-5/8-12	1-1/16-12	52.3	57.2	1-5/8	1-1/4
6801-20-16-NWO	1-5/8-12	1-5/16-12	52.3	57.2	1-5/8	1-1/2
6801-20-20-NWO	1-5/8-12	1-5/8-12	52.3	57.2	1-5/8	1-7/8
6801-20-24-NWO	1-5/8-12	1-7/8-12	55.9	60.7	1-7/8	2-1/8
6801-24-16-NWO	1-7/8-12	1-5/16-12	59.2	60.7	1-7/8	1-1/2
6801-24-20-NWO	1-7/8-12	1-5/8-12	59.2	60.7	1-7/8	1-7/8
6801-24-24-NWO	1-7/8-12	1-7/8-12	59.2	60.7	1-7/8	2-1/8
6801-24-32-NWO	1-7/8-12	2-1/2-12	71.3	73.4	2-1/2	2-3/4
6801-32-24-NWO	2-1/2-12	1-7/8-12	77.7	73.4	2-1/2	2-1/4
6801-32-32-NWO	2-1/2-12	2-1/2-12	77.7	73.4	2-1/2	2-3/4

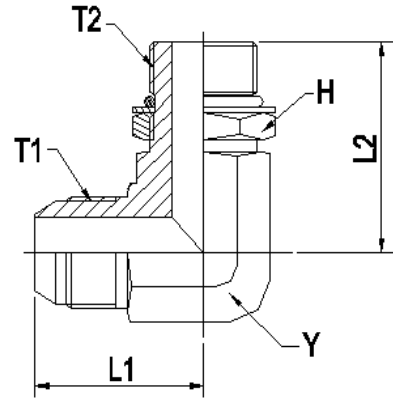
the process quality of sannke parts are assured by **KEYENCE** and **Mitutoyo**'s inspection machine .

Sannke[®]



Fittings & Adapters

6801-L SERIES(90° ELBOW)
 (1) 37° MALE FLARE
 (2) ADJUSTABLE O-RING-LONG
 SAE#



PART NUMBER	T1(UNF/UN-2A)	T2(UNF/UN-2A)	L1	L2	Y(INCH)	H(INCH)
6801-L-04-04-NWO	7/16-20	7/16-20	22.6	30.2	7/16	9/16
6801-L-06-06-NWO	9/16-18	9/16-18	26.9	42.3	9/16	11/16
6801-L-06-08-NWO	9/16-18	3/4-16	29.0	46.0	3/4	7/8
6801-L-08-06-NWO	3/4-16	9/16-18	31.8	44.5	3/4	11/16
6801-L-08-08-NWO	3/4-16	3/4-16	31.8	46.0	3/4	7/8
6801-L-08-10-NWO	3/4-16	7/8-14	33.8	54.1	7/8	1
6801-L-10-10-NWO	7/8-14	7/8-14	36.8	54.9	7/8	1
6801-L-10-12-NWO	7/8-14	1-1/16-12	39.1	57.2	1-1/16	1-1/4
6801-L-12-12-NWO	1-1/16-12	1-1/16-12	42.2	62.7	1-1/16	1-1/4
6801-L-16-16-NWO	1-5/16-12	1-5/16-12	46.0	77.7	1-5/16	1-1/2
6801-L-20-20-NWO	1-5/8-12	1-5/8-12	52.3	88.3	1-5/8	1-7/8

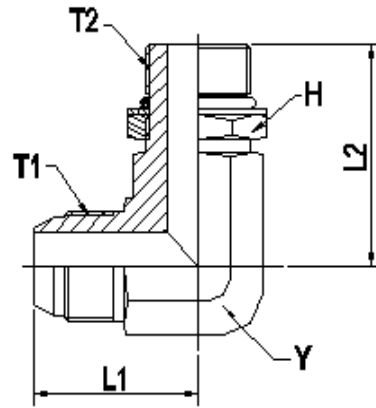
the process quality of sannke parts are assured by **KEYENCE** and **Mitutoyo**'s inspection machine .

Sannke[®]



Fittings & Adapters

6801-LL SERIES(90° ELBOW)
 (1) 37° MALE FLARE
 (2) ADJUSTABLE O-RING-X-LONG
 SAE#



PART NUMBER	T1(UNF/UN-2A)	T2(UNF/UN-2A)	L1	L2	Y(INCH)	H(INCH)
6801-LL-04-04-NWO	7/16-20	7/16-20	22.6	43.9	7/16	9/16
6801-LL-04-06-NWO	7/16-20	9/16-18	26.7	52.6	9/16	11/16
6801-LL-06-06-NWO	9/16-18	9/16-18	26.9	52.8	9/16	11/16
6801-LL-06-08-NWO	9/16-18	3/4-16	29.0	63.3	3/4	7/8
6801-LL-08-06-NWO	3/4-16	9/16-18	31.8	55.4	3/4	11/16
6801-LL-08-08-NWO	3/4-16	3/4-16	31.8	63.3	3/4	7/8
6801-LL-08-10-NWO	3/4-16	7/8-14	33.8	82.0	7/8	1
6801-LL-10-08-NWO	7/8-14	3/4-16	36.8	65.0	7/8	7/8
6801-LL-10-10-NWO	7/8-14	7/8-14	36.8	82.0	7/8	1
6801-LL-10-12-NWO	1-1/16-12	1-1/16-12	42.2	84.8	1-1/16	1-1/4
6801-LL-12-12-NWO	1-5/16-12	1-1/16-12	46.0	87.9	1-5/16	1-1/4
6801-LL-16-16-NWO	1-5/16-12	1-5/16-12	46.0	94.2	1-5/16	1-1/2
6801-LL-20-20-NWO	1-5/8-12	1-5/8-12	52.3	111.8	1-5/8	1-7/8

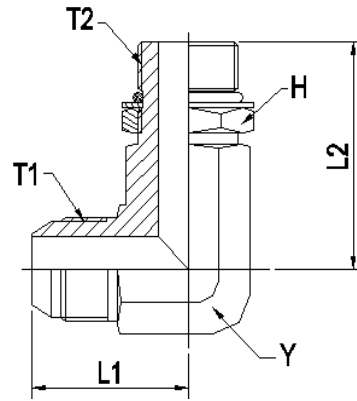
the process quality of sannke parts are assured by **KEYENCE** and **Mitutoyo** 's inspection machine .

Sannke[®]



Fittings & Adapters

6801-LLL SERIES(90° ELBOW)
 (1) 37° MALE FLARE
 (2) ADJUSTABLE O-RING-XX-LONG
 SAE#



PART NUMBER	T1(UNF/UN-2A)	T2(UNF/UN-2A)	L1	L2	Y(INCH)	H(INCH)
6801-LLL-04-04-NWO	7/16-20	7/16-20	22.6	61.9	7/16	9/16
6801-LLL-06-06-NWO	9/16-18	9/16-18	26.9	78.0	9/16	11/16
6801-LLL-08-08-NWO	3/4-16	3/4-16	31.8	90.7	3/4	7/8

the process quality of sannke parts are assured by **KEYENCE** and **Mitutoyo** 's inspection machine .

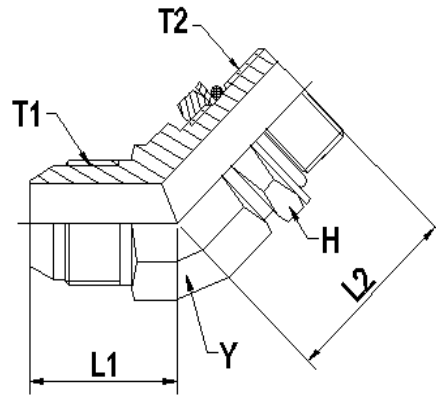
Fittings & Adapters

6802 SERIES(45° ELBOW)

(1) 37° MALE TUBE

(2) ADJUSTABLE O-RING

SAE# 070320



PART NUMBER	T1(UNF/UN-2A)	T2(UNF/UN-2A)	L1	L2	Y(INCH)	H(INCH)
6802-02-02-NWO	5/16-24	5/16-24	17.5	22.4	7/16	7/16
6802-03-03-NWO	3/8-24	3/8-24	17.5	22.4	7/16	1/2
6802-04-04-NWO	7/16-20	7/16-20	18.3	26.7	7/16	9/16
6802-04-05-NWO	7/16-20	1/2-20	19.6	26.7	9/16	5/8
6802-04-06-NWO	7/16-20	9/16-18	20.8	29.0	9/16	11/16
6802-04-08-NWO	7/16-20	3/4-16	21.6	33.0	3/4	7/8
6802-05-04-NWO	1/2-20	7/16-20	19.6	26.7	9/16	9/16
6802-05-05-NWO	1/2-20	1/2-20	19.6	26.7	9/16	5/8
6802-05-06-NWO	1/2-20	9/16-18	20.8	29.0	9/16	11/16
6802-06-04-NWO	9/16-18	7/16-20	21.1	27.4	9/16	9/16
6802-06-05-NWO	9/16-18	1/2-20	21.1	27.4	9/16	5/8
6802-06-06-NWO	9/16-18	9/16-18	21.1	29.0	9/16	11/16
6802-06-08-NWO	9/16-18	3/4-16	22.1	33.0	3/4	7/8
6802-06-10-NWO	9/16-18	7/8-14	22.4	38.6	7/8	1
6802-08-04-NWO	3/4-16	7/16-20	24.9	28.2	3/4	9/16
6802-08-06-NWO	3/4-16	9/16-18	24.9	29.7	3/4	11/16
6802-08-08-NWO	3/4-16	3/4-16	24.9	33.0	3/4	7/8
6802-08-10-NWO	3/4-16	7/8-14	25.2	38.6	7/8	1
6802-08-12-NWO	3/4-16	1-1/16-12	26.4	43.9	1-1/16	1-1/4
6802-10-08-NWO	7/8-14	3/4-16	28.2	34.5	7/8	7/8
6802-10-10-NWO	7/8-14	7/8-14	28.2	38.6	7/8	1
6802-10-12-NWO	7/8-14	1-1/16-12	29.5	43.9	1-1/16	1-1/4
6802-12-08-NWO	1-1/16-12	3/4-16	32.5	35.8	1-1/16	7/8
6802-12-10-NWO	1-1/16-12	7/8-14	32.5	39.9	1-1/16	1
6802-12-12-NWO	1-1/16-12	1-1/16-12	32.5	43.9	1-1/16	1-1/4
6802-12-16-NWO	1-1/16-12	1-5/16-12	36.1	47.2	1-5/16	1-1/2
6802-16-12-NWO	1-5/16-12	1-1/16-12	37.3	47.2	1-5/16	1-1/4
6802-16-16-NWO	1-5/16-12	1-5/16-12	37.3	47.2	1-5/16	1-1/2
6802-16-20-NWO	1-5/16-12	1-5/8-12	39.1	48.5	1-5/8	1-7/8
6802-20-16-NWO	1-5/8-12	1-5/16-12	40.4	48.5	1-5/9	1-1/2
6802-20-20-NWO	1-5/8-12	1-5/8-12	40.3	48.5	1-5/10	1-7/8
6802-24-20-NWO	1-7/8-12	1-5/8-12	45.2	48.5	1-7/8	1-7/8
6802-24-24-NWO	1-7/8-12	1-7/8-12	45.2	48.5	1-7/8	2-1/8
6802-32-32-NWO	2-1/2-12	2-1/2-12	56.4	50.4	2-1/2	2-3/4

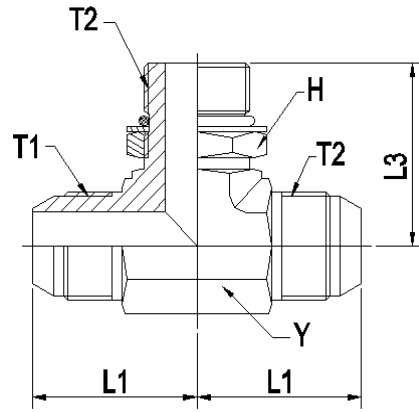
the process quality of sannke parts are assured by **KEYENCE** and **Mitutoyo**'s inspection machine .

Sannke®



Fittings & Adapters

6803 SERIES (TEE)
 (1)&(2) 37° MALE TUBE
 (3) ADJUSTABLE O-RING
 SAE# 070429



PART NUMBER	T1(UNF/UN-2A)	T2(UNF/UN-2A)	T3(UNF/UN-2A)	L1	L3	Y(INCH)	H(INCH)
6803-02-02-02-NWO	5/16-24	5/16-24	5/16-24	19.6	23.9	7/16	7/16
6803-04-04-02-NWO	7/16-20	7/16-20	5/16-24	22.6	23.4	7/16	1/2
6803-04-04-04-NWO	7/16-20	7/16-20	7/16-20	22.6	26.2	7/16	9/16
6803-04-04-06-NWO	7/16-20	7/16-20	9/16-18	26.7	31.8	9/16	11/16
6803-05-05-05-NWO	1/2-20	1/2-20	1/2-20	24.1	28.7	9/16	5/8
6803-06-06-04-NWO	9/16-18	9/16-18	7/16-20	26.9	30.2	9/16	9/16
6803-06-06-06-NWO	9/16-18	9/16-18	9/16-18	26.9	31.8	9/16	11/16
6803-06-06-08-NWO	9/16-18	9/16-18	3/4-16	29.0	36.8	3/4	7/8
6803-08-08-06-NWO	3/4-16	3/4-16	9/16-18	31.8	33.5	3/4	11/16
6803-08-08-08-NWO	3/4-16	3/4-16	3/4-16	31.8	36.8	3/4	7/8
6803-08-08-10-NWO	3/4-16	3/4-16	7/8-14	33.8	43.2	7/8	1
6803-10-10-08-NWO	7/8-14	7/8-14	3/4-16	36.8	39.1	7/8	7/8
6803-10-10-10-NWO	7/8-14	7/8-14	7/8-14	36.8	43.1	7/8	1
6803-10-10-12-NWO	7/8-14	7/8-14	1-1/16-12	36.8	49.3	1-1/16	1-1/4
6803-12-12-10-NWO	1-1/16-12	1-1/16-12	7/8-14	42.2	45.2	1-1/16	1
6803-12-12-12-NWO	1-1/16-12	1-1/16-12	1-1/16-12	42.2	49.3	1-1/16	1-1/4
6803-12-12-16-NWO	1-1/16-12	1-1/16-12	1-5/16-12	44.7	52.1	1-5/16	1-1/2
6803-16-16-12-NWO	1-5/16-12	1-5/16-12	1-1/16-12	46.0	52.1	1-5/16	1-1/4
6803-20-20-20-NWO	1-5/8-12	1-5/8-12	1-5/8-12	52.3	57.2	1-5/8	1-7/8
6803-24-24-24-NWO	1-7/8-12	1-7/8-12	1-7/8-12	59.2	60.7	1-7/8	2-1/8
6803-32-32-32-NWO	2-1/2-12	2-1/2-12	2-1/2-12	77.7	73.4	2-1/2	2-3/4

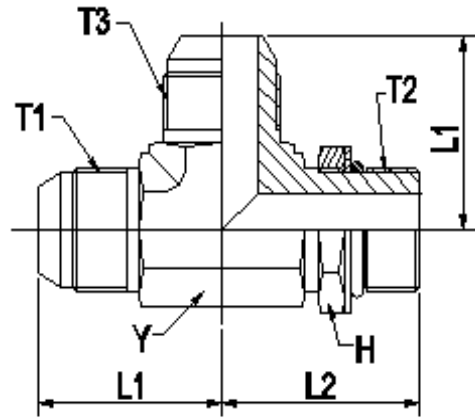
the process quality of sannke parts are assured by **KEYENCE** and **Mitutoyo** 's inspection machine .

Sannke[®]



Fittings & Adapters

6804 SERIES
 (1)&(3) 37° MALE TUBE
 (2) ADJUSTABLE O-RING
 SAE# 070428



PART NUMBER	T1(UNF/UN-2A)	T2(UNF/UN-2A)	T3(UNF/UN-2A)	L1	L2	Y(INCH)	H(INCH)
6804-02-02-02-NWO	5/16-24	5/16-24	5/16-24	19.6	23.9	7/16	7/16
6804-04-04-04-NWO	7/16-20	7/16-20	7/16-20	22.6	26.2	7/16	9/16
6804-04-06-04-NWO	7/16-20	9/16-18	7/16-20	24.8	31.8	9/16	11/16
6804-05-05-05-NWO	1/2-20	1/2-20	1/2-20	24.1	28.7	9/16	5/8
6804-06-04-06-NWO	9/16-18	7/16-20	9/16-18	26.9	30.2	9/16	9/16
6804-06-06-06-NWO	9/16-18	9/16-18	9/16-18	26.9	31.8	9/16	11/16
6804-06-08-06-NWO	9/16-18	3/4-16	9/16-18	29.0	36.8	3/4	7/8
6804-08-06-08-NWO	3/4-16	9/16-18	3/4-16	31.8	33.5	3/4	11/16
6804-08-08-08-NOW	3/4-16	3/4-16	3/4-16	31.8	36.8	3/4	7/8
6804-08-10-08-NOW	3/4-16	7/8-14	3/4-16	33.8	43.2	7/8	1
6804-08-12-08-NOW	3/4-16	1-1/16-12	3/4-16	36.8	49.3	1-1/16	1-1/4
6804-10-10-10-NOW	7/8-14	7/8-14	7/8-14	36.8	43.2	7/8	1
6804-10-12-10-NOW	7/8-14	1-1/16-12	7/8-14	39.1	49.3	1-1/16	1-1/4
6804-12-10-12-NOW	1-1/16-12	7/8-14	1-1/16-12	42.2	45.2	1-1/16	1
6804-12-12-12-NOW	1-1/16-12	1-1/16-12	1-1/16-12	42.2	49.3	1-1/16	1-1/4
6804-14-14-14-NOW	1-3/16-12	1-3/16-12	1-3/16-12	45.7	52.1	1-5/16	1-3/8
6804-16-12-16-NOW	1-5/16-12	1-1/16-12	1-5/16-12	46.0	52.1	1-5/16	1-1/4
6804-16-16-16-NOW	1-5/16-12	1-5/16-12	1-5/16-12	46.0	52.1	1-5/16	1-1/2
6804-20-20-20-NOW	1-5/8-12	1-5/8-12	1-5/8-12	52.3	57.2	1-5/8	1-7/8
6804-24-24-24-NOW	1-7/8-12	1-7/8-12	1-7/8-12	59.2	60.7	1-7/8	2-1/8
6804-32-32-32-NOW	2-1/2-12	2-1/2-12	2-1/2-12	77.7	73.4	2-1/2	2-3/4

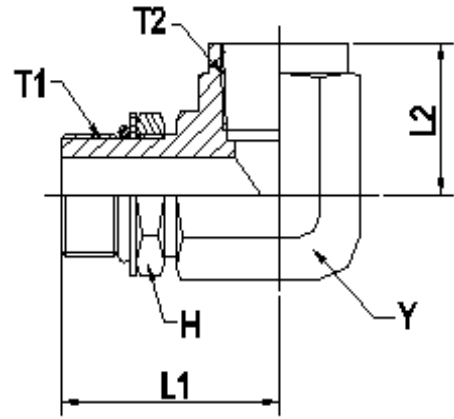
the process quality of sannke parts are assured by **KEYENCE** and **Mitutoyo** 's inspection machine .

Sannke[®]



Fittings & Adapters

6805 SERIES(90° ELBOW)
 (1) ADJUSTABLE O-RING
 (2) FEMALE PIPE
 SAE#



PART NUMBER	T1(UNF/UN-2A)	T2(NPTF)	L1	L2	Y(INCH)	H(INCH)
6805-04-02-NWO	7/16-20	1/8-27	28.7	16.8	9/16	9/16
6805-04-04-NWO	7/16-20	1/4-18	32.0	22.4	3/4	9/16
6805-05-02-NWO	1/2-20	1/8-27	28.7	16.8	9/16	5/8
6805-05-06-NWO	1/2-20	3/8-18	35.8	25.9	7/8	5/8
6805-06-04-NWO	9/16-18	1/4-18	33.5	22.4	3/4	11/16
6805-06-06-NWO	9/16-18	3/8-18	35.8	25.9	7/8	11/16
6805-08-06-NWO	3/4-16	3/8-18	39.1	26.0	7/8	7/8
6805-08-08-NWO	3/4-16	1/2-14	41.1	31.2	1-1/16	7/8
6805-10-06-NWO	7/8-14	3/8-18	43.2	25.9	7/8	1
6805-10-08-NWO	7/8-15	1/2-14	45.2	31.2	1-1/16	1
6805-12-08-NWO	1-1/16-12	1/2-14	49.3	31.2	1-1/16	1-1/4
6805-12-12-NWO	1-1/16-12	3/4-14	52.1	34.5	1-5/16	1-1/4
6805-14-12-NWO	1-3/16-12	3/4-14	52.1	36.1	1-5/16	1-3/8
6805-16-12-NWO	1-5/16-12	3/4-14	52.1	34.5	1-5/16	1-1/2
6805-16-16-NWO	1-5/16-12	1-11-1/2	57.2	41.2	1-5/8	1-1/2
6805-20-20-NWO	1-5/8-12	1-1/4-11-1/2	60.7	43.2	1-7/8	1-7/8
6805-24-24-NWO	1-7/8-12	1-1/2-11-1/2	73.4	52.8	2-9/16	2-1/8
6805-32-32-NWO	2-1/2-12	2-11-1/2	77.8	60.7	2-13/16	2-3/4

the process quality of sannke parts are assured by **KEYENCE** and **Mitutoyo** 's inspection machine .

Sannke[®]



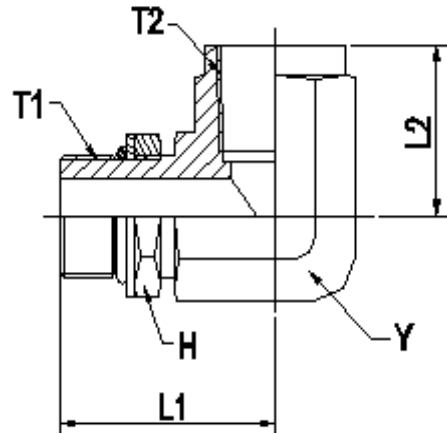
Fittings & Adapters

6805-L & 6805-LL SERIES (90° ELBOW)

(1) ADJUSTABLE O-RING

(2) FEMALE PIPE

SAE#



PART NUMBER	T1(UNF/UN-2A)	T2(NPTF)	L1	L2	Y(INCH)	H(INCH)
6805-L-08-08-NWO	3/4-16	1/2-14	89.7	31.2	1-1/16	7/8
6805-L-10-08-NWO	7/8-14	1/2-14	89.7	31.2	1-1/16	1
6805-L-12-12-NWO	1-1/16-12	3/4-14	102.9	34.5	1-5/16	1-1/4
6805-L-16-16-NWO	1-5/16-12	1-11-1/2	117.4	41.2	1-5/8	1-1/2
6805-LL-08-06-NWO	3/4-16	3/8-18	74.7	25.9	7/8	7/8
6805-LL-10-08-NWO	7/8-14	1/2-14	90.4	31.2	1-1/16	1
6805-LL-12-12-NWO	1-1/16-12	3/4-14	104.9	34.5	1-5/16	1-1/4
6805-LL-16-16-NWO	1-5/16-12	1-11-1/2	117.6	41.1	1-5/8	1-1/2

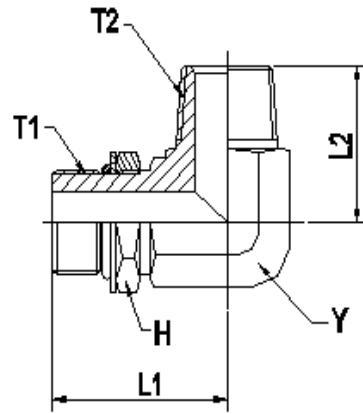
the process quality of sannke parts are assured by **KEYENCE** and **Mitutoyo**'s inspection machine .

Sannke[®]



Fittings & Adapters

6806 SERIES(90° ELBOW)
 (1) ADJUSTABLE O-RING
 (2) MALE PIPE
 SAE#



PART NUMBER	T1(UNF/UN-2A)	T2(NPTF)	L1	L2	Y(INCH)	H(INCH)
6806-04-02-NOW	7/16-20	1/8-27	26.2	19.8	7/16	9/16
6806-04-04-NOW	7/16-20	1/4-18	30.2	27.7	9/16	9/16
6806-05-02-NOW	1/2-20	1/8-27	28.7	19.8	9/16	5/8
6806-06-04-NOW	9/16-18	1/4-18	31.8	27.7	9/16	11/16
6806-06-06-NOW	9/16-18	3/8-18	33.5	31.0	3/4	11/16
6806-08-06-NOW	3/4-16	3/8-18	36.8	31.0	3/4	7/8
6806-08-08-NOW	3/4-16	1/2-14	39.1	37.3	7/8	7/8
6806-10-08-NOW	7/8-14	1/2-14	43.2	37.3	7/8	1
6806-12-12-NOW	1-1/16-12	3/4-14	49.3	40.4	1-1/16	1-1/4
6806-12-16-NOW	1-1/16-12	1-11-1/2	52.1	50.0	1-5/16	1-1/4
6806-16-12-NOW	1-5/16-12	3/4-14	52.1	42.9	1-5/16	1-1/2
6806-16-16-NOW	1-5/16-12	1-11-1/2	52.1	50.0	1-5/16	1-1/2
6806-20-20-NOW	1-5/8-12	1-1/4-11-1/2	57.2	60.5	1-5/8	1-7/8
6806-20-24-NOW	1-5/8-12	1-1/2-11-1/2	60.7	67.1	1-7/8	1-7/8
6806-24-24-NOW	1-7/8-12	1-1/2-11-1/2	60.7	67.1	2-1/2	2-1/8
6806-32-32-NOW	2-1/2-12	2-11-1/2	73.4	76.2	1-5/8	2-3/4

the process quality of sannke parts are assured by **KEYENCE** and **Mitutoyo** 's inspection machine .

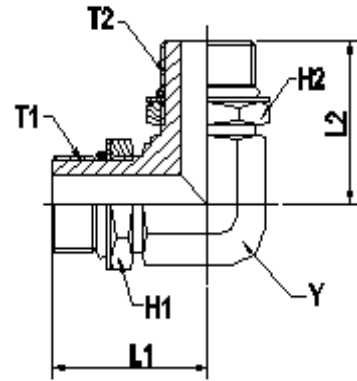
Sannke®



Fittings & Adapters

6807 SERIES (90° ELBOW)
(1)&(2) ADJUSTABLE O-RING

SAE#



PART NUMBER	T1(UNF/UN-2A)	T2(UNF/UN-2A)	L1	L2	Y(INCH)	H1(INCH)	H2(INCH)
6807-04-04-NOW	7/16-20	7/16-20	26.2	26.2	7/16	9/16	9/16
6807-06-06-NOW	9/16-18	9/16-18	31.8	31.8	9/16	11/16	11/16
6807-08-06-NOW	3/4-16	9/16-18	36.8	33.5	3/4	7/8	11/16
6807-08-08-NOW	3/4-16	3/4-16	36.8	36.8	3/4	7/8	7/8
6807-10-08-NOW	7/8-14	3/4-16	43.2	39.1	7/8	1	7/8
6807-10-10-NOW	7/8-14	7/8-14	43.2	43.2	7/8	1	1
6807-12-12-NOW	1-1/16-12	1-1/16-12	49.3	49.3	1-1/16	1-1/4	1-1/4
6807-16-16-NOW	1-5/16-12	1-5/16-12	52.1	52.1	1-5/16	1-1/2	1-1/2
6807-20-20-NOW	1-5/8-12	1-5/8-12	57.2	57.2	1-5/8	1-7/8	1-7/8
6807-24-24-NOW	1-7/8-12	1-7/8-12	60.7	60.7	1-7/8	2-1/8	2-1/8

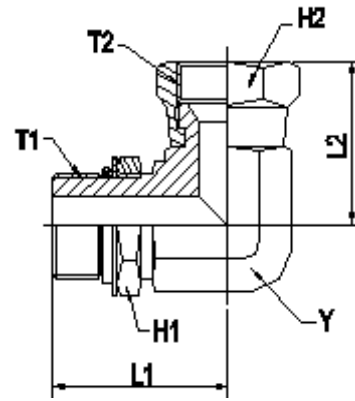
the process quality of sannke parts are assured by **KEYENCE** and **Mitutoyo** 's inspection machine .

Sannke®



Fittings & Adapters

6809 SERIES(90° ELBOW)
 (1) ADJUSTABLE O-RING
 (2) 37° FEMALE SWIVEL
 SAE#



PART NUMBER	T1(UNF/UN-2A)	T2(UNF/UN-2B)	L1	L2	Y(INCH)	H1(INCH)	H2(INCH)
6809-04-02-NOW	7/16-20	5/16-24	26.2	24.6	7/16	9/16	7/16
6809-04-04-NOW	7/16-20	7/16-20	26.2	25.4	7/16	9/16	9/16
6809-06-04-NOW	9/16-18	7/16-20	31.8	29.1	9/16	11/16	9/16
6809-06-06-NOW	9/16-18	9/16-18	31.8	31.8	9/16	11/16	11/16
6809-08-06-NOW	3/4-16	9/16-18	36.8	31.8	3/4	7/8	11/16
6809-08-10-NOW	3/4-16	7/8-14	39.1	41.3	7/8	7/8	1
6809-10-10-NOW	7/8-14	7/8-14	43.2	41.3	7/8	1	1
6809-12-08-NOW	1-1/16-12	3/4-16	49.3	40.1	1-1/16	1-1/4	7/8
6809-12-12-NOW	1-1/16-12	1-1/16-12	49.3	45.1	1-1/16	1-1/4	1-1/4

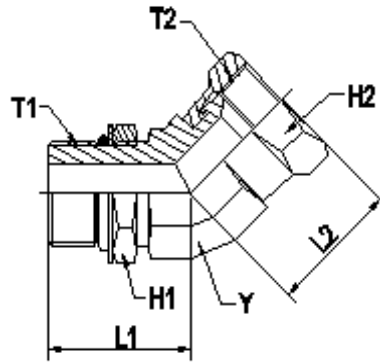
the process quality of sannke parts are assured by **KEYENCE** and **Mitutoyo**'s inspection machine .

Sannke[®]



Fittings & Adapters

6810 SERIES(45° ELBOW)
 (1) ADJUSTABLE O-RING
 (2) 37° FEMALE SWIVEL
 SAE#

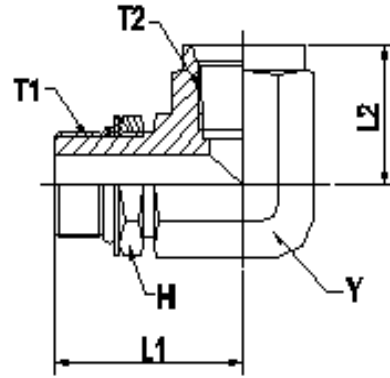


PART NUMBER	T1(UNF/UN-2A)	T2(UNF/UN-2B)	L1	L2	Y(INCH)	H1(INCH)	H2(INCH)
6810-04-04-NOW	7/16-20	7/16-20	26.7	24.0	7/16	9/16	9/16
6810-06-06-NOW	9/16-18	9/16-18	29.0	28.6	9/16	11/16	11/16
6810-08-08-NOW	3/4-16	3/4-16	33.0	32.6	3/4	7/8	7/8
6810-10-10-NOW	7/8-14	7/8-14	38.6	34.7	7/8	1	1
6810-12-12-NOW	1-1/16-12	1-1/16-12	43.9	38.7	1-1/16	1-1/4	1-1/4
6810-16-16-NOW	1-5/16-12	1-5/16-12	47.2	45.0	1-5/16	1-1/2	1-1/2

the process quality of sannke parts are assured by **KEYENCE** and **Mitutoyo**'s inspection machine .

Fittings & Adapters

6815 SERIES(90° ELBOW)
 (1) ADJUSTABLE O-RING
 (2) O-RING FEMALE BOSS
 SAE#



PART NUMBER	T1(UNF/UN-2A)	T2(UNF/UN-2B)	L1	L2	Y(INCH)	H(INCH)
6815-04-04-NWO	7/16-20	7/16-20	32.0	21.1	3/4	9/16
6815-06-06-NWO	9/16-18	9/16-18	35.8	25.9	7/8	11/16
6815-08-08-NWO	3/4-16	3/4-16	42.3	31.2	1-1/16	7/8
6815-10-10-NWO	7/8-14	7/8-14	45.2	31.2	1-1/16	1
6815-16-16-NWO	1-5/16-12	1-5/16-12	57.2	41.2	1-5/8	1-1/2

the process quality of sannke parts are assured by **KEYENCE** and **Mitutoyo** 's inspection machine .

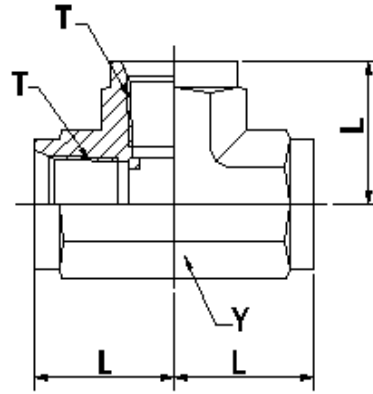
Sannke[®]



Fittings & Adapters

6868 SERIES(TEE)
 (1) (2)&(3) O-RING FEMALE BOSS

SAE#



PART NUMBER	T(UNF/UN-2B)	L	Y (INCH)
6868-04-04-04	7/16-20	18.8	3/4
6868-06-06-06	9/16-18	21.8	7/8
6868-08-08-08	3/4-16	26.2	1-1/16
6868-10-10-10	7/8-14	30.0	1-5/16
6868-12-12-12	1-1/16-12	35.3	1-5/16
6868-16-16-16	1-5/16-12	38.6	1-5/8

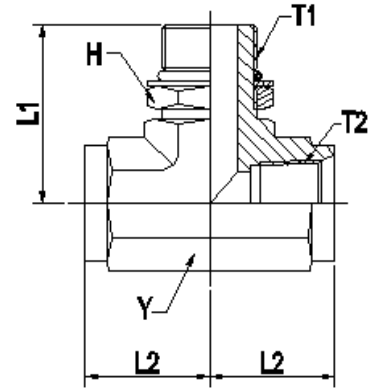
the process quality of sannke parts are assured by **KEYENCE** and **Mitutoyo** 's inspection machine .

Sannke[®]



Fittings & Adapters

6870 SERIES(TEE)
 (1)&(2) O-RING FEMALE BOSS
 (3) ADJUSTABLE O-RING
 SAE#



PART NUMBER	T1(UNF/UN-2A)	T2(UNF/UN-2B)	L1	L2	Y(INCH)	H(INCH)
6870-04-04-04-NOW	7/16-20	7/16-20	16.0	31.2	3/4	9/16
6870-06-06-06-NOW	9/16-18	9/16-18	19.1	35.1	7/8	11/16
6870-08-08-08-NOW	3/4-16	3/4-16	22.4	40.4	1-1/16	7/8
6870-10-10-10-NOW	7/8-14	7/8-14	25.9	46.0	1-1/16	1
6870-12-12-12-NOW	1-1/16-12	1-1/16-12	30.7	51.4	1-5/16	1-1/4
6870-16-16-16-NOW	1-5/16-12	1-5/16-12	33.8	57.4	1-5/8	1-1/2

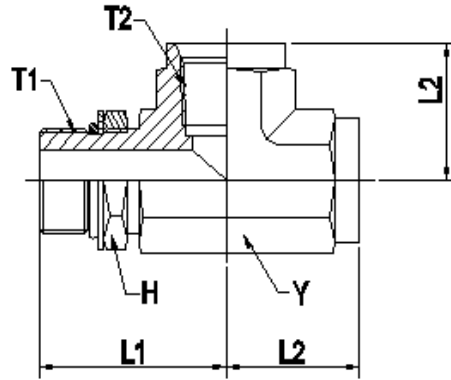
the process quality of sannke parts are assured by **KEYENCE** and **Mitutoyo** 's inspection machine .

Sannke[®]



Fittings & Adapters

6871 SERIES(TEE)
 (1) ADJUSTABLE O-RING
 (2)&(3) O-RING FEMALE BOSS
 SAE#



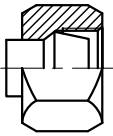
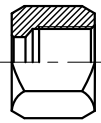
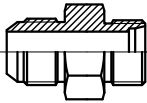
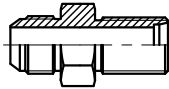
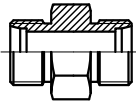
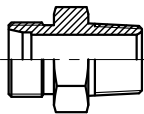
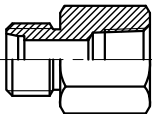
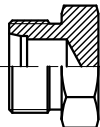
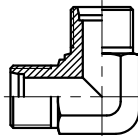
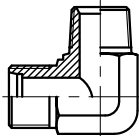
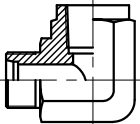
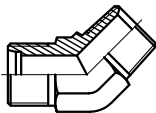
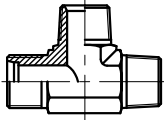
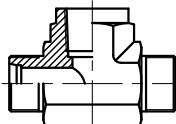
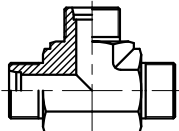
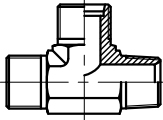
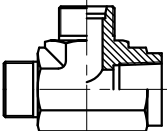
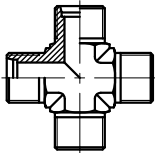
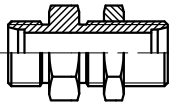
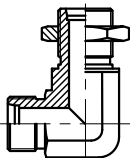
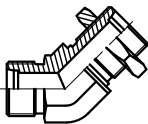
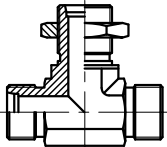
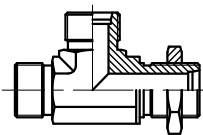
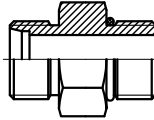
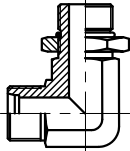
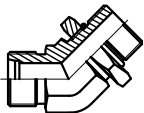
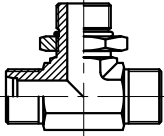
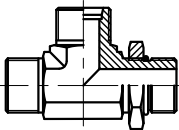
PART NUMBER	T1(UNF/UN-2A)	T1(UNF/UN-2B)	L1	L2	Y(INCH)	H(INCH)
6871-04-04-04-NOW	7/16-20	7/16-20	31.8	18.8	3/4	9/16
6871-06-06-06-NOW	9/16-18	9/16-18	35.1	21.8	7/8	11/16
6871-08-08-08-NOW	3/4-16	3/4-16	40.4	26.2	1-1/16	7/8
6871-10-10-10-NOW	7/8-14	7/8-14	46.0	30.0	1-1/16	1
6871-12-12-12-NOW	1-1/16-12	1-1/16-12	51.4	35.3	1-5/16	1-1/4
6871-16-16-16-NOW	1-5/16-12	1-5/16-12	57.2	38.6	1-5/8	1-1/2

the process quality of sannke parts are assured by **KEYENCE** and **Mitutoyo**'s inspection machine .

Sannke[®]



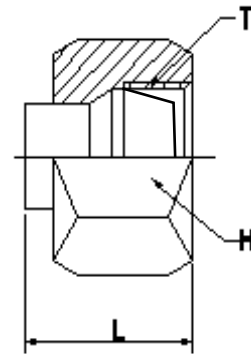
SAE FLARELESS FITTINGS

(080112)  C0304-C CAP NUT P130	(080110)  C0318 P131	(080109)  C2000 (1) FLARELESS MALE (2) 37° MALE TUBE P132	(080120)  C2000-BH (1) FLARELESS MALE (2) 37° MALE TUBE P133	(080101)  C2403 (1) & (2) FLARELESS MALE P134
(080102)  C2404 (1) FLARELESS MALE (2) MALE PIPE P135	(080103)  C2405 (1) FLARELESS MALE (2) MALE PIPE P136	(080109)  C2408 (1) FLARELESS PLUG P137	(080201)  C2500 (1) & (2) FLARELESS MALE P138	(080202)  C2501 (1) FLARELESS MALE (2) MALE PIPE P139
(080202)  C2502 (1) FLARELESS MALE (2) MALE PIPE P140	(080302)  C2503 (1) FLARELESS MALE (2) MALE PIPE P141	(080202)  C2601 (1) & (2) FLARELESS MALE (3) MALE PIPE P142	(080427)  C2602 (1) & (2) FLARELESS MALE (3) MALE PIPE P143	(070401)  C2603 (1) ~ (3) FLARELESS MALE P144
(080424)  C2605 (1) & (3) FLARELESS MALE (2) MALE PIPE P145	(080426)  C2606 (1) & (3) FLARELESS MALE (3) MALE PIPE P146	(080958)  C2650 FLARELESS MALE P147	(080601)  C2700-LN (1) FLARELESS MALE (2) FLARELESS BULKHEAD MALE P148	(080701)  C2701-LN (1) FLARELESS MALE (2) FLARELESS BULKHEAD MALE P149
(080801)  C2702-LN (1) FLARELESS MALE (2) FLARELESS BULKHEAD MALE P150	(080959)  C2703-LN (1) & (2) FLARELESS MALE (3) FLARELESS BULKHEAD MALE P151	(080958)  C2704-LN (1) & (2) FLARELESS MALE (3) FLARELESS BULKHEAD MALE P152	(080120)  C6400 (1) FLARELESS MALE (2) O-RING MALE BOSS P153	(080220)  C6801 (1) FLARELESS MALE (2) ADJUSTABLE O-RING P154
(080320)  C6802 (1) FLARELESS MALE (2) ADJUSTABLE O-RING P155	(080429)  C6803 (1) & (2) FLARELESS MALE (3) ADJUSTABLE O-RING P156	(080428)  C6804 (1) & (2) FLARELESS MALE (3) ADJUSTABLE O-RING P157		

Fittings & Adapters

C0304-C SERIES(CAP ASSEMBLY)
CAP NUT

SAE# 080112



PART NUMBER	T(UNF/UN-2B)	L	H (INCH)
C0304-C-04	7/16-20	21.5	9/16
C0304-C-05	1/2-20	22.1	5/8
C0304-C-06	9/16-18	22.7	11/16
C0304-C-08	3/4-16	25.7	7/8
C0304-C-10	7/8-14	28.4	1
C0304-C-12	1-1/16-12	30.4	1-1/4
C0304-C-16	1-5/16-12	32.6	1-1/2
C0304-C-20	1-5/8-12	32.0	2

the process quality of sannke parts are assured by **KEYENCE** and **Mitutoyo** 's inspection machine .

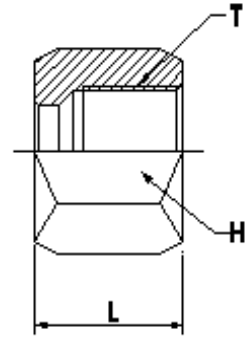
Sannke[®]



Fittings & Adapters

C0318 SERIES(NUT)

SAE# 080110



PART NUMBER	T(UNF/UN-2B)	L	H (INCH)
C0318-C-02	5/16-24	13.5	3/8
C0318-C-03	3/8-24	15.5	7/16
C0318-C-04	7/16-20	17.8	9/16
C0318-C-05	1/2-20	18.3	5/8
C0318-C-06	9/16-18	19.1	11/16
C0318-C-08	3/4--16	21.3	7/8
C0318-C-10	7/8-14	23.4	1
C0318-C-12	1-1/16-12	24.6	1-1/4
C0318-C-14	1-3/16-12	25.4	1-3/8
C0318-C-16	1-5/16-12	26.7	1-1/2
C0318-C-20	1-5/8-12	26.7	2
C0318-C-24	1-7/8-12	26.2	2-1/4
C0318-C-32	2-1/2-16	28.5	2-7/8

the process quality of sannke parts are assured by **KEYENCE** and **Mitutoyo** 's inspection machine .

Sannke[®]



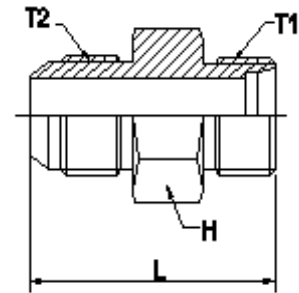
Fittings & Adapters

C2000 SERIES(STRAIGHT UNION)

(1) FLARELESS MALE

(2) 37° MALE TUBE

SAE#



PART NUMBER	T1 (UNF/UN-2A)	T2 (UNF/UN-2A)	L	H (INCH)
C2000-04-04	7/16-20	7/16-20	33.5	1/2
C2000-06-06	9/16-18	9/16-18	34.9	5/8
C2000-08-08	3/4-16	3/4-16	40.7	13/16
C2000-10-10	7/8-14	7/8-14	46.5	15/16
C2000-12-12	1-1/16-12	1-1/16-12	50.3	1-1/8
C2000-16-16	1-5/16-12	1-5/16-12	54.2	1-3/8
C2000-20-20	1-5/8-12	1-7/8-12	57.5	1-11/16
C2000-24-24	1-7/8-12	1-7/8-12	62.4	2

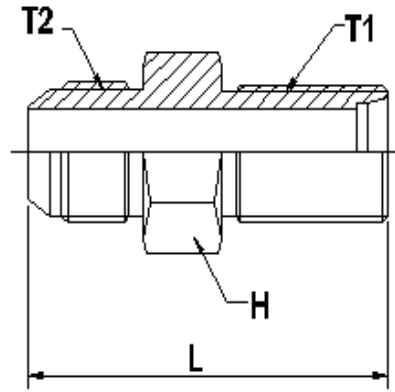
the process quality of sannke parts are assured by **KEYENCE** and **Mitutoyo**'s inspection machine .

Sannke[®]



Fittings & Adapters

C2000 -BH SERIES(BIG HEX)
 (1) FLARELESS MALE
 (2) 37°MALE TUBE
 SAE#



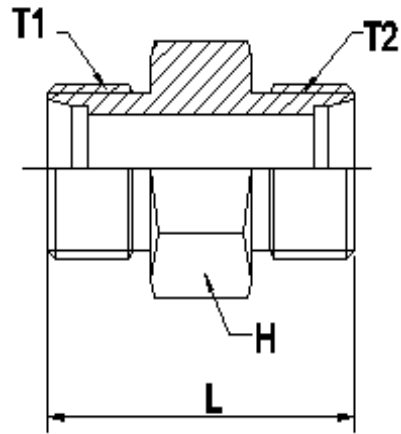
PART NUMBER	T1 (UNF-2A)	T2 (UNF-2A)	L	H (INCH)
C2000-BH-04-04	7/16-20	7/16-20	50.3	11/16
C2000-BH-06-06	9/16-18	9/16-18	52.5	13/16
C2000-BH-08-08	3/4-16	3/4-16	58.6	1
C2000-BH-10-10	7/8-14	7/8-14	65.9	1-1/8
C2000-BH-12-12	1-1/16-12	1-1/16-12	72.7	1-3/8
C2000-BH-16-16	1-5/16-12	1-5/16-12	73.9	1-5/8

the process quality of sannke parts are assured by **KEYENCE** and **Mitutoyo**'s inspection machine .

Fittings & Adapters

C2403 SERIES
(1)& (2) FLARELESS MALE

SAE# 080101



PART NUMBER	T1 (UNF/UN-2A)	T2 (UNF/UN-2A)	L	H (INCH)
C2403-02-02	5/16-24	5/16-24	25.9	7/16
C2403-03-03	3/8-24	3/8-24	28.2	7/16
C2403-04-04	7/16-20	7/16-20	30.0	1/2
C2403-05-05	1/2-20	1/2-20	30.0	9/16
C2403-06-04	9/16-18	7/16-20	31.1	5/8
C2403-06-06	9/16-18	9/16-18	31.5	5/8
C2403-08-06	3/4-16	9/16-18	36.1	13/16
C2403-08-08	3/4-16	3/4-16	36.1	13/16
C2403-10-10	7/8-14	7/8-14	40.9	15/16
C2403-12-12	1-1/16-12	1-1/16-12	46.0	1-1/8
C2403-16-16	1-5/16-12	1-5/16-12	46.0	1-3/8
C2403-20-20	1-5/8-12	1-5/8-12	48.0	1-11/16
C2403-24-24	1-7/8-12	1-7/8-12	49.8	2
C2403-32-32	2-1/2-12	2-1/2-12	53.6	2-5/8

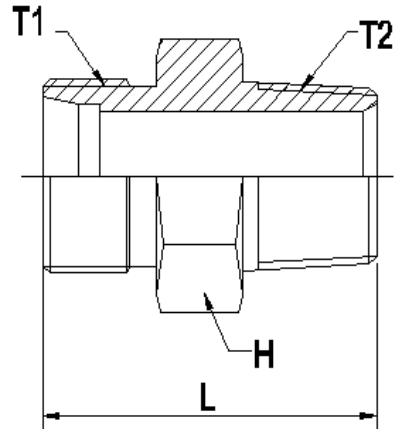
the process quality of sannke parts are assured by **KEYENCE** and **Mitutoyo**'s inspection machine .

Sannke[®]



Fittings & Adapters

C2404 SERIES
 (1) FLARELESS MALE
 (2) MALE PIPE
 SAE# 080102



PART NUMBER	T1 (UNF/UN-2A)	T2 (NPTF)	L	H (INCH)
C2404-02-02	5/16-24	1/8-27	26.4	7/16
C2404-02-04	5/16-24	1/4-18	31.5	5/8
C2404-03-02	3/8-24	1/8-27	27.7	7/16
C2404-04-04	7/16-20	1/4-18	33.5	5/8
C2404-04-06	7/16-20	3/8-18	33.8	13/16
C2404-04-08	7/16-20	1/2-14	40.1	7/8
C2404-05-02	1/2-20	1/8-27	28.5	9/16
C2404-05-04	1/2-20	1/4-18	33.5	9/16
C2404-06-02	9/16-18	1/8-27	29.2	5/8
C2404-06-04	9/16-18	1/4-18	34.0	5/8
C2404-06-06	9/16-18	3/8-18	33.5	13/16
C2404-06-08	9/16-18	1/2-14	42.1	15/16
C2404-08-04	3/4-16	1/4-18	36.1	13/16
C2404-08-06	3/4-16	3/8-18	36.6	13/16
C2404-08-08	3/4-16	1/2-14	42.9	15/16
C2404-08-12	3/4-16	3/4-14	44.7	1-1/8
C2404-10-06	7/8-14	3/8-18	39.6	15/16
C2404-10-08	7/8-14	1/2-14	44.5	15/16
C2404-10-12	7/8-14	3/4-14	46.2	1-1/8
C2404-12-08	1-1/16-12	1/2-14	47.8	1-1/8
C2404-12-12	1-1/16-12	3/4-14	47.8	1-1/8
C2404-14-12	1-3/16-12	3/4-14	47.8	1-1/4
C2404-16-12	1-5/16-12	3/4-14	47.8	1-3/8
C2404-16-16	1-5/16-12	1-11-1/2	52.6	1-3/8
C2404-20-20	1-5/8-12	1-1/4-11-1/2	55.4	1-11/16
C2404-24-24	1-7/8-12	1-1/2-11-1/2	57.9	2
C2404-32-32	2-1/2-12	2-11-1/2	62.5	2-5/8

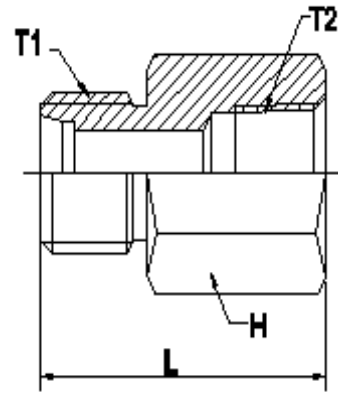
the process quality of sannke parts are assured by **KEYENCE** and **Mitutoyo**'s inspection machine.

Sannke[®]



Fittings & Adapters

C2405 SERIES
 (1) FLARELESS MALE
 (2) FEMALE PIPE
 SAE# 080103



PART NUMBER	T1 (UNF/UN-2A)	T2 (NPTF)	L	H (INCH)
C2405-02-02	5/16-24	1/8-27	26.7	9/16
C2405-03-02	3/8-24	1/8-27	27.4	9/16
C2405-04-02	7/16-20	1/8-27	27.7	9/16
C2405-04-04	7/16-20	1/4-18	32.8	3/4
C2405-05-02	1/2-20	1/8-27	27.4	9/16
C2405-06-04	9/16-18	1/4-18	33.3	3/4
C2405-06-06	9/16-18	3/8-18	35.1	7/8
C2405-06-08	9/16-18	1/2-14	40.9	1-1/8
C2405-08-04	3/4-16	1/4-18	37.1	13/16
C2405-08-06	3/4-16	3/8-18	37.3	7/8
C2405-08-08	3/4-16	1/2-14	43.1	1-1/8
C2405-10-08	7/8-14	1/2-14	44.7	1-1/8
C2405-12-12	1-1/16-12	3/4-14	48.0	1-3/8
C2405-14-12	1-3/16-12	3/4-14	47.2	1-3/8
C2405-16-16	1-5/16-12	1-11-1/2	54.1	1-5/8
C2405-20-20	1-5/8-12	1-1/4-11-1/2	56.4	2

the process quality of sannke parts are assured by **KEYENCE** and **Mitutoyo** 's inspection machine .

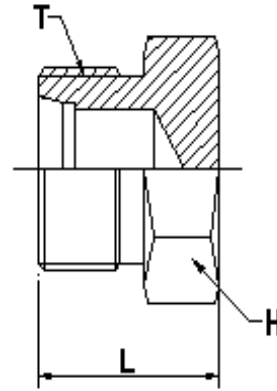
Sannke[®]



Fittings & Adapters

C2408 SERIES
FLARELESS PLUG

SAE# 080109



PART NUMBER	T(UNF/UN-2A)	L	H (INCH)
C2408-02	5/16-24	16.0	7/16
C2408-03	3/8-24	17.3	7/16
C2408-04	7/16-20	18.0	1/2
C2408-05	1/2-20	18.0	9/16
C2408-06	9/16-18	19.1	5/8
C2408-08	3/4-16	21.6	13/16
C2408-10	7/8-14	24.6	15/16
C2408-12	1-1/16-12	27.9	1-1/8
C2408-14	1-3/16-12	27.9	1-1/4
C2408-16	1-5/16-12	27.9	1-3/8
C2408-20	1-5/8-12	29.9	1-11/16
C2408-24	1-7/8-12	31.8	2
C2408-32	2-1/2-12	35.6	2-5/8

the process quality of sannke parts are assured by **KEYENCE** and **Mitutoyo** 's inspection machine .

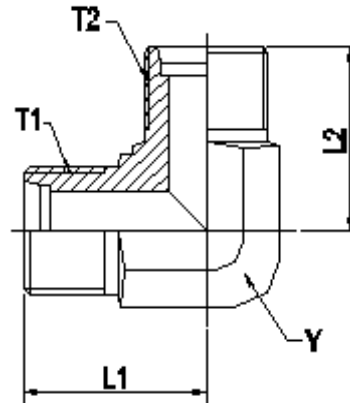
Sannke[®]



Fittings & Adapters

C2500 SERIES (90° ELBOW)
(1) & (2) FLARELESS MALE

SAE# 080201



PART NUMBER	T1(UNF/UN-2A)	T2(UNF/UN-2A)	L1	L2	Y(INCH)
C2500-04-04	7/16-20	7/16-20	22.6	22.6	7/16
C2500-05-05	1/2-20	1/2-20	24.1	24.1	9/16
C2500-06-06	9/16-18	9/16-18	26.7	26.7	9/16
C2500-08-08	3/4-16	3/4-16	31.8	31.8	3/4
C2500-10-10	7/8-14	7/8-14	36.1	36.1	7/8
C2500-12-12	1-1/16-12	1-1/16-12	40.1	40.1	1-1/16
C2500-14-14	1-3/16-12	1-3/16-12	42.2	42.2	1-5/16
C2500-16-16	1-5/16-12	1-5/16-12	43.9	43.9	1-5/16
C2500-20-20	1-5/8-12	1-5/8-12	48.0	48.0	1-5/8
C2500-24-24	1-7/8-12	1-7/8-12	51.3	51.3	1-7/8

the process quality of sannke parts are assured by **KEYENCE** and **Mitutoyo** 's inspection machine .

Sannke[®]



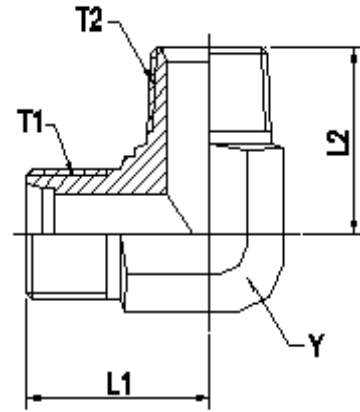
Fittings & Adapters

C2501 SERIES (90° ELBOW)

(1) FLARELESS MALE

(2) MALE PIPE

SAE# 080202



PART NUMBER	T1(UNF/UN-2A)	T2(NPTF)	L1	L2	Y(INCH)
C2501-02-02	5/16-24	1/8-27	19.6	18.3	7/16
C2501-03-02	3/8-24	1/8-27	21.1	18.3	7/16
C2501-04-02	7/16-20	1/8-27	22.6	19.8	7/16
C2501-04-04	7/16-20	1/4-18	26.2	27.7	9/16
C2501-04-06	7/16-20	3/8-18	29.0	31.0	3/4
C2501-05-02	1/2-20	1/8-27	24.1	20.6	9/16
C2501-05-04	1/2-20	1/4-18	26.2	27.7	9/16
C2501-06-02	9/16-18	1/8-27	26.7	22.9	9/16
C2501-06-04	9/16-18	1/4-18	26.7	27.7	9/16
C2501-06-06	9/16-18	3/8-18	29.0	31.0	3/4
C2501-06-08	9/16-18	1/2-14	31.5	37.3	7/8
C2501-08-04	3/4-16	1/4-18	31.8	26.2	3/4
C2501-08-06	3/4-16	3/8-18	31.8	31.0	3/4
C2501-08-08	3/4-16	1/2-14	34.3	37.3	7/8
C2501-10-06	7/8-14	3/8-18	36.1	32.5	7/8
C2501-10-08	7/8-14	1/2-14	36.1	37.3	7/8
C2501-10-12	7/8-14	3/4-14	38.1	40.4	1-1/16
C2501-12-08	1-1/16-12	1/2-14	40.1	40.4	1-1/16
C2501-12-12	1-1/16-12	3/4-14	40.1	40.4	1-1/16
C2501-14-12	1-3/16-12	3/4-14	42.2	42.9	1-5/16
C2501-16-12	1-5/16-12	3/4-14	43.9	45.2	1-5/16
C2501-16-16	1-5/16-12	1-11-1/2	43.9	50.0	1-5/16
C2501-20-20	1-5/8-12	1-1/4-11-1/2	48.0	60.5	1-5/8
C2501-24-24	1-7/8-12	1-1/2-11-1/2	51.3	67.1	1-7/8
C2501-32-32	2-1/2-12	2-11-1/2	62.2	76.2	2-1/2

the process quality of sannke parts are assured by **KEYENCE** and **Mitutoyo**'s inspection machine .

Sannke[®]

TÜVRheinland[®]
ISO9001:2015

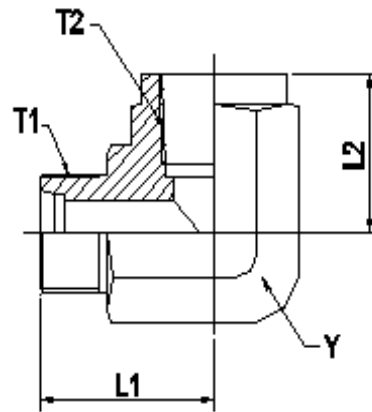
Fittings & Adapters

C2502 SERIES (90° ELBOW)

(1) FLARELESS MALE

(2) FEMALE PIPE

SAE#



PART NUMBER	T1(UNF/UN-2A)	T2(NPTF)	L1	L2	Y(INCH)
C2502-04-02	7/16	1/8-27	22.6	16.8	9/16
C2502-04-04	7/16	1/4-18	26.1	22.4	3/4
C2502-05-02	1/2-20	1/8-27	24.1	16.8	9/16
C2502-06-04	9/16-18	1/4-18	26.7	22.4	3/4
C2502-06-06	9/16-18	3/8-18	28.5	25.9	7/8
C2502-08-04	3/4-16	1/4-18	31.2	25.7	3/4
C2502-08-06	3/4-16	3/8-18	31.2	25.9	7/8
C2502-08-08	3/4-16	1/2-14	34.3	31.2	1-1/16
C2502-10-08	7/8-14	1/2-14	36.1	31.2	1-1/16
C2502-12-12	1-1/16-12	3/4-14	40.1	34.5	1-5/16
C2502-16-16	1-5/16-12	1-11-1/2	43.9	41.2	1-5/8
C2502-20-20	1-5/8-12	1-1/4-11-1/2	52.8	43.2	1-7/8
C2502-24-24	1-7/8-12	1-1/2-11-1/2	65.5	52.8	2-9/16

the process quality of sannke parts are assured by **KEYENCE** and **Mitutoyo**'s inspection machine .

Sannke[®]



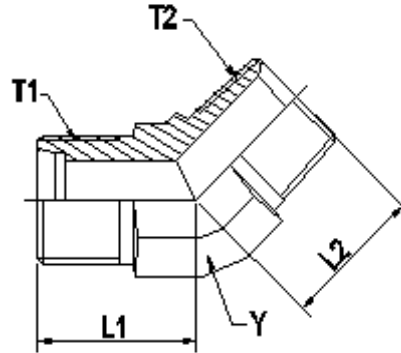
Fittings & Adapters

C2503 SERIES (45° ELBOW)

(1) FLARELESS MALE

(2) MALE PIPE

SAE# 080302



PART NUMBER	T1(UNF/UN-2A)	T2(NPTF)	L1	L2	Y(INCH)
C2503-04-02	7/16-20	1/8-27	17.8	16.3	7/16
C2503-04-04	7/16-20	1/4-18	20.6	21.8	9/16
C2503-05-02	1/2-20	1/8-27	19.1	16.4	9/16
C2503-06-04	9/16-18	1/4-18	21.1	21.8	9/16
C2503-08-06	3/4-16	3/8-18	24.9	24.1	3/4
C2503-10-08	7/8-14	1/2-14	27.4	29.7	7/8
C2503-12-12	1-1/16-12	3/4-14	32.3	30.5	1-1/16
C2503-14-12	1-3/16-12	3/4-14	34.0	33.0	1-5/16
C2503-16-16	1-5/16-12	1-11-1/2	34.5	37.9	1-5/16
C2503-20-20	1-5/8-12	1-1/4-11-1/2	36.8	42.4	1-5/8

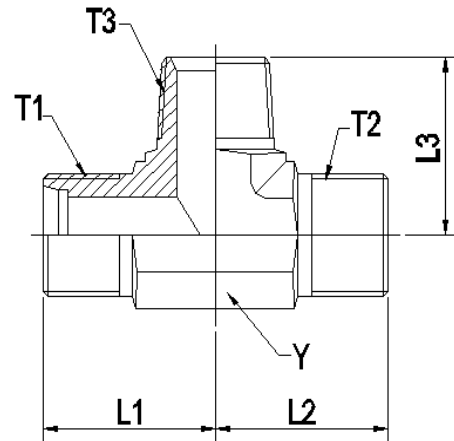
the process quality of sannke parts are assured by **KEYENCE** and **Mitutoyo** 's inspection machine .

Sannke[®]



Fittings & Adapters

C2601 SERIES (TEE)
 (1) & (2) FLARELESS MALE
 (3) MALE PIPE
 SAE# 080425



PART NUMBER	T1,T2(UNF/UN-2A)	T3(NPTF)	L1(L2)	L3	Y(INCH)
C2601-04-04-02	7/16-20	1/8-27	22.6	19.8	7/16
C2601-04-04-04	7/16-20	1/4-18	26.2	27.7	9/16
C2601-06-06-04	9/16-18	1/4-18	26.7	27.7	9/16
C2601-08-08-06	3/4-16	3/8-18	31.8	31.0	3/4
C2601-08-08-08	3/4-16	1/2-14	34.3	37.3	7/8
C2601-10-10-08	7/8-14	1/2-14	36.1	37.3	7/8
C2601-12-12-12	1-1/16-12	3/4-14	40.1	40.4	1-1/16
C2601-16-16-16	1-5/16-12	1-11-1/2	43.9	50.0	1-5/16

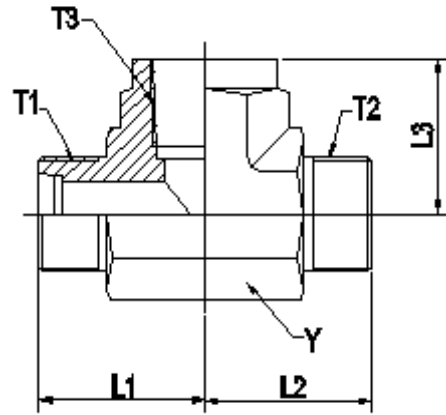
the process quality of sannke parts are assured by **KEYENCE** and **Mitutoyo** 's inspection machine .

Sannke[®]



Fittings & Adapters

C2602 SERIES (TEE)
 (1) & (2) FLARELESS MALE
 (3) FEMALE PIPE
 SAE# 080427



PART NUMBER	T1,T2(UNF/UN-2A)	T3(NPTF)	L1(L2)	L3	Y(INCH)
C2602-04-04-02	7/16-20	1/8-27	22.6	16.8	9/16
C2602-04-04-04	7/16-20	1/4-18	26.2	22.4	3/4
C2602-06-06-04	9/16-18	1/4-18	26.7	22.4	3/4
C2602-06-06-06	9/16-18	3/8-18	28.5	25.9	7/8
C2602-08-08-06	3/4-16	3/8-18	31.2	25.9	7/8
C2602-08-08-08	3/4-16	1/2-14	34.3	31.2	1-1/16
C2602-10-10-08	7/8-14	1/2-14	36.1	31.2	1-1/16
C2602-12-12-12	1-1/16-12	3/4-14	40.1	34.5	1-5/16
C2602-16-16-16	1-5/16-12	1-11-1/2	43.9	41.2	1-5/8
C2602-20-20-20	1-5/8-12	1-1/4-11-1/2	52.8	43.2	1-7/8

the process quality of sannke parts are assured by **KEYENCE** and **Mitutoyo** 's inspection machine .

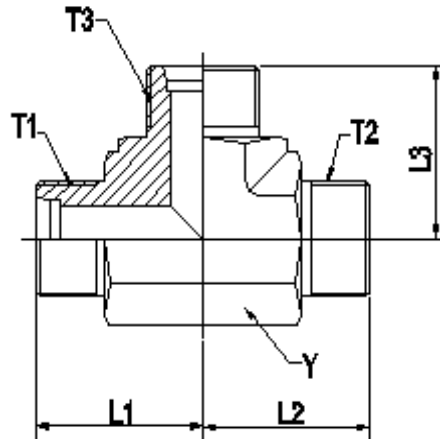
Sannke[®]



Fittings & Adapters

C2603 SERIES (TEE)
(1), (2)&(3) FLARELESS MALE

SAE# 080401



PART NUMBER	T1(UNF/UN-2A)	T2(UNF/UN-2A)	T3(UNF/UN-2A)	L1	L2	L3	H(INCH)
C2603-03-03-03	3/8-24	3/8-24	3/8-24	21.2	21.2	21.2	7/16
C2603-04-04-04	7/16-20	7/16-20	7/16-20	22.6	22.6	22.6	7/16
C2603-05-05-05	1/2-20	1/2-20	1/2-20	24.1	24.1	24.1	9/16
C2603-06-06-06	9/16-18	9/16-18	9/16-18	26.7	26.7	26.7	9/16
C2603-08-08-06	3/4-16	3/4-16	9/16-18	31.8	31.8	29.0	3/4
C2603-08-08-08	3/4-16	3/4-16	3/4-16	31.8	31.8	31.8	3/4
C2603-10-10-10	7/8-14	7/8-14	7/8-14	36.1	36.1	36.1	7/8
C2603-12-12-12	1-1/16-12	1-1/16-12	1-1/16-12	40.1	40.1	40.1	1-1/16
C2603-16-16-16	1-5/16-12	1-5/16-12	1-5/16-12	43.9	43.9	43.9	1-5/16
C2603-20-20-20	1-5/8-12	1-5/8-12	1-5/8-12	48.0	48.0	48.0	1-5/8
C2603-24-24-24	1-7/8-12	1-7/8-12	1-7/8-12	51.3	51.3	51.3	1-7/8

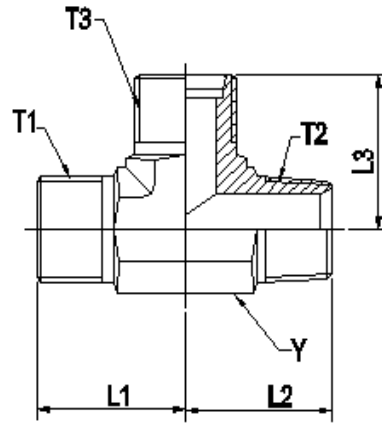
the process quality of sannke parts are assured by **KEYENCE** and **Mitutoyo**'s inspection machine.

Sannke®



Fittings & Adapters

C2605 SERIES (TEE)
 (1) & (3) FLARELESS MALE
 (2) MALE PIPE
 SAE# 080424



PART NUMBER	T1,T3(UNF/UN-2A)	T2(NPTF)	L1(L3)	L2	Y(INCH)
C2605-04-02-04	7/16-20	1/8-27	22.6	19.8	7/16
C2605-04-04-04	7/16-20	1/4-18	26.2	27.7	9/16
C2605-06-04-06	9/16-18	1/4-18	26.7	27.7	9/16
C2605-08-06-08	3/4-16	3/8-18	31.8	31.0	3/4
C2605-08-08-08	3/4-16	1/2-14	34.3	37.3	7/8
C2605-10-08-10	7/8-14	1/2-14	36.1	37.3	7/8
C2605-12-12-12	1-1/16-12	3/4-14	40.1	40.4	1-1/16
C2605-16-16-16	1-5/16-12	1-11-1/2	43.9	50.0	1-5/16

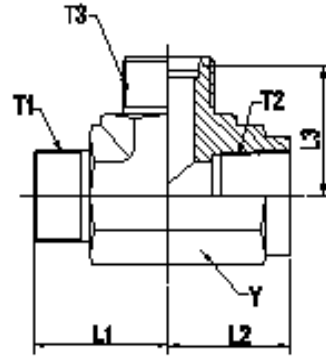
the process quality of sannke parts are assured by **KEYENCE** and **Mitutoyo** 's inspection machine .

Sannke[®]



Fittings & Adapters

C2606 SERIES (TEE)
 (1) & (3) FLARELESS MALE
 (2) FEMALE PIPE
 SAE# 080426



PART NUMBER	T1,T3(UNF/UN-2A)	T2(NPTF)	L1(L3)	L2	Y(INCH)
C2606-04-02-04	7/16-20	1/8-27	22.6	16.8	9/16
C2606-04-04-04	7/16-20	1/4-18	26.2	22.4	3/4
C2606-06-04-06	9/16-18	1/4-18	26.7	22.4	3/4
C2606-08-06-08	3/4-16	3/8-18	31.2	25.9	7/8
C2606-08-08-08	3/4-16	1/2-14	34.3	31.2	1-1/16
C2606-10-08-10	7/8-14	1/2-14	36.1	31.2	1-1/16
C2606-12-12-12	1-1/16-12	3/4-14	40.1	34.5	1-5/16

the process quality of sannke parts are assured by **KEYENCE** and **Mitutoyo**'s inspection machine .

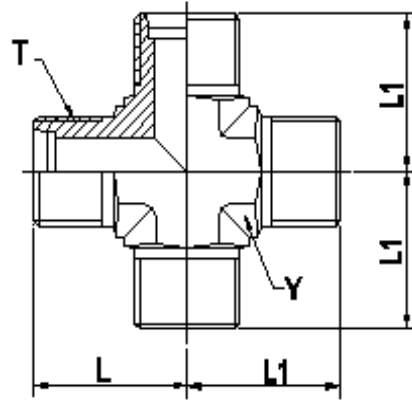
Sannke®



Fittings & Adapters

C2650 SERIES (ACROSS)
FLARELESS MALE

SAE#



PART NUMBER	T(UNF/UN-2A)	L	L1	Y	Y(INCH)
C2650-04-04-04-04	7/16-20	22.6	22.6	11.1	7/16
C2650-06-06-06-06	9/16-18	26.7	26.7	14.3	9/16
C2650-08-08-08-08	3/4-16	31.8	31.8	19.1	3/4
C2650-10-10-10-10	7/8-14	36.1	36.1	22.2	7/8
C2650-12-12-12-12	1-1/16-12	40.1	40.1	27.0	1-1/16

the process quality of sannke parts are assured by **KEYENCE** and **Mitutoyo** 's inspection machine .

Sannke[®]



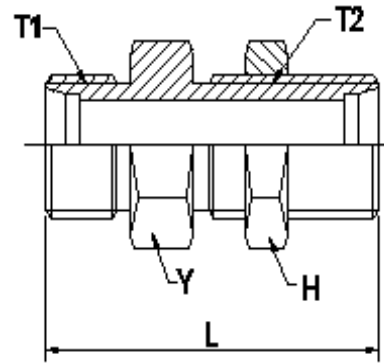
Fittings & Adapters

C2700-LN SERIES (BULKHEAD UNION

(1) FLARELESS MALE

(2) FLARELESS BULKHEAD MALE

SAE# 080601



PART NUMBER	T1(UNF/UN-2A)	T2(UNF/UN-2A)	L	Y(INCH)	H(INCH)
C2700-LN-04-04	7/16-20	7/16-20	48.0	11/16	11/16
C2700-LN-06-06	9/16-18	9/16-18	50.3	13/16	13/16
C2700-LN-08-08	3/4-16	3/4-16	56.4	1	1
C2700-LN-10-10	7/8-14	7/8-14	63.0	1-1/8	1-1/8
C2700-LN-12-12	1-1/16-12	1-1/16-12	69.1	1-3/8	1-3/8
C2700-LN-16-16	1-5/16-12	1-5/16-12	69.1	1-5/8	1-5/8

the process quality of sannke parts are assured by **KEYENCE** and **Mitutoyo**'s inspection machine .

Sannke[®]



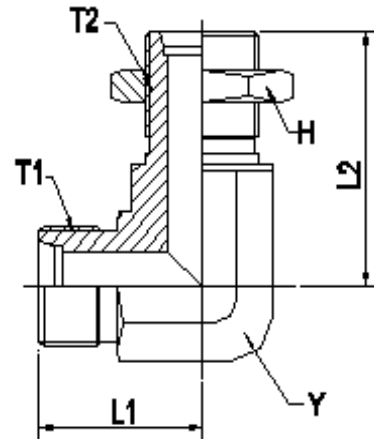
Fittings & Adapters

C2701-LN SERIES(90° ELBOW)

(1) FLARELESS MALE

(2) FLARELESS BULKHEAD MALE

SAE# 080701



PART NUMBER	T1(UNF/UN-2A)	T2(UNF/UN-2A)	L1	L2	Y(INCH)	H(INCH)
C2701-LN-02-02	5/16-24	5/16-24	20.3	34.5	7/16	9/16
C2701-LN-03-03	3/8-24	3/8-24	23.9	36.6	7/16	5/8
C2701-LN-04-04	7/16-20	7/16-20	24.1	38.6	7/16	11/16
C2701-LN-05-05	1/2-20	1/2-20	26.7	42.2	9/16	3/4
C2701-LN-06-06	9/16-18	9/16-18	27.4	43.2	9/16	13/16
C2701-LN-08-08	3/4-16	3/4-16	33.8	50	3/4	1
C2701-LN-10-10	7/8-14	7/8-14	38.6	57.7	7/8	1-1/8
C2701-LN-12-12	1-1/16-12	1-1/16-12	41.7	63	1-1/16	1-3/8
C2701-LN-14-14	1-3/16-12	1-3/16-12	43.2	64.8	1-5/16	1-1/2
C2701-LN-16-16	1-5/16-12	1-5/16-12	43.9	66.3	1-5/16	1-5/8
C2701-LN-20-20	1-5/8-12	1-5/8-12	51.3	73.4	1-5/8	1-7/8
C2701-LN-24-24	1-7/8-12	1-7/8-12	55.9	80.5	1-7/8	2-1/8
C2701-LN-32-32	2-1/2-12	2-1/2-12	60.7	95.8	2-1/2	2-3/4

the process quality of sannke parts are assured by **KEYENCE** and **Mitutoyo**'s inspection machine .

Sannke[®]



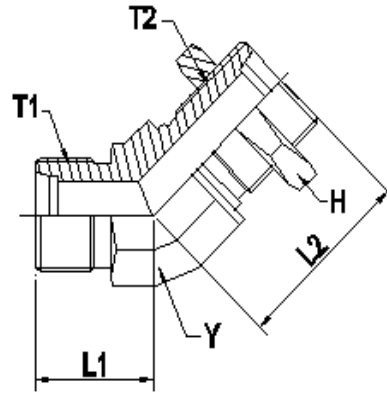
Fittings & Adapters

C2702-LN SERIES(45° ELBOW)

(1) FLARELESS MALE

(2) FLARELESS BULKHEAD MALE

SAE# 080801



PART NUMBER	T1(UNF/UN-2A)	T2(UNF/UN-2A)	L1	L2	Y(INCH)	H(INCH)
C2702-LN-02-02	5/16-24	5/16-24	16.3	32.5	7/16	9/16
C2702-LN-03-03	3/8-24	3/8-24	16.3	33.8	7/16	5/8
C2702-LN-04-04	7/16-20	7/16-20	17.8	36.8	7/16	11/16
C2702-LN-05-05	1/2-20	1/2-20	19.1	36.8	9/16	3/4
C2702-LN-06-06	9/16-18	9/16-18	21.1	39.6	9/16	13/16
C2702-LN-08-08	3/4-16	3/4-16	24.9	46	3/4	1
C2702-LN-10-10	7/8-14	7/8-14	27.4	52.1	7/8	1-1/8
C2702-LN-12-12	1-1/16-12	1-1/16-12	32.3	57.2	1-1/16	1-3/8
C2702-LN-14-14	1-3/16-12	1-3/16-12	34	58.7	1-5/16	1-1/2
C2702-LN-16-16	1-5/16-12	1-5/16-12	34.5	60.5	1-5/16	1-5/8
C2702-LN-20-20	1-5/8-12	1-5/8-12	36.8	61.2	1-5/8	1-7/8
C2702-LN-24-24	1-7/8-12	1-7/8-12	38.6	61.5	1-7/8	2-1/8
C2702-LN-32-32	2-1/2-12	2-1/2-12	46.5	65.5	2-1/2	2-3/4

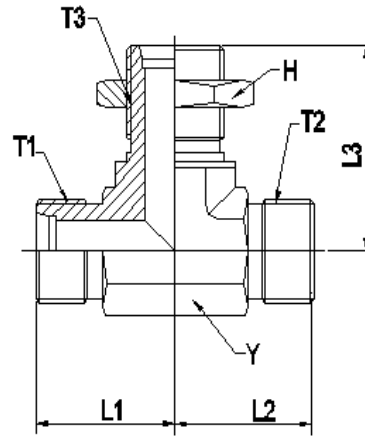
the process quality of sannke parts are assured by **KEYENCE** and **Mitutoyo** 's inspection machine .

Sannke[®]



Fittings & Adapters

C2703-LN SERIES(TEE)
 (1)&(2) FLARELESS MALE
 (3) FLARELESS BULKHEAD MALE
 SAE# 080959



PART NUMBER	T1,T2(UNF/UN-2A)	T3(UNF/UN-2A)	L1(L2)	L3	Y(INCH)	H(INCH)
C2703-LN-02-02-02	5/16-24	5/16-24	20.3	34.5	7/16	9/16
C2703-LN-03-03-03	3/8-24	3/8-24	23.9	36.6	7/16	5/8
C2703-LN-04-04-04	7/16-20	7/16-20	24.1	38.6	7/16	11/16
C2703-LN-05-05-05	1/2-20	1/2-20	26.7	42.2	9/16	3/4
C2703-LN-06-06-06	9/16-18	9/16-18	27.4	43.2	9/16	13/16
C2703-LN-08-08-08	3/4-16	3/4-16	33.8	50	3/4	1
C2703-LN-10-10-10	7/8-14	7/8-14	38.6	57.7	7/8	1-1/8
C2703-LN-12-12-12	1-1/16-12	1-1/16-12	41.7	63	1-1/16	1-3/8
C2703-LN-14-14-14	1-3/16-12	1-3/16-12	43.2	64.8	1-5/16	1-1/2
C2703-LN-16-16-16	1-5/16-12	1-5/16-12	43.9	66.3	1-5/16	1-5/8
C2703-LN-20-20-20	1-5/8-12	1-5/8-12	51.3	73.4	1-5/8	1-7/8
C2703-LN-24-24-24	1-7/8-12	1-7/8-12	55.9	80.5	1-7/8	2-1/8
C2703-LN-32-32-32	2-1/2-12	2-1/2-12	60.7	95.8	2-1/2	2-3/4

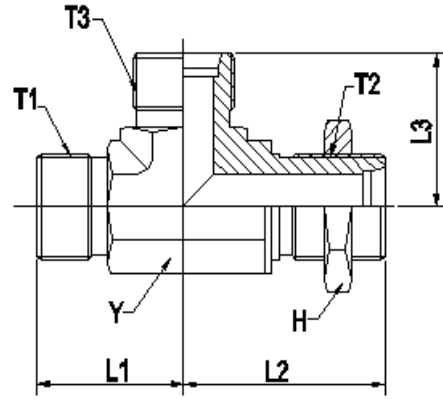
the process quality of sannke parts are assured by **KEYENCE** and **Mitutoyo**'s inspection machine .

Sannke[®]



Fittings & Adapters

C2704-LN SERIES(TEE)
 (1)&(3) FLARELESS MALE
 (2) FLARELESS BULKHEAD MALE
 SAE# 080958



PART NUMBER	T1,T3(UNF/UN-2A)	T2(UNF/UN-2A)	L1(L3)	L2	Y(INCH)	H(INCH)
C2704-LN-02-02-02	5/16-24	5/16-24	20.3	34.5	7/16	9/16
C2704-LN-03-03-03	3/8-24	3/8-24	23.9	36.6	7/16	5/8
C2704-LN-04-04-04	7/16-20	7/16-20	24.1	38.6	7/16	11/16
C2704-LN-05-05-05	1/2-20	1/2-20	26.7	42.2	9/16	3/4
C2704-LN-06-06-06	9/16-18	9/16-18	27.4	43.2	9/16	13/16
C2704-LN-08-08-08	3/4-16	3/4-16	33.8	50	3/4	1
C2704-LN-10-10-10	7/8-14	7/8-14	38.6	57.7	7/8	1-1/8
C2704-LN-12-12-12	1-1/16-12	1-1/16-12	41.7	63	1-1/16	1-3/8
C2704-LN-14-14-14	1-3/16-12	1-3/16-12	43.2	64.8	1-5/16	1-1/2
C2704-LN-16-16-16	1-5/16-12	1-5/16-12	43.9	66.3	1-5/16	1-5/8
C2704-LN-20-20-20	1-5/8-12	1-5/8-12	51.3	73.4	1-5/8	1-7/8
C2704-LN-24-24-24	1-7/8-12	1-7/8-12	55.9	80.5	1-7/8	2-1/8
C2704-LN-32-32-32	2-1/2-12	2-1/2-12	60.7	95.8	2-1/2	2-3/4

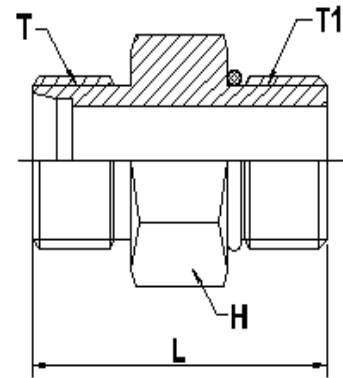
the process quality of sannke parts are assured by **KEYENCE** and **Mitutoyo**'s inspection machine.

Sannke[®]



Fittings & Adapters

C6400 SERIES
 (1) FLARELESS MALE
 (2) O-RING MALE BOSS
 SAE# 080120



PART NUMBER	T (UNF/UN-2A)	T1 (UNF/UN-2A)	L	H (INCH)
C6400-02-02-O	5/16-24	5/16-24	25.2	7/16
C6400-03-03-O	3/8-24	3/8-24	26.4	1/2
C6400-04-02-O	7/16-20	5/16-24	27.2	1/2
C6400-04-04-O	7/16-20	7/16-20	28.8	9/16
C6400-04-05-O	7/16-20	1/2-20	28.8	5/8
C6400-04-06-O	7/16-20	9/16-18	30.3	11/16
C6400-05-05-O	1/2-20	1/2-20	28.8	5/8
C6400-06-06-O	9/16-18	9/16-18	30.7	11/16
C6400-06-08-O	9/16-18	3/4-16	32.8	7/8
C6400-08-06-O	3/4-16	9/16-18	34.0	13/16
C6400-08-08-O	3/4-16	3/4-16	35.1	7/8
C6400-08-10-O	3/4-16	7/8-14	38.4	1
C6400-08-12-O	3/4-16	1-1/16-12	42.4	1-1/4
C6400-10-10-O	7/8-14	7/8-14	39.9	1
C6400-12-08-O	1-1/16-12	3/4-16	44.7	1-1/8
C6400-12-12-O	1-1/16-12	1-1/16-12	45.5	1-1/4
C6400-12-16-O	1-1/16-12	1-5/16-12	46.2	1-1/2
C6400-16-12-O	1-5/16-12	1-1/16-12	46.2	1-1/2
C6400-16-16-O	1-5/16-12	1-5/16-12	46.3	1-1/2
C6400-20-20-O	1-5/8-12	1-5/8-12	48.3	1-7/8
C6400-24-24-O	1-7/8-12	1-7/8-12	50.0	2-1/8
C6400-32-32-O	2-1/2-12	2-1/2-12	54.1	2-3/4

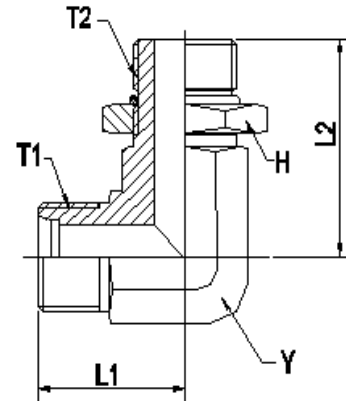
the process quality of sannke parts are assured by **KEYENCE** and **Mitutoyo**'s inspection machine.

Sannke[®]



Fittings & Adapters

C6801 SERIES(90° ELBOW)
 (1) FLARELESS MALE
 (2) ADJUSTABLE O-RING
 SAE# 080220



PART NUMBER	T1(UNF/UN-2A)	T2(UNF/UN-2A)	L1	L2	Y(INCH)	H(INCH)
C6801-03-03-NWO	3/8-24	3/8-24	21.1	23.9	7/16	1/2
C6801-04-04-NWO	7/16-20	7/16-20	22.6	26.2	7/16	9/16
C6801-06-06-NWO	9/16-18	9/16-18	26.7	31.8	9/16	11/16
C6801-06-08-NWO	9/16-18	3/4-16	29.0	36.8	3/4	7/8
C6801-08-06-NWO	3/4-16	9/16-18	31.8	33.5	3/4	11/16
C6801-08-08-NWO	3/4-16	3/4-16	31.8	36.8	3/4	7/8
C6801-08-10-NWO	3/4-16	7/8-14	34.3	43.2	7/8	1
C6801-08-12-NWO	3/4-16	1-1/16-12	36.3	49.3	1-1/16	1-1/4
C6801-10-10-NWO	7/8-14	7/8-14	36.1	43.2	7/8	1
C6801-12-08-NWO	1-1/16-12	3/4-16	40.1	41.2	1-1/16	7/8
C6801-12-10-NWO	1-1/16-12	7/8-14	40.1	47.2	1-1/16	1
C6801-12-12-NWO	1-1/16-12	1-1/16-12	40.1	49.3	1-1/16	1-1/4
C6801-16-16-NWO	1-5/16-12	1-5/16-12	43.9	52.1	1-5/16	1-1/2
C6801-20-20-NWO	1-5/8-12	1-5/8-12	48.0	57.2	1-5/8	1-7/8
C6801-24-24-NWO	1-7/8-12	1-7/8-12	51.3	60.7	1-7/8	2-1/8

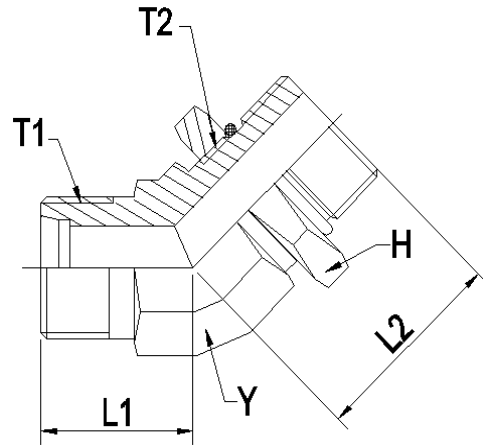
the process quality of sannke parts are assured by **KEYENCE** and **Mitutoyo**'s inspection machine .

Sannke[®]



Fittings & Adapters

C6802 SERIES (45° ELBOW)
 (1) FLARELESS MALE
 (2) ADJUSTABLE O-RING
 SAE# 080320



PART NUMBER	T1(UNF-2A)	T2(UNF-2A)	L1	L2	Y(INCH)	H(INCH)
C6802-04-04-NWO	7/16-20	7/16-20	17.8	26.7	7/16	9/16
C6802-06-06-NWO	9/16-18	9/16-18	21.1	29.0	9/16	11/16
C6802-08-08-NWO	3/4-16	3/4-16	24.9	33.0	3/4	7/8
C6802-10-10-NWO	7/8-14	7/8-14	27.4	38.6	7/8	1
C6802-12-12-NWO	1-1/16-12	1-1/16-12	32.3	43.9	1-1/16	1-1/4
C6802-16-16-NWO	1-5/16-12	1-5/16-12	34.5	47.2	1-5/16	1-1/2
C6802-20-20-NWO	1-5/8-12	1-5/8-12	36.8	48.5	1-5/8	1-7/8

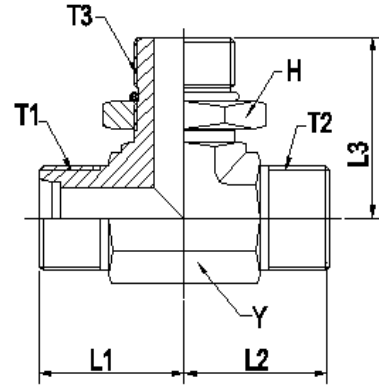
the process quality of sannke parts are assured by **KEYENCE** and **Mitutoyo** 's inspection machine .

Sannke[®]



Fittings & Adapters

C6803 SERIES (TEE)
 (1)&(2) FLARELESS MALE
 (3) ADJUSTABLE O-RING
 SAE# 080429



PART NUMBER	T1,T2(UNF-2A)	T3(UNF-2A)	L1(L2)	L3	Y(INCH)	H(INCH)
C6803-04-04-04-NWO	7/16-20	7/16-20	22.6	26.2	7/16	9/16
C6803-06-06-06-NWO	9/16-18	9/16-18	26.7	31.8	9/16	11/16
C6803-08-08-08-NWO	3/4-16	3/4-16	31.8	36.8	3/4	7/8
C6803-10-10-10-NWO	7/8-14	7/8-14	36.1	43.2	7/8	1
C6803-12-12-12-NWO	1-1/16-12	1-1/16-12	40.1	49.3	1-1/16	1-1/4

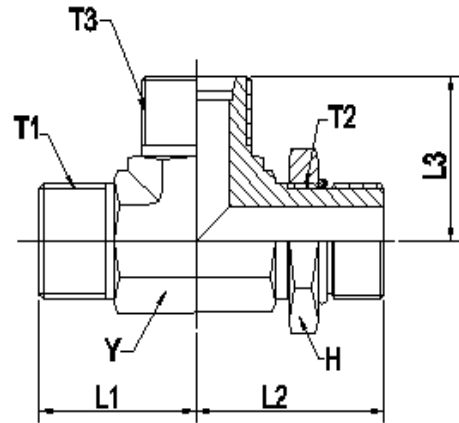
the process quality of sannke parts are assured by **KEYENCE** and **Mitutoyo**'s inspection machine .

Sannke[®]



Fittings & Adapters

C6804 SERIES (TEE)
 (1)&(3) FLARELESS MALE
 (2) ADJUSTABLE O-RING
 SAE# 080428



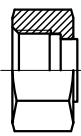

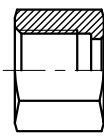
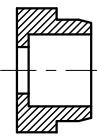
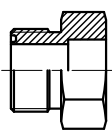
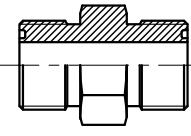
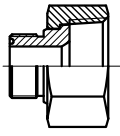
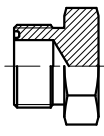
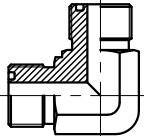
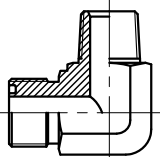
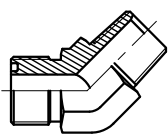
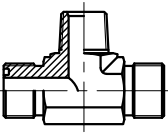
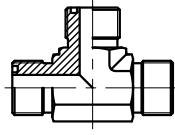
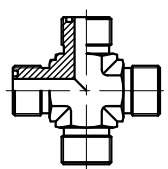
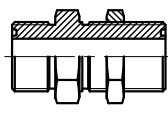
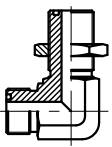
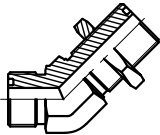
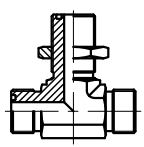
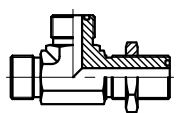
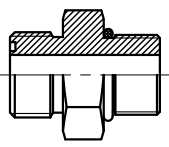
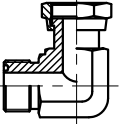
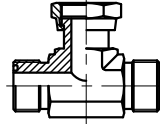
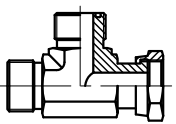
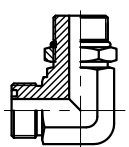
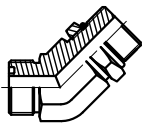
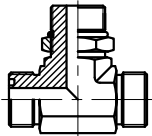
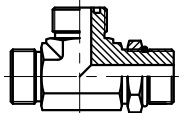
PART NUMBER	T1,T3(UNF-2A)	T2(UNF-2A)	L1(L3)	L2	Y(INCH)	H(INCH)
C6804-04-04-04-NWO	7/16-20	7/16-20	22.6	22.6	7/16	9/16
C6804-06-06-06-NWO	9/16-18	9/16-18	26.7	31.8	9/16	11/16
C6804-08-08-08-NWO	3/4-16	3/4-16	31.8	36.8	3/4	7/8
C6804-10-10-10-NWO	7/8-14	7/8-14	36.1	43.2	7/8	1
C6804-12-12-12-NWO	1-1/16-12	1-1/16-12	40.1	49.3	1-1/16	1-1/4

the process quality of sannke parts are assured by **KEYENCE** and **Mitutoyo** 's inspection machine .

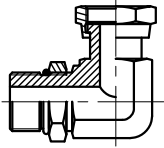
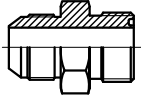
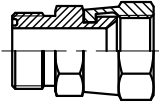
Sannke®



O-RING FACE SEAL

(520112) 	(520118) 	(520110) 	(520115) 	(520104) 
FS0304 CAP NUT P158	FS0306 P159	FS0318 TUBE NUT P160	FS0319 TUBE SLEEVE P161	FS0403 (1) MALE ORFS (2) BORE P162
(520101) 	(520123) 	(520109) 	(520201) 	
FS2403 (1)&(2) MALE ORFS P163	FS2404 (1) MALE ORFS (2) MALE PIPE P164	FS2406 (1) FEMALE ORFS (2) MALE ORFS P165	FS2408 MALE ORFS PLUG P166	FS2500 (1)&(2) MALE ORFS P167
(520601) 	(520701) 	(520801) 	(520401) 	(520201) 
FS2501 (1) MALE ORFS (2) MALE PIPE P168	FS2503 (1) MALE ORFS (2) MALE PIPE P169	FS2601 (1)&(2) MALE ORFS (3) MALE PIPE P170	FS2603 (1), (2)&(3) MALE ORFS P171	FS2650 (1)~(3) MALE ORFS P172
(520601) 	(520701) 	(520801) 	(520959) 	(520958) 
FS2700-LN (1) MALE ORFS (2) BULKHEAD ORFS P173	FS2701-LN (1) MALE ORFS (2) BULKHEAD ORFS P174	FS2702-LN (1) MALE ORFS (2) BULKHEAD ORFS P175	FS2703-LN (1)&(2) MALE ORFS (3) BULKHEAD ORFSE P176	FS2704-LN (1)&(3) MALE ORFS (2) BULKHEAD ORFSE P177
(520120) 	(520221) 	(520433) 	(520432) 	
FS6400 (1) MALE ORFS (2) MALE O-RING P178	FS6400-L (1) MALE ORFS (2) MALE O-RING P179	FS6500 (1) MALE ORFS (2) ORFS FEMALE SWIVEL P180	FS6600 (1)&(2) MALE ORFS (3) ORFS FEMALE SWIVEL P181	FS6602 (1)&(3) MALE ORFS (2) ORFS FEMALE SWIVEL P182
(520220) 	(520320) 	(520429) 	(520428) 	
FS6801 (1) MALE ORFS (2) ADJUSTABLE O-RING P183	FS6801-L (1) MALE ORFS (2) ADJUSTABLE O-RING P184	FS6802 (1) MALE ORFS (2) ADJUSTABLE O-RING P185	FS6803 (1)&(2) MALE ORFS (3) ADJUSTABLE O-RING P186	FS6804 (1)&(3) MALE ORFS (2) ADJUSTABLE O-RING P187

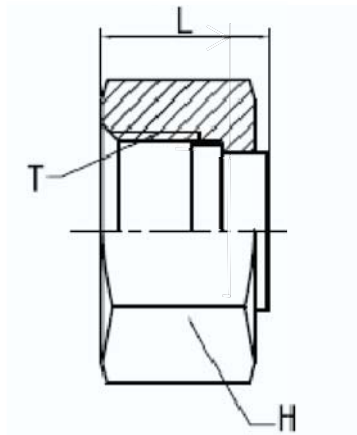
O-RING FACE SEAL

<p style="text-align: center;">(520281)</p>  <p>FS6809 (1) ADJUSTABLE O-RING (2) ORFS FEMALE SWIVEL</p> <p style="text-align: right;">P188</p>	 <p>FS-MJIC2403 (1) 37° MALE TUBE (2) MALE ORFS</p> <p style="text-align: right;">P189</p>	 <p>FS-MJIC6504 (1) ORFS FEMALE SWIVEL (2) 37° FEMALE SWIVEL</p> <p style="text-align: right;">P190</p>	

Fittings & Adapters

FS0304 SERIES
CUP NUT

SAEJ1453 520112



PART NUMBER	T (UNF/UN-2B)	L	H (INCH)
FS0304-C-04	9/16-18	16.9	11/16
FS0304-C-06	11/16-16	18.9	13/16
FS0304-C-08	13/16-16	22.9	15/16
FS0304-C-10	1/1/4	25.4	1-1/8
FS0304-C-12	1-3/16-12	28	1-3/8
FS0304-C-16	1-7/16-12	27.2	1-5/8
FS0304-C-20	1-11/16-12	29.8	1-7/8
FS0304-C-24	2-12	29.8	2-1/4

the process quality of sannke parts are assured by **KEYENCE** and **Mitutoyo** 's inspection machine .

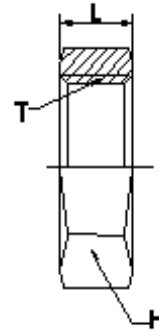
Sannke[®]



Fittings & Adapters

FS0306 SERIES (BULKHEAD LOCKNUT)

SAE# 520118



PART NUMBER	TUBE OD	T(UNF/UN-2B)	L	H (INCH)
FS0306-04	1/4	9/16-18	6.9	13/16
FS0306-06	3/8	11/16-16	7.9	1
FS0306-08	1/2	13/16-16	8.9	1-1/8
FS0306-10	5/8	1-14	10.4	1-5/16
FS0306-12	3/4	1-3/16-12	10.4	1-1/2
FS0306-16	1	1-7/16-12	10.4	1-3/4
FS0306-20	1-1/4	1-11/16-12	10.4	2
FS0306-24	1-1/2	2-12	10.4	2-3/8

the process quality of sannke parts are assureded by **KEYENCE** and **Mitutoyo** 's inspection machine .

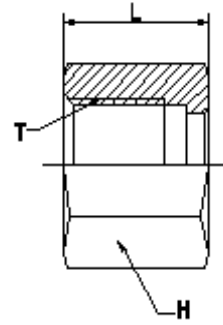
Sannke[®]



Fittings & Adapters

FS0318 SERIES
TUBE NUT

SAE# 520110



PART NUMBER	T (UNF/UN-2B)	L	H (INCH)
FS0318-04	9/16-18	14.7	11/16
FS0318-06	11/16-16	17.0	13/16
FS0318-08	13/16-16	21.0	15/16
FS0318-10	1/1/4	23.5	1-1/8
FS0318-12	1-3/16-12	26.0	1-3/8
FS0318-16	1-7/16-12	27.8	1-5/8
FS0318-20	1-11/16-12	27.8	1-7/8
FS0318-24	2-12	27.8	2-1/4

the process quality of sannke parts are assured by **KEYENCE** and **Mitutoyo** 's inspection machine .

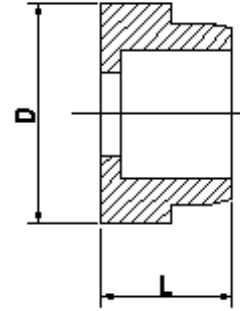
Sannke[®]



Fittings & Adapters

FS0319 SERIES
TUBE SLEEVE

SAE# 520115



PART NUMBER	TUBE OD	L	D
FS0319-04	1/4	9.5	12.75
FS0319-06	3/8	9.5	15.75
FS0319-08	1/2	9.5	18.92
FS0319-10	5/8	10.5	23.44
FS0319-12	3/4	14	27.86
FS0319-16	1	15.5	34.21
FS0319-20	1-1/4	15.5	40.56
FS0319-24	1-1/2	15.5	48.51

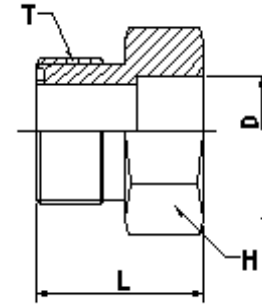
the process quality of sannke parts are assured by **KEYENCE** and **Mitutoyo** 's inspection machine .

Sannke[®]



Fittings & Adapters

FS0403 SERIES
 (1) MALE ORFS
 (2) BORE
 SAE# 520104



PART NUMBER	T(UNF/UN-2A)	TUBE OD	L	D	H(INCH)
FS0403-04-04	9/16-18	1/4	21.8	6.5	5/8
FS0403-04-06	9/16-18	3/8	21.8	9.7	5/8
FS0403-06-06	11/16-16	3/8	22.9	9.7	3/4
FS0403-06-10	11/16-16	5/8	22.9	16.0	7/8
FS0403-08-06	13/16-16	3/8	24.6	9.7	7/8
FS0403-08-08	13/16-16	1/2	24.6	12.9	7/8
FS0403-08-10	13/16-16	5/8	24.6	16.0	7/8
FS0403-10-08	1-14	1/2	27.2	12.9	1-1/16
FS0403-10-10	1-14	5/8	27.2	16.0	1-1/16
FS0403-12-10	1-3/16-12	5/8	29.5	16.0	1-1/4
FS0403-12-12	1-3/16-12	3/4	33.5	19.2	1-1/4
FS0403-16-12	1-7/16-12	3/4	38.6	19.2	1-1/2
FS0403-16-16	1-7/16-12	1	38.6	25.6	1-1/2
FS0403-20-20	1-11/16-12	1-1/4	38.6	32.0	1-3/4
FS0403-24-20	2-12	1-1/4	38.6	32.0	2-1/8
FS0403-24-24	2-12	1-1/2	38.6	38.3	2-1/8

the process quality of sannke parts are assured by **KEYENCE** and **Mitutoyo** 's inspection machine .

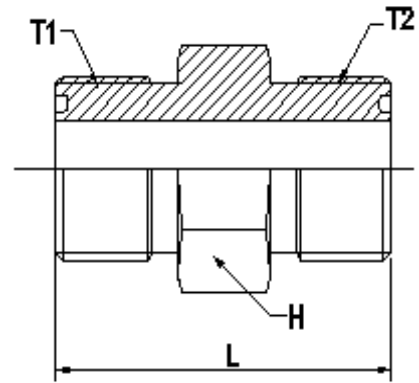
Sannke[®]



Fittings & Adapters

FS2403 SERIES (STRAIGHT UNION)
(1)&(2) MALE ORFS

SAE# 520101



PART NUMBER	T1(UNF/UN-2A)	T2(UNF/UN-2A)	L	H (INCH)
FS2403-04-04	9/16-18	9/16-18	27.4	5/8
FS2403-06-04	11/16-16	9/16-18	29.7	3/4
FS2403-06-06	11/16-16	11/16-16	31.0	3/4
FS2403-08-06	13/16-16	11/16-16	33.8	7/8
FS2403-08-08	13/16-16	13/16-16	35.3	7/8
FS2403-10-08	1-14	13/16-16	39.9	1-1/16
FS2403-10-10	1-14	1-14	42.7	1-1/16
FS2403-12-08	1-3/16-12	1-3/16-16	42.9	1-1/4
FS2403-12-10	1-3/16-12	1-14	45.7	1-1/4
FS2403-12-12	1-3/16-12	1-3/16-12	47.2	1-1/4
FS2403-16-12	1-7/16-12	1-3/16-12	48.8	1-1/2
FS2403-16-16	1-7/16-12	1-7/16-12	49.3	1-1/2
FS2403-20-20	1-11/16-12	1-7/16-12	51.3	1-3/4
FS2403-24-20	1-11/16-12	1-11/16-12	51.3	1-3/4
FS2403-24-24	2-12	2-12	53.1	2-1/8

the process quality of sannke parts are assured by **KEYENCE** and **Mitutoyo**'s inspection machine.

Sannke[®]



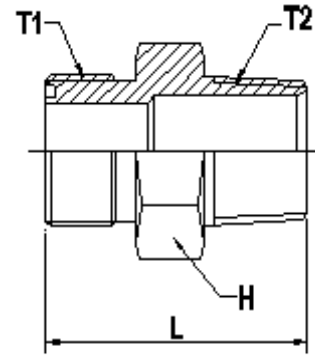
Fittings & Adapters

FS2404 SERIES (STRAIGHT UNION)

(1) MALE ORFS

(2) MALE PIPE

SAE#



PART NUMBER	T1(UNF/UN-2A)	T2(NPTF)	L	H (INCH)
FS2404-04-02	9/16-18	1/8-27	27.4	5/8
FS2404-04-04	9/16-18	1/4-18	31.9	5/8
FS2404-04-06	9/16-18	3/8-18	32.7	3/4
FS2404-06-02	11/16-16	1/8-27	29.6	3/4
FS2404-06-04	11/16-16	1/4-18	34.1	3/4
FS2404-06-06	11/16-16	3/8-18	34.1	3/4
FS2404-06-08	11/16-16	1/2-14	40	7/8
FS2404-08-04	13/16-16	1/4-18	36.8	7/8
FS2404-08-06	13/16-16	3/8-18	36.8	7/8
FS2404-08-08	13/16-16	1/2-14	41.7	7/8
FS2404-08-12	13/16-16	3/4-14	42.9	1-1/8
FS2404-10-08	1-14	1/2-14	46.1	1-1/16
FS2404-10-12	1-14	3/4-14	46.1	1-1/16
FS2404-12-08	1-3/16-12	1/2-14	49.2	1-1/4
FS2404-12-12	1-3/16-12	3/4-14	49.2	1-1/4
FS2404-12-16	1-3/16-12	1-11-1/2	54	1-5/16
FS2404-16-12	1-7/16-12	3/4-14	50.9	1-1/2
FS2404-16-16	1-7/16-12	1-11-1/2	55.7	1-1/2
FS2404-16-20	1-7/16-12	1-1/4-11-1/2	58.4	1-11/16
FS2404-20-16	1-11/16-12	1-11-1/2	57.7	1-3/4
FS2404-20-20	1-11/16-12	1-1/4-11-1/2	58.4	1-3/4
FS2404-24-24	2-12	1-1/2-11-1/2	61	2-1/8

the process quality of sannke parts are assured by **KEYENCE** and **Mitutoyo**'s inspection machine.

Sannke[®]



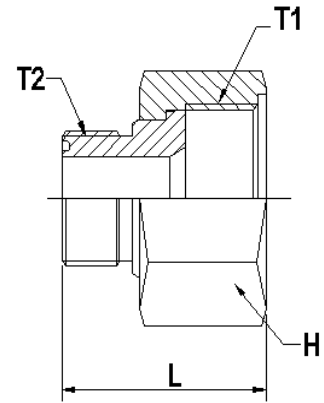
Fittings & Adapters

FS2406 SERIES (REDUCER ASSEMBLY)

(1) FEMALE ORFS

(2) MALE ORFS

SAE# 520123



PART NUMBER	T1(UNF/UN-2B)	T1(UNF/UN-2A)	L	H (INCH)
FS2406-06-04	11/16-16	9/16-18	29.1	13/16
FS2406-08-04	13/16-16	9/16-18	32.9	15/16
FS2406-08-06	13/16-16	11/16-16	33.7	15/16
FS2406-10-04	1-14	9/16-18	36.4	1-1/8
FS2406-10-06	1-14	11/16-16	37.7	1-1/8
FS2406-10-08	1-14	13/16-16	39.2	1-1/8
FS2406-12-04	1-3/16-12	9/16-18	39.4	1-3/8
FS2406-12-06	1-3/16-12	11/16-16	40.7	1-3/8
FS2406-12-08	1-3/16-12	13/16-16	42.2	1-3/8
FS2406-12-10	1-3/16-12	1-14	44.0	1-3/8
FS2406-16-08	1-7/16-12	13/16-16	44.0	1-5/8
FS2406-16-12	1-7/16-12	1-3/16-12	48.0	1-5/8
FS2406-20-12	1-11/16-12	1-3/16-12	48.3	1-7/8
FS2406-20-16	1-11/16-12	1-7/16-12	53.2	1-7/8
FS2406-24-16	2-12	1-7/16-12	48.9	2-1/4
FS2406-24-20	2-12	1-11/16-12	48.9	2-1/4

the process quality of sannke parts are assured by **KEYENCE** and **Mitutoyo**'s inspection machine .

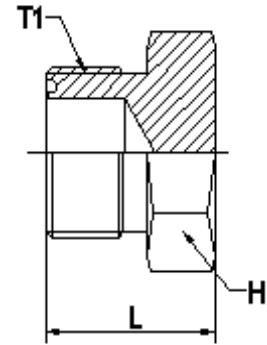
Sannke[®]



Fittings & Adapters

FS2408 SERIES
MALE ORFS PLUG

SAE# 520109



PART NUMBER	T1(UNF/UN-2A)	L	H (INCH)
FS2408-04	9/16-18	16.7	5/8
FS2408-06	11/16-16	19.1	3/4
FS2408-08	13/16-16	21.7	7/8
FS2408-10	1-14	25.9	1-1/16
FS2408-12	1-3/16-12	27.4	1-1/4
FS2408-16	1-7/16-12	27.9	1-1/2
FS2408-20	1-11/16-12	27.9	1-3/4
FS2408-24	2-12	27.9	2-1/8

the process quality of sannke parts are assured by **KEYENCE** and **Mitutoyo** 's inspection machine .

Sannke[®]

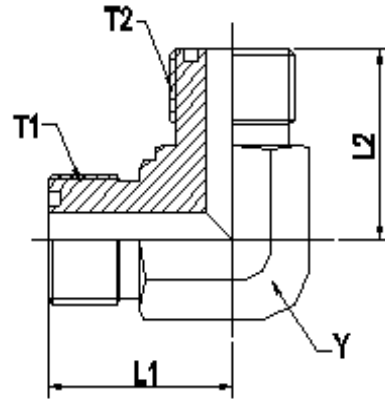


Fittings & Adapters

FS2500 SERIES (90° ELBOW)

(1) & (2) MALE ORFS

SAE# 520201



PART NUMBER	T1(UNF/UN-2A)	T2(UNF/UN-2A)	L1	L2	Y(INCH)
FS2500-04-04	9/16-18	9/16-18	21.6	21.6	9/16
FS2500-06-06	11/16-16	11/16-16	24.9	24.9	3/4
FS2500-08-08	13/16-16	13/16-16	28.0	28.0	3/4
FS2500-10-10	1-14	1-14	33.3	33.3	1-1/16
FS2500-12-12	1-3/16-12	1-3/16-12	37.3	37.3	1-3/16
FS2500-16-16	1-7/16-12	1-7/16-12	41.7	41.7	1-7/16
FS2500-20-20	1-11/16-12	1-11/16-12	44.7	44.7	1-5/8
FS2500-24-24	2-12	2-12	48.8	48.8	1-7/8

the process quality of sannke parts are assured by **KEYENCE** and **Mitutoyo**'s inspection machine .

Sannke[®]



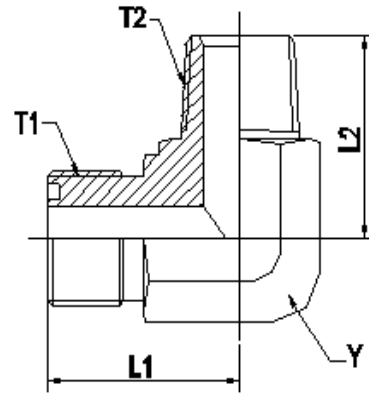
Fittings & Adapters

FS2501 SERIES (90° ELBOW)

(1) MALE ORFS

(2) MALE PIPE

SAE#



PART NUMBER	T1(UNF/UN-2A)	T2(NPTF)	L1	L2	Y(INCH)
FS2501-04-02	9/16-18	1/8-27	21.6	19.8	9/16
FS2501-04-04	9/16-18	1/4-18	21.6	28.5	9/16
FS2501-04-06	9/16-18	3/8-18	24.6	31.0	3/4
FS2501-04-08	9/16-18	1/2-14	27.7	37.3	7/8
FS2501-06-04	11/16-16	1/4-18	24.9	27.7	3/4
FS2501-06-06	11/16-16	3/8-18	27.7	31.0	3/4
FS2501-06-08	11/16-16	1/2-14	27.9	37.3	7/8
FS2501-08-04	13/16-16	1/4-18	27.9	31.0	3/4
FS2501-08-06	13/16-16	3/8-18	27.9	31.0	3/4
FS2501-08-08	13/16-16	1/2-14	27.9	37.3	7/8
FS2501-08-12	13/16-16	3/4-14	33.5	40.4	1-1/16
FS2501-10-08	1-14	1/2-14	33.3	37.3	1-1/16
FS2501-10-12	1-14	3/4-14	35.8	40.4	1-1/16
FS2501-10-16	1-14	1-11-1/2	39.6	50.0	1-5/16
FS2501-12-08	1-3/16-12	1/2-14	37.3	40.4	1-3/16
FS2501-12-12	1-3/16-12	3/4-14	37.3	40.4	1-3/16
FS2501-12-16	1-3/16-12	1-11-1/2	41.2	50.0	1-5/16
FS2501-16-12	1-7/16-12	3/4-14	41.7	45.2	1-7/16
FS2501-16-16	1-7/16-12	1-11-1/2	41.7	50.0	1-7/16
FS2501-20-16	1-11/16-12	1-11-1/2	44.7	59.0	1-5/8
FS2501-20-20	1-11/16-12	1-1/4-11-1/2	44.7	60.5	1-5/8
FS2501-24-20	2-12	1-1/4-11-1/2	48.8	66.0	1-7/8
FS2501-24-24	2-12	1-1/2-11-1/2	48.8	67.0	1-7/8

the process quality of sannke parts are assured by **KEYENCE** and **Mitutoyo**'s inspection machine.

Sannke[®]



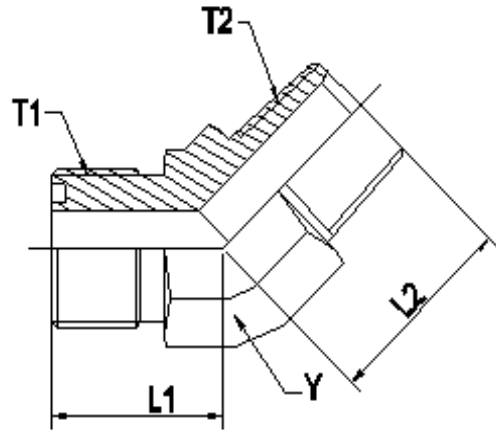
Fittings & Adapters

FS2503 SERIES (45° ELBOW)

(1) MALE ORFS

(2) MALE PIPE

SAE#



PART NUMBER	T1(UNF/UN-2A)	T2(NPTF)	L1	L2	Y(INCH)
FS2503-04-02	9/16-18	1/8-27	16.0	16.3	9/16
FS2503-04-04	9/16-18	1/4-18	16.0	21.8	9/16
FS2503-06-04	11/16-16	1/4-18	18.8	21.8	3/4
FS2503-06-06	11/16-16	3/8-18	18.8	24.1	3/4
FS2503-08-06	13/16-16	3/8-18	20.3	24.1	3/4
FS2503-08-08	13/16-16	1/2-14	20.3	29.7	7/8
FS2503-10-08	1-14	1/2-14	23.4	29.9	1-1/16
FS2503-12-12	1-3/16-12	3/4-14	25.9	33.0	1-3/16
FS2503-16-16	1-7/16-12	1-11-1/2	30.0	39.6	1-7/16
FS2503-20-20	1-11/16-12	1-1/4-11-1/2	32.0	42.4	1-5/8

the process quality of sannke parts are assured by **KEYENCE** and **Mitutoyo**'s inspection machine.

Sannke®



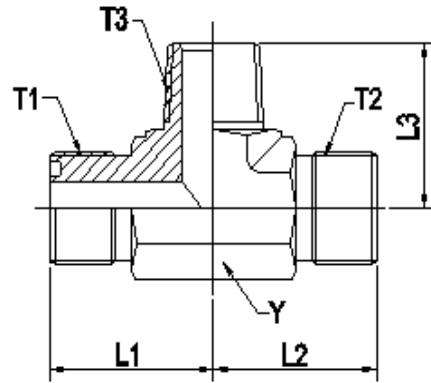
Fittings & Adapters

FS2601 SERIES (TEE)

(1) & (2) MALE ORFS

(3) MALE PIPE

SAE#



PART NUMBER	T1,T2(UNF/UN-2A)	T3(NPTF)	L1(L2)	L3	Y(INCH)
FS2601-04-04-04	9/16-18	1/4-18	21.6	27.7	9/16
FS2601-06-06-04	11/16-16	1/4-18	24.9	27.7	3/4
FS2601-06-06-06	11/16-16	3/8-18	24.9	31.0	3/4
FS2601-08-08-06	13/16-16	3/8-18	27.9	31.0	3/4
FS2601-08-08-08	13/16-16	1/2-14	27.9	37.3	7/8
FS2601-12-12-12	1-3/16-12	3/4-14	37.3	40.4	1-3/16
FS2601-16-16-16	1-7/16-12	1-11-1/2	41.7	50.0	1-7/16
FS2601-20-20-20	1-11/16-12	1-1/4-11-1/2	44.7	60.5	1-5/8

the process quality of sannke parts are assured by **KEYENCE** and **Mitutoyo** 's inspection machine .

Sannke®

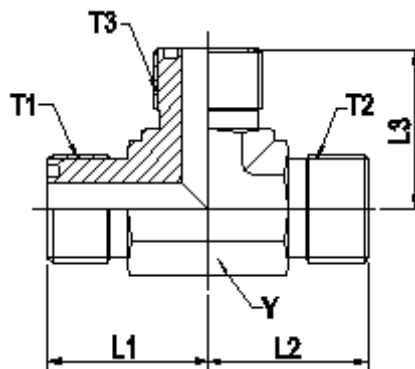


Fitting & Adapters

FS2603 SERIES

(1) (2) & (3) MALE ORFS

SAE# 520401



PART NUMBER	T1(UNF/UN-2A)	T2(UNF/UN-2A)	T3(UNF/UN-2A)	L1	L2	L3	Y(INCH)
FS2603-04-04-04	9/16-18	9/16-18	9/16-19	21.6	21.6	21.6	9/16
FS2603-06-06-06	11/16-16	11/16-16	11/16-16	24.9	24.9	24.9	3/4
FS2603-08-08-08	13/16-16	13/16	13/16	27.9	27.9	27.9	3/4
FS2603-10-10-10	1-14	1-14	1-14	33.3	33.3	33.3	1-1/16
FS2603-12-12-12	1-3/16-12	1-3/6-12	1-3/6-12	37.3	37.3	37.3	1-3/16
FS2603-12-12-16	1-3/16-12	1-3/16-12	1-7/6-12	41.1	41.1	41.6	1-7/16
FS2603-16-16-12	1-7/16-12	1-7/16-12	1-3/6-12	41.7	41.7	41.7	1-7/16
FS2603-16-16-16	1-7/16-12	1-7/16-12	1-7/6-12	41.7	41.7	41.7	1-7/16
FS2603-20-20-16	1-11/16-12	1-11/16-12	1-7/6-12	44.7	44.7	44.7	1-5/8
FS2603-20-20-20	1-11/16-12	1-11/16-12	1-11/16-12	44.7	44.7	44.7	1-5/8
FS2603-24-24-24	2-12	2-12	2-12	48.8	48.8	48.8	1-7/8

the process quality of sannke parts are assured by **KEYENCE** and **Mitutoyo**'s inspection machine .

Sannke®

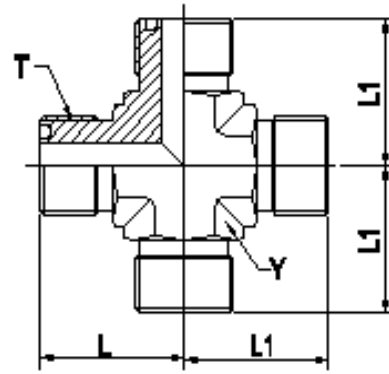


Fitting & Adapters

FS2650 SERIES(ACROSS)

(1)~(4) MALE ORFS

SAE# 520201



PART NUMBER	T(UNF/UN-2A)	L(L1)	Y(INCH)
FS2650-04-04-04-04	9/16-18	21.6	9/16
FS2650-06-06-06-06	11/16-16	24.9	3/4
FS2650-08-08-08-08	13/16-16	27.9	3/4
FS2650-10-10-10-10	1-14	33.3	1-1/16
FS2650-12-12-12-12	1-3/16-12	37.3	1-3/16
FS2650-16-16-16-16	1-7/16-12	41.7	1-7/16
FS2650-20-20-20-20	1-11/16-12	44.7	1-5/8
FS2650-24-24-24-24	2-12	48.8	1-7/8

the process quality of sannke parts are assured by **KEYENCE** and **Mitutoyo** 's inspection machine .

Sannke®



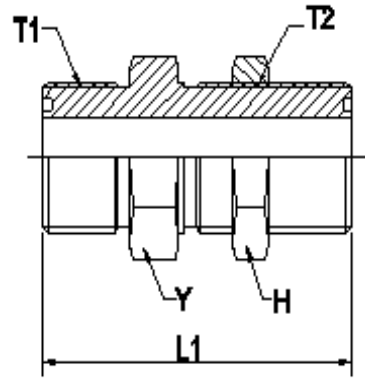
Fitting & Adapters

FS2700-LN SERIES(BULKHEAD UNION)

(1) MALE ORFS

(2) BULKHEAD ORFS

SAE# 520601



PART NUMBER	T1(UNF/UN-2A)	T2(UNF/UN-2A)	L1	Y(INCH)	H(INCH)
FS2700-LN-04-04	9/16-18	9/16-18	48.3	13/16	13/16
FS2700-LN-06-06	11/16-16	11/16-16	53.1	1	1
FS2700-LN-08-08	13/16-16	13/16-16	58.4	1-1/8	1-1/8
FS2700-LN-10-10	1-14	1-14	66.6	1-5/16	1-5/16
FS2700-LN-12-12	1-3/16-12	1-3/16-12	69.1	1-1/2	1-1/2
FS2700-LN-16-16	1-7/16-12	1-7/16-12	70.1	1-3/4	1-3/4
FS2700-LN-20-20	1-11/16-12	1-11/16-12	70.1	2	2
FS2700-LN-24-24	2-12	2-12	70.1	2-3/8	2-3/8

the process quality of sannke parts are assured by **KEYENCE** and **Mitutoyo**'s inspection machine .

Sannke®



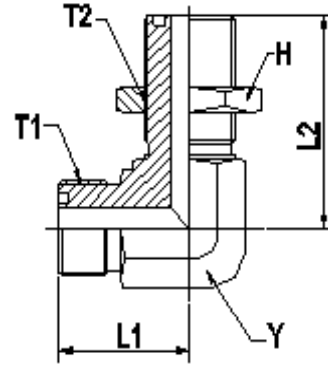
Fitting & Adapters

FS2701-LN SERIES(90° ELBOW)

(1) MALE ORFS

(2) BULKHEAD ORFS

SAE# 520701



PART NUMBER	T1(UNF/UN-2A)	T2(UNF/UN-2A)	L1	L2	Y(INCH)	H(INCH)
FS2701-LN-04-04	9/16-18	9/16-18	22.6	47	9/16	13/16
FS2701-LN-06-06	11/16-16	11/16-16	26	52	3/4	1
FS2701-LN-06-08	11/16-16	13/16-16	27.4	55.4	3/4	1-1/8
FS2701-LN-08-06	13/16-16	11/16-16	29.0	53	3/4	1
FS2701-LN-08-08	13/16-16	13/16-16	29.0	55.4	3/4	1-1/8
FS2701-LN-08-10	13/16-16	1-14	32	63	1-1/16	1-5/16
FS2701-LN-10-10	1-14	1-14	34.5	63	1-1/16	1-5/16
FS2701-LN-12-12	1-3/16-12	1-3/16-12	38.5	67.2	1-3/16	1-1/2
FS2701-LN-16-16	1-7/16-12	1-7/16-12	42.4	71.1	1-7/16	1-3/4
FS2701-LN-20-20	1-11/16-12	1-11/16-12	45.5	75.4	1-5/8	2
FS2701-LN-24-24	2-12	2-12	49.5	79.5	1-7/8	2-3/8
FS2701-LN-L-08-08	13/16-16	13/16-16	29.0	93.5	3/4	1-1/8

the process quality of sannke parts are assured by **KEYENCE** and **Mitutoyo** 's inspection machine .

Sannke®



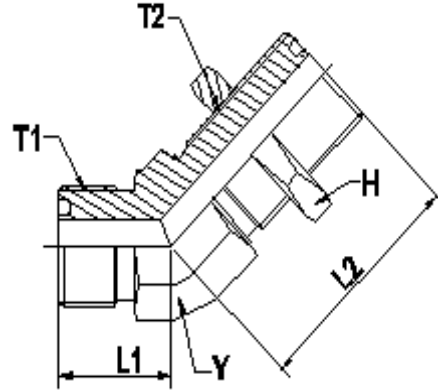
Fitting & Adapters

FS2702-LN SERIES(45° ELBOW)

(1) MALE ORFS

(2) BULKHEAD ORFS

SAE# 520801



PART NUMBER	T1(UNF/UN-2A)	T2(UNF/UN-2A)	L1	L2	Y(INCH)	H(INCH)
FS2702-LN-04-04	9/16-18	9/16-18	16.0	43.9	9/16	13/16
FS2702-LN-06-06	11/16-16	11/16-16	18.8	48.5	3/4	1
FS2702-LN-08-08	13/16-16	13/16-16	20.3	51.1	3/4	1-1/8
FS2702-LN-10-10	1-14	1-14	23.4	56.6	1-1/16	1-5/16
FS2702-LN-12-12	1-3/16-12	1-3/16-12	25.9	60.7	1-3/16	1-1/2
FS2702-LN-16-16	1-7/16-12	1-7/16-12	30.0	65.3	1-7/16	1-3/4
FS2702-LN-20-20	1-11/16-12	1-11/16-12	32.0	67.1	1-5/8	2
FS2702-LN-24-24	2-12	2-12	36.8	67.1	1-7/8	2-3/8

the process quality of sannke parts are assured by **KEYENCE** and **Mitutoyo**'s inspection machine .

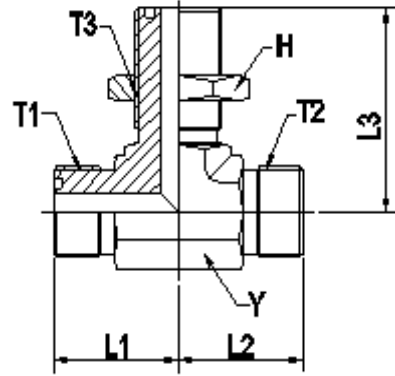
Sannke®



Fitting & Adapters

FS2703-LN SERIES(TEE)
 (1) & (2) MALE ORFS
 (3) BULKHEAD ORFS

SAE# 520959



PART NUMBER	T1.T2(UNF/UN-2A)	T3(UNF/UN-2A)	L1(L2)	L3	Y(INCH)	H(INCH)
FS2703-04-04-04	9/16-18	9/16-18	22.6	47	9/16	13/16
FS2703-06-06-06	11/16-16	11/16-16	26.0	52	3/4	1
FS2703-08-08-08	13/16-16	13/16-16	29.0	55.4	3/4	1-1/8
FS2703-10-10-10	1-14	1-14	34.5	63	1-1/16	1-5/16
FS2703-12-12-12	1-3/16-12	1-3/16-12	38.5	67.2	1-3/16	1-1/2
FS2703-16-16-16	1-7/16-12	1-7/16-12	42.4	71.1	1-7/16	1-3/4
FS2703-20-20-20	1-11/16-12	1-11/16-12	45.5	75.4	1-5/8	2
FS2703-24-24-24	2-12	2-12	49.5	79.5	1-7/8	2-3/8

the process quality of sannke parts are assured by **KEYENCE** and **Mitutoyo** 's inspection machine .

Sannke®



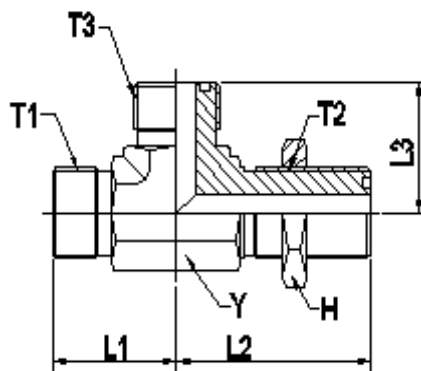
Fitting & Adapters

FS2704-LN SERIES(TEE)

(1)&(3) MALE ORFS

(2) BULKHEAD ORFS

SAE# 520958



PART NUMBER	T1.T3(UNF/UN-2A)	T2(UNF/UN-2A)	L1(L3)	L2	Y(INCH)	H(INCH)
FS2704--LN-04-04-04	9/16-18	9/16-18	22.6	47	9/16	13/16
FS2704--LN-06-06-06	11/16-16	11/16-16	26.0	52	3/4	1
FS2704--LN-08-08-08	13/16-16	13/16-16	29.0	55.4	3/4	1-1/8
FS2704--LN-10-10-10	1-14	1-14	34.5	63	1-1/16	1-5/16
FS2704--LN-12-12-12	1-3/16-12	1-3/16-12	38.5	67.2	1-3/16	1-1/2
FS2704--LN-16-16-16	1-7/16-12	1-7/16-12	42.4	71.1	1-7/16	1-3/4
FS2704--LN-20-20-20	1-11/16-12	1-11/16-12	45.5	75.4	1-5/8	2
FS2704--LN-24-24-24	2-12	2-12	49.5	79.5	1-7/8	2-3/8

the process quality of sannke parts are assured by **KEYENCE** and **Mitutoyo** 's inspection machine .

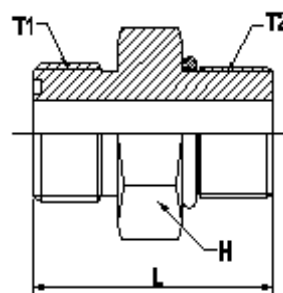
Sannke[®]



Fitting & Adapters

FS6400 SERIES
 (1) MALE ORFS
 (2) MALE O-RING

SAE# 520120



PART NUMBER	T1(UNF/UN-2A)	T2(UNF/UN-2A)	L	H(INCH)
FS6400-04-04-O	9/16-18	7/16-20	28.8	5/8
FS6400-04-05-O	9/16-18	1/2-20	28.7	5/8
FS6400-04-06-O	9/16-18	9/16-18	30.5	3/4
FS6400-04-08-O	9/16-18	3/4-16	33.7	7/8
FS6400-06-04-O	11/16-16	7/16-20	34.1	3/4
FS6400-06-05-O	11/16-16	1/2-20	30.8	3/4
FS6400-06-06-O	11/16-16	9/16-18	31.8	3/4
FS6400-06-08-O	11/16-16	3/4-16	35.1	7/8
FS6400-06-10-O	11/16-16	7/8-14	38.8	1
FS6400-06-12-O	11/16-16	1-1/16-12	42.8	1-1/4
FS6400-08-04-O	13/16-16	7/16-20	36.4	7/8
FS6400-08-06-O	13/16-16	9/16-18	37.4	7/8
FS6400-08-08-O	13/16-16	3/4-16	36.6	7/8
FS6400-08-10-O	13/16-16	7/8-14	40.5	1
FS6400-08-12-O	13/16-16	1-1/16-12	44.5	1-1/4
FS6400-08-16-O	13/16-16	1-5/16-12	45.6	1-1/2
FS6400-10-08-O	1-14	3/4-16	45.2	1-1/16
FS6400-10-10-O	1-14	7/8-14	43.1	1-1/16
FS6400-10-12-O	1-14	1-1/16-12	47.2	1-1/4
FS6400-12-08-O	1-3/16-12	3/4-16	48.5	1-1/4
FS6400-12-10-O	1-3/16-12	7/8-14	50.6	1-1/4
FS6400-12-12-O	1-3/16-12	1-1/16-12	48.7	1-1/4
FS6400-12-16-O	1-3/16-12	1-5/16-12	49.7	1-1/2
FS6400-16-12-O	1-7/16-12	1-1/16-12	54.3	1-1/2
FS6400-16-16-O	1-7/16-12	1-5/16-12	50.3	1-1/2
FS6400-16-20-O	1-7/16-12	1-5/8-12	52.3	1-7/8
FS6400-20-16-O	1-11/16-12	1-5/16-12	57.9	1-3/4
FS6400-20-20-O	1-11/16-12	1-5/8-12	52.3	1-7/8
FS6400-20-24-O	1-11/16-12	1-7/8-12	54.0	2-1/8
FS6400-24-20-O	2-12	1-5/8-12	54.0	2-1/8
FS6400-24-24-O	2-12	1-7/8-12	54.0	2-1/8

the process quality of sannke parts are assured by **KEYENCE** and **Mitutoyo** 's inspection machine .

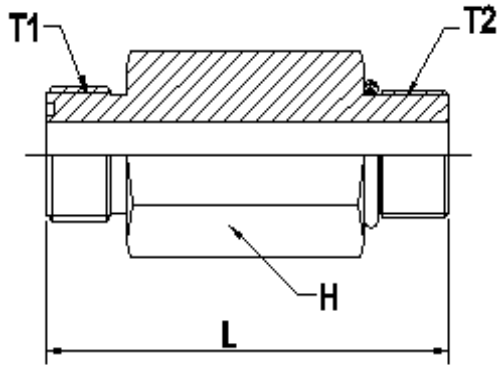
Sannke[®]



Fitting & Adapters

FS6400-L SERIES
 (1) MALE ORFS
 (2) MALE O-RING

SAE#



PART NUMBER	T1(UNF/UN-2A)	T2(UNF/UN-2A)	L	H(INCH)
FS6400-L-04-04-O	9/16-18	7/16-20	52.7	5/8
FS6400-L-06-06-O	11/16-16	9/16-18	57.7	3/4
FS6400-L-08-08-O	13/16-16	3/4-16	67.9	7/8
FS6400-L-10-10-O	1-14	7/8-14	79.5	1-1/16
FS6400-L-12-12-O	1-3/16-12	1-1/16-12	95.5	1-1/4
FS6400-L-16-16-O	1-7/16-12	1-5/16-12	105.1	1-1/2
FS6400-L-20-20-O	1-11/16-12	1-5/8-12	120.85	1-7/8

the process quality of sannke parts are assured by **KEYENCE** and **Mitutoyo**'s inspection machine .

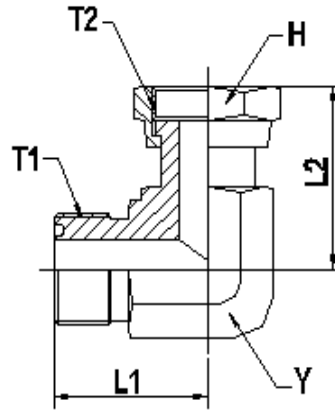
Sannke®



Fitting & Adapters

FS6500 SERIES(90° ELBOW)
 (1) MALE ORFS
 (2) ORFS FEMALE SWIVEL

SAE# 520221



PART NUMBER	T1(UNF/UN-2A)	T2(UNF/UN-2B)	L1	L2	Y(INCH)	H(INCH)
FS6500-04-04	9/16-18	9/16-18	21.5	34.6	9/16	11/16
FS6500-06-06	11/16-16	11/16-16	24.9	38.7	3/4	13/16
FS6500-08-08	13/16-16	13/16-16	27.9	49.0	3/4	15/16
FS6500-10-10	1-14	1-14	33.3	54.3	1-1/16	1-1/8
FS6500-12-12	1-3/16-12	1-3/16-12	37.3	60.8	1-3/16	1-3/8
FS6500-16-16	1-7/16-12	1-7/16-12	41.7	68.2	1-7/16	1-5/8
FS6500-20-20	1-11/16-12	1-11/16-12	44.7	72.8	1-5/8	1-7/8
FS6500-24-24	2-12	2-12	48.8	76.1	1-7/8	2-1/4

the process quality of sannke parts are assured by **KEYENCE** and **Mitutoyo** 's inspection machine .

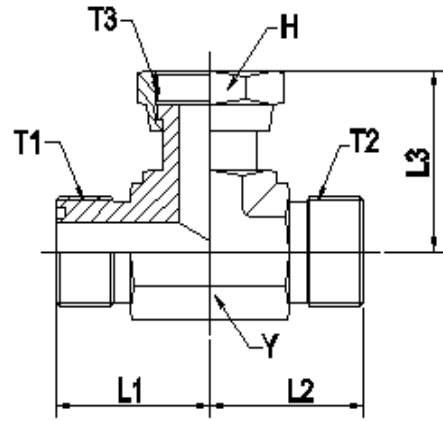
Sannke[®]



Fitting & Adapters

FS6600 SERIES(TEE)
 (1)&(2) MALE ORFS
 (3) ORFS FEMALE SWIVEL

SAE# 520433



PART NUMBER	T1.T2(UNF/UN-2A)	T3(UNF/UN-2B)	L1(L2)	L3	Y(INCH)	H(INCH)
FS6600-04-04-04	9/16-18	9/16-18	21.6	34.6	9/16	11/16
FS6600-06-06-06	11/16-16	11/16-16	25.0	38.07	3/4	13/16
FS6600-08-08-08	13/16-16	13/16-16	29.0	49.0	3/4	15/16
FS6600-10-10-10	1-14	1-14	33.3	54.3	1-1/16	1-1/8
FS6600-12-12-12	1-3/16-12	1-3/16-12	37.3	60.8	1-3/16	1-3/8
FS6600-16-16-16	1-7/16-12	1-7/16-12	41.7	68.2	1-7/16	1-5/8
FS6600-20-20-20	1-11/16-12	1-11/16-12	44.7	72.8	1-5/8	1-7/8
FS6600-24-24-24	2-12	2-12	48.8	76.1	1-7/8	2-1/4

the process quality of sannke parts are assured by **KEYENCE** and **Mitutoyo**'s inspection machine.

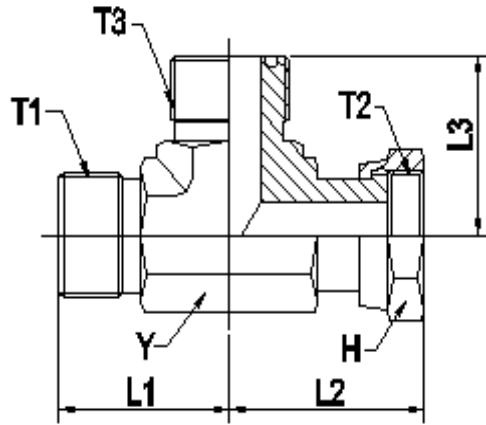
Sannke[®]



Fitting & Adapters

FS6602 SERIES(TEE)
 (1)&(3) MALE ORFS
 (2) ORFS FEMALE SWIVEL

SAE# 520432



PART NUMBER	T1.T3(UNF/UN-2A)	T2(UNF/UN-2B)	L1(L3)	L2	Y(INCH)	H(INCH)
FS6602-04-04-04	9/16-18	9/16-18	21.6	34.6	9/16	11/16
FS6602-06-06-06	11/16-16	11/16-16	24.9	38.7	3/4	13/16
FS6602-08-08-08	13/16-16	13/16-16	27.9	49.0	3/4	15/16
FS6602-10-10-10	1-14	1-14	33.3	54.3	1-1/16	1-1/8
FS6602-12-12-12	1-3/16-12	1-3/16-12	37.3	60.8	1-3/16	1-3/8
FS6602-16-16-16	1-7/16-12	1-7/16-12	41.7	68.2	1-7/16	1-5/8
FS6602-20-20-20	1-11/16-12	1-11/16-12	44.7	72.8	1-5/8	1-7/8
FS6602-24-24-24	2-12	2-12	48.8	76.1	1-7/8	2-1/4

the process quality of sannke parts are assured by **KEYENCE** and **Mitutoyo** 's inspection machine .

Sannke[®]



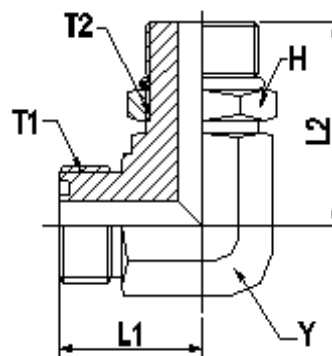
Fitting & Adapters

FS6801 SERIES(90° ELBOW)

(1) MALE ORFS

(2) ADJUSTABLE O-RING

SAE# 520220



PART NUMBER	T1(UNF/UN-2A)	T2(UNF/UN-2A)	L1	L2	Y(INCH)	H(INCH)
FS6801-04-04-NWO	9/16-18	7/16-20	21.6	32.8	9/16	5/8
FS6801-04-06-NWO	9/16-18	9/16-18	23.4	36.8	3/4	3/4
FS6801-04-08-NWO	9/16-18	3/4-16	24.6	40.6	3/4	15/16
FS6801-06-04-NWO	11/16-16	7/16-20	25.0	34.8	3/4	5/8
FS6801-06-06-NWO	11/16-16	9/16-18	24.9	36.8	3/4	3/4
FS6801-06-08-NWO	11/16-16	3/4-16	26.4	40.6	3/4	15/16
FS6801-06-10-NWO	11/16-16	7/8-14	29.2	50.0	1-1/16	1-1/16
FS6801-06-12-NWO	11/16-16	1-1/16-12	31.8	55.1	1-3/16	1-3/8
FS6801-06-16-NWO	11/16-16	1-5/16-12	35.6	59.7	1-7/16	1-5/8
FS6801-08-06-NWO	13/16-16	9/16-18	28.0	36.6	3/4	3/4
FS6801-08-08-NWO	13/16-16	3/4-16	28.0	40.6	3/4	15/16
FS6801-08-10-NWO	13/16-16	7/8-14	30.7	50.0	1-1/16	1-1/16
FS6801-08-12-NWO	13/16-16	1-1/16-12	33.5	55.1	1-3/16	1-3/8
FS6801-10-08-NWO	1-14	3/4-16	33.3	45.7	1-1/16	15/16
FS6801-10-10-NWO	1-14	7/8-14	33.3	50.0	1-1/16	1-1/16
FS6801-10-12-NWO	1-14	1-1/16-12	37.3	55.1	1-3/16	1-3/8
FS6801-12-08-NWO	1-3/16-12	3/4-16	37.3	46.7	1-3/16	15/16
FS6801-12-10-NWO	1-3/16-12	7/8-14	37.3	51.1	1-3/16	1-1/16
FS6801-12-12-NWO	1-3/16-12	1-1/16-12	41.2	55.1	1-3/16	1-3/8
FS6801-12-16-NWO	1-3/16-12	1-5/16-12	41.7	59.7	1-7/16	1-5/8
FS6801-16-12-NWO	1-7/16-12	1-1/16-12	41.7	58.9	1-7/16	1-3/8
FS6801-16-14-NWO	1-7/16-12	1-3/16-12	41.7	58.9	1-7/16	1-1/2
FS6801-16-16-NWO	1-7/16-12	1-5/16-12	41.7	59.7	1-7/16	1-5/8
FS6801-16-20-NWO	1-7/16-12	1-5/8-12	41.7	62.2	1-5/8	1-7/8
FS6801-20-16-NWO	1-11/16-12	1-5/16-12	41.7	62.2	1-5/8	1-5/8
FS6801-20-20-NWO	1-11/16-12	1-5/8-12	41.7	62.2	1-5/8	1-7/8
FS6801-20-24-NWO	1-11/16-12	1-7/8-12	48.8	65.8	1-7/8	2-1/8
FS6801-24-20-NWO	2-12	1-5/8-12	48.8	65.8	1-7/8	1-7/8
FS6801-24-24-NWO	2-12	1-7/8-12	48.8	65.8	1-7/8	2-1/8

the process quality of sannke parts are assured by **KEYENCE** and **Mitutoyo**'s inspection machine.

Sannke®



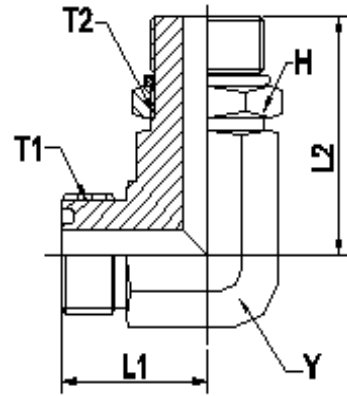
Fitting & Adapters

FS6801-L SERIES(90° ELBOW)

(1) MALE ORFS

(2) ADJUSTABLE O-RING

SAE#



PART NUMBER	T1.(UNF/UN-2A)	T2(UNF/UN-2A)	L1	L2	Y(INCH)	H(INCH)
FS6801-L-04-04-NWO	9/16-18	7/16-20	21.6	56.6	9/16	5/8
FS6801-L-06-06-NWO	11/16-16	9/16-18	25.0	66.3	3/4	3/4
FS6801-L-08-08-NWO	13/16-16	3/4-16	27.9	74.9	3/4	15/16
FS6801-L-10-10-NWO	1-14	7/8-14	33.3	89.2	1-1/16	1-1/16
FS6801-L-12-12-NWO	1-3/16-12	1-1/16-12	37.3	100.84	1-3/16	1-3/8
FS6801-L-16-16-NWO	1-7/16-12	1-5/16-12	41.7	114.6	1-5/16	1-5/8

the process quality of sannke parts are assured by **KEYENCE** and **Mitutoyo** 's inspection machine .

Sannke®



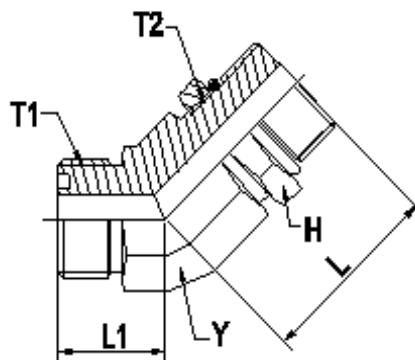
Fitting & Adapters

FS6802 SERIES(45° ELBOW)

(1) MALE ORFS

(2) ADJUSTABLE O-RING

SAE# 520320



PART NUMBER	T1.(UNF/UN-2A)	T2(UNF/UN-2A)	L1	L2	Y(INCH)	H(INCH)
FS6802-04-03-NWO	9/16-18	3/8-24	16.0	27.4	9/16	9/16
FS6802-04-04-NWO	9/16-18	7/16-20	16.0	30.0	9/16	5/8
FS6802-04-06-NWO	9/16-18	9/16-18	17.3	33.0	3/4	3/4
FS6802-06-04-NWO	11/16-16	7/16-20	18.8	31.0	3/4	5/8
FS6802-06-06-NWO	11/16-16	9/16-18	18.8	33.0	3/4	3/4
FS6802-06-08-NWO	11/16-16	3/4-16	18.8	36.3	3/4	15/16
FS6802-08-06-NWO	13/16-16	9/16-18	20.3	32.3	3/4	3/4
FS6802-08-08-NWO	13/16-16	3/4-16	20.3	36.3	3/4	15/16
FS6802-08-10-NWO	13/16-16	7/8-14	20.8	44.7	1-1/16	1-1/16
FS6802-10-08-NWO	1-14	3/4-16	23.4	40.4	1-1/16	15/16
FS6802-10-10-NWO	1-14	7/8-14	23.4	44.7	1-1/16	1-1/16
FS6802-10-12-NWO	1-14	1-1/16-12	24.4	50.0	1-3/16	1-3/8
FS6802-12-10-NWO	1-3/16-12	7/8-14	25.9	46.0	1-3/16	1-1/16
FS6802-12-12-NWO	1-3/16-12	1-1/16-12	25.9	50.0	1-3/16	1-3/8
FS6802-12-16-NWO	1-3/16-12	1-5/16-12	29.5	52.3	1-7/16	1-5/8
FS6802-16-12-NWO	1-7/16-12	1-1/16-12	30.0	51.8	1-7/16	1-3/8
FS6802-16-16-NWO	1-7/16-12	1-5/16-12	30.0	52.3	1-7/16	1-5/8
FS6802-16-20-NWO	1-7/16-12	1-5/8-12	32.0	53.6	1--5/8	1-7/8
FS6802-20-20-NWO	1-11/16-12	1-5/8-12	32.0	53.6	1--5/8	1-7/8
FS6802-24-24-NWO	2-12	1-7/8-12	36.8	53.6	1--7/8	2-1/8

the process quality of sannke parts are assured by **KEYENCE** and **Mitutoyo**'s inspection machine .

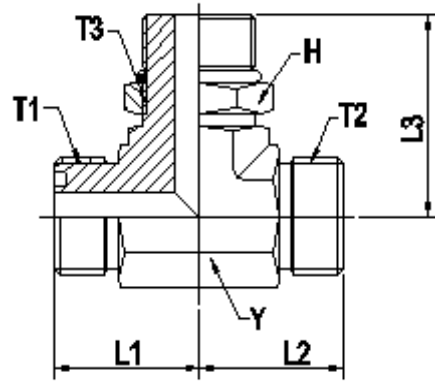
Sannke®



Fitting & Adapters

FS6803 SERIES(TEE)
 (1)&(2) MALE ORFS
 (3) ADJUSTABLE O-RING

SAE# 520429



PART NUMBER	T1.T2(UNF/UN-2A)	T3(UNF/UN-2A)	L1(L2)	L3	Y(INCH)	H(INCH)
FS6803-04-04-04-NWO	9/16-18	7/16-20	21.6	32.8	9/16	5/8
FS6803-06-06-06-NWO	11/16-16	9/16-18	24.9	36.8	3/4	3/4
FS6803-08-08-08-NWO	13/16-16	3/4-16	28.0	40.6	3/4	15/16
FS6803-10-10-10-NWO	1-14	7/8-14	33.3	50.0	1-1/16	1-1/16
FS6803-12-12-12-NWO	1-3/16-12	1-1/16-12	37.3	55.1	1-3/16	1-3/8
FS6803-16-16-16-NWO	1-7/16-12	1-5/16-12	41.7	59.7	1-7/16	1-5/8
FS6803-20-20-20-NWO	1-11/16-12	1-5/8-12	48.8	65.8	1-5/8	1-7/8

the process quality of sannke parts are assured by **KEYENCE** and **Mitutoyo**'s inspection machine .

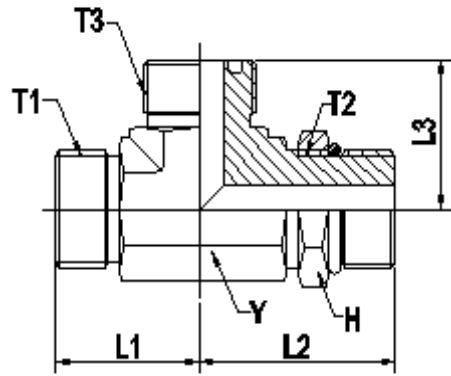
Sannke[®]



Fitting & Adapters

FS6804 SERIES(TEE)
 (1)&(3) MALE ORFS
 (2) ADJUSTABLE O-RING

SAE# 520428



PART NUMBER	T1.T3(UNF/UN-2A)	T2(UNF/UN-2A)	L1(L3)	L2	Y(INCH)	H(INCH)
FS6804-04-04-04-NWO	9/16-18	7/16-20	21.6	32.8	9/16	5/8
FS6804-06-06-06-NWO	11/16-16	9/16-18	24.9	36.8	3/4	3/4
FS6804-08-08-08-NWO	13/16-16	3/4-16	27.9	40.6	3/4	15/16
FS6804-10-10-10-NWO	1-14	7/8-14	33.3	50.0	1-1/16	1-1/16
FS6804-12-12-12-NWO	1-3/16-12	1-1/16-12	37.3	55.1	1-3/16	1-3/8
FS6804-16-16-16-NWO	1-7/16-12	1-5/16-12	41.7	59.7	1-7/16	1-5/8
FS6804-24-24-24-NWO	2-12	1-7/8-12	48.8	65.8	1-7/8	2-1/8

the process quality of sannke parts are assured by **KEYENCE** and **Mitutoyo**'s inspection machine .

Sannke[®]



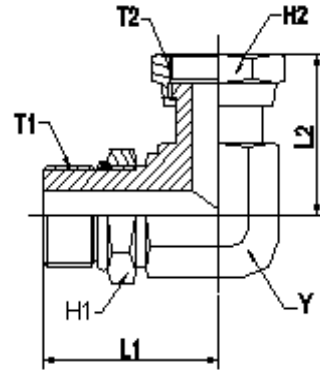
Fitting & Adapters

FS6809 SERIES(90° ELBOW)

(1) ADJUSTABLE O-RING

(2) ORFS FEMALE SWIVEL

SAE# 520281



PART NUMBER	T1(UNF/UN-2A)	T1(UNF/UN-2B)	L1	L2	Y(INCH)	H1(INCH)	H2(INCH)
FS6809-04-04-NWO	7/16-20	9/16-18	32.8	35.6	9/16	5/8	11/16
FS6809-06-06-NWO	9/16-18	11/16-16	36.8	38.6	3/4	3/4	13/16
FS6809-08-08-NWO	3/4-16	13/16-16	40.6	49.2	3/4	15/16	15/16
FS6809-10-10-NWO	7/8-14	1-14	50.0	54.3	1-1/16	1-1/16	1-1/8
FS6809-12-12-NWO	1-1/1-12	1-3/16-12	55.1	60.7	1-3/16	1-3/8	1-3/8
FS6809-16-16-NWO	1-5/16-12	1-7/16-12	59.7	68.2	1-7/16	1-5/8	1-5/8

the process quality of sannke parts are assured by **KEYENCE** and **Mitutoyo**'s inspection machine .

Sannke®



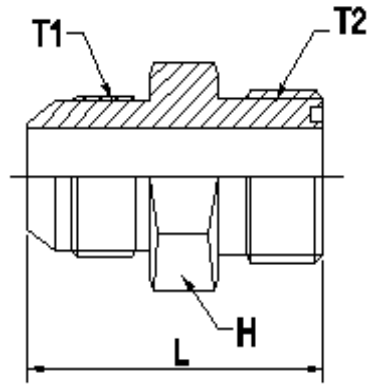
Fitting & Adapters

FS-MJIC2403 SERIES(STRAIGHT UNION)

(1) 37° MALE TUBE

(2) MALE ORFS

SAE#



PART NUMBER	T1(UNF/UN-2A)	T2(UNF/UN-2A)	L	H(INCH)
FS-MJIC2403-04-04	9/16-18	7/16-20	31.7	5/8
FS-MJIC2403-06-06	11/16-16	9/16-18	34.0	3/4
FS-MJIC2403-08-08	13/16-16	3/4-16	39.4	7/8
FS-MJIC2403-10-10	1-14	7/8-14	46.5	1-1/16
FS-MJIC2403-12-12	1-3/16-12	1-1/16-12	52.1	1-1/4
FS-MJIC2403-16-16	1-7/16-12	1-5/16-12	54.9	1-1/2
FS-MJIC2403-20-20	1-11/16-12	1-5/8-12	58.1	1-3/4
FS-MJIC2403-20-21	2-12	1-7/8-12	63.1	2-1/8

the process quality of sannke parts are assured by **KEYENCE** and **Mitutoyo**'s inspection machine .

Sannke®



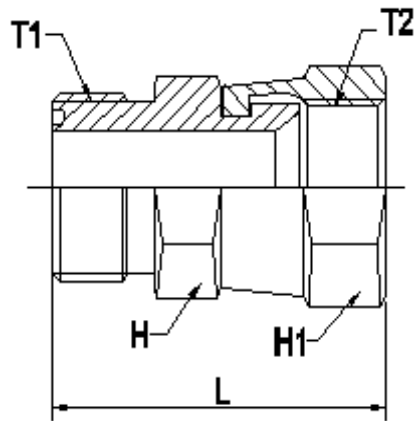
Fitting & Adapters

FS-FJIC6504 SERIES(STRAIGHT UNION)

(1) ORFS FEMALE SWIVEL

(2) 37° FEMALE SWIVEL

SAE#



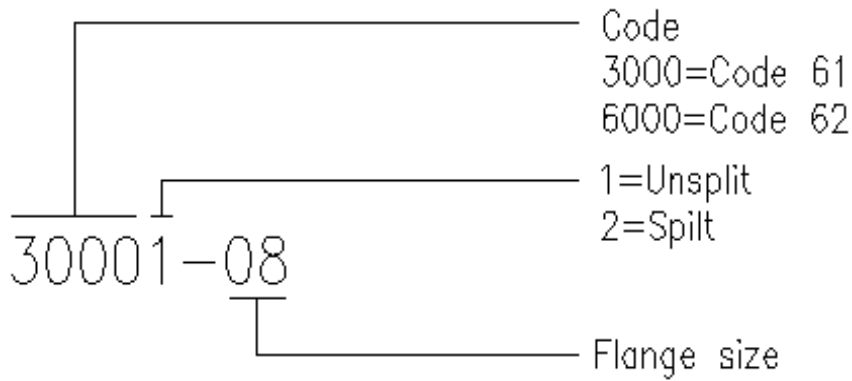
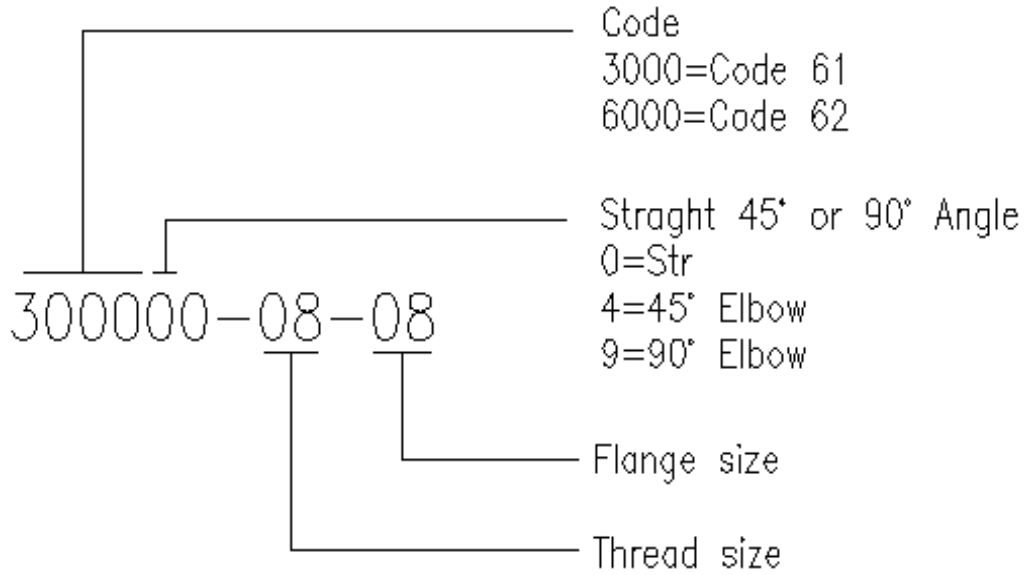
PART NUMBER	T1(UNF/UN-2A)	T2(UNF/UN-2B)	L	H(INCH)	H1(INCH)
FS-FJIC6504-04-04	9/16-18	7/16-20	34.5	5/8	9/16
FS-FJIC6504-06-06	11/16-16	9/16-18	39.3	3/4	11/16
FS-FJIC6504-08-08	13/16-16	3/4-16	44.5	7/8	7/8
FS-FJIC6504-10-10	1-14	7/8-14	51.8	1-1/16	1
FS-FJIC6504-12-12	1-3/16-12	1-1/16-12	57.8	1-1/4	1-1/4
FS-FJIC6504-16-16	1-7/16-12	1-5/16-12	61.7	1-1/2	1-1/2
FS-FJIC6504-20-20	1-11/16-12	1-5/8-12	68.0	1-3/4	2
FS-FJIC6504-24-24	2-12	1-7/8-12	78.1	2-1/8	2-1/4

the process quality of sannke parts are assured by **KEYENCE** and **Mitutoyo**'s inspection machine.

Sannke[®]

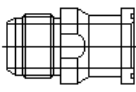
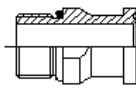
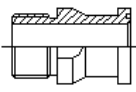
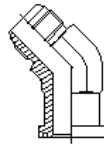
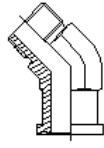
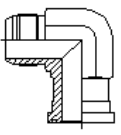
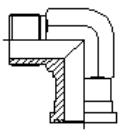
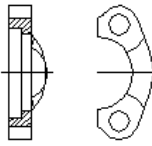
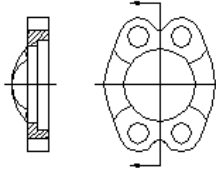
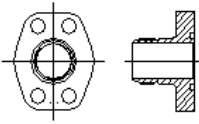
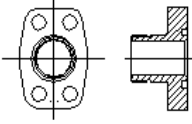
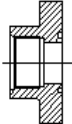
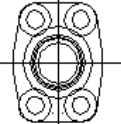

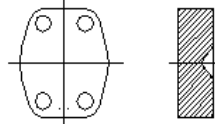
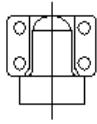
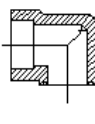
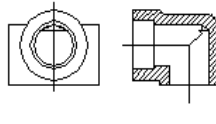
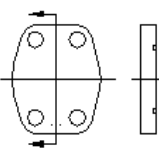
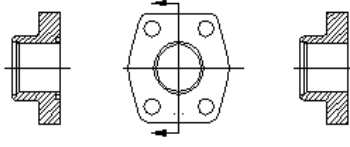
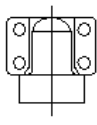
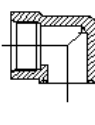
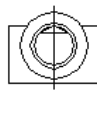
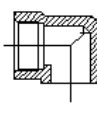
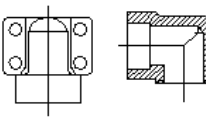
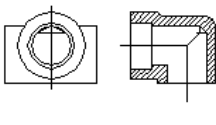


FLANGE WDEX



the process quality of sannke parts are assureded by **KEYENCE** and **Mitutoyo** 's inspection machine .

SAE FLANGE

 300000 600000 P192	 300001 600001 P193	 300002 600002 P194	 300040 600040 P195	 300042 600042 P196	
 300090 600090 P197	 300092 600092 P198	 300002 600002 P199	 300001 600001 P200	 F300000 F600000 P201	
 F300002 F600002 P202	 W46 W106	 W48 W49 P203	 W36 W37	 W38 W39 P204	
 W186 W189	 W182 W187	 P205	 SP SPX P206	 W27 W25 P207	
 W164 W165	 W168 W170	 W184 W185	 W188 W180 P208	 W176 W169	 W172 W177 P210

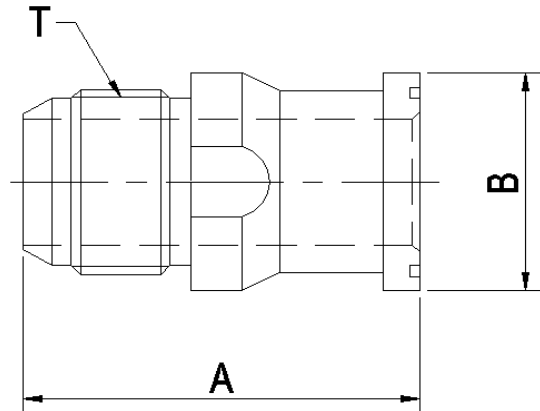
the process quality of sannke parts are assured by **KEYENCE** and **Mitutoyo**'s inspection machine.

Sannke[®]

TÜVRheinland[®]
ISO9001:2015

FLANGE

300000
600000



PART NUMBER	TUBE O.D.	FLANGE SIZE	A	B	T
CODE 61					
300000-08-08	1/2	1/2	66.0	30.18	3/4-16
300000-08-12	3/4	3/4	69.9	38.1	3/4-16
300000-12-12	3/4	3/4	69.9	38.1	1-1/16-12
300000-16-12	3/4	3/4	69.9	38.1	1-5/16-12
300000-12-16	1	1	71.1	44.45	1-1/16-12
300000-16-16	1	1	71.1	44.45	1-5/16-12
300000-20-16	1	1	71.1	44.45	1-5/8-12
300000-16-20	1-1/4	1-1/4	71.1	50.8	1-5/16-12
300000-20-20	1-1/4	1-1/4	71.1	50.8	1-5/8-12
300000-24-20	1-1/4	1-1/4	86.4	50.8	1-7/8-12
300000-20-24	1-1/2	1-1/2	85.7	60.33	1-5/8-12
300000-24-24	1-1/2	1-1/2	88.9	60.33	1-7/8-12
300000-32-24	1-1/2	1-1/2	106.7	60.33	2-1/2-12
300000-24-32	2	2	94.6	71.42	1-7/8-12
300000-32-32	2	2	101	71.42	2-1/2-12
CODE 62					
600000-08-08	1/2	1/2	66.2	31.75	3/4-16
600000-12-12	3/4	3/4	69.9	41.28	1-1/16-12
600000-16-12	3/4	3/4	69.9	41.28	1-5/16-12
600000-12-16	1	1	71.1	47.63	1-1/16-12
600000-16-16	1	1	71.1	47.63	1-5/16-12
600000-20-16	1	1	71.1	47.63	1-5/8-12
600000-16-20	1-1/4	1-1/4	77.5	53.98	1-5/16-12
600000-20-20	1-1/4	1-1/4	77.5	53.98	1-5/8-12
600000-24-20	1-1/4	1-1/4	83.8	53.98	1-7/8-12
600000-20-24	1-1/2	1-1/2	88.9	63.5	1-5/8-12
600000-24-24	1-1/2	1-1/2	88.9	63.5	1-7/8-12
600000-32-24	1-1/2	1-1/2	125.5	63.5	2-1/2-12
600000-24-32	2	2	101	79.38	1-7/8-12
600000-32-32	2	2	107.3	79.38	2-1/2-12

the process quality of sannke parts are assured by **KEYENCE** and **Mitutoyo** 's inspection machine .

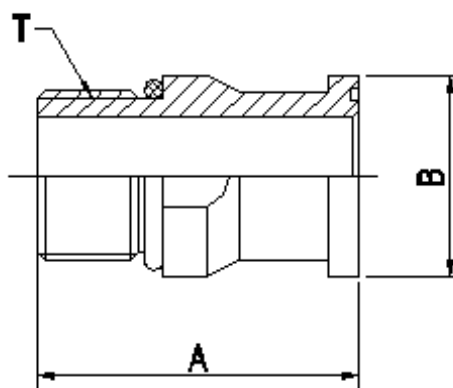
Sannke[®]



FLANGE

300001

600001



PART NUMBER	TUBE O.D.	FLANGE SIZE	A	B	T
CODE 61					
300001-08-08	1/2	1/2	63.3	31.18	3/4-16
300001-12-12	3/4	3/4	66.3	38.1	1-1/16-12
300001-16-12	1	3/4	73.2	38.1	1-5/16-12
300001-12-16	3/4	1	69.7	44.45	1-1/16-12
300001-16-16	1	1	66.3	44.45	1-5/16-12
300001-20-16	1-1/4	1	79.5	44.45	1-5/8-12
300001-16-20	1	1-1/4	69.6	50.8	1-5/16-12
300001-20-20	1-1/4	1-1/4	79.5	50.8	1-5/8-12
300001-24-20	1-1/2	1-1/4	87.2	50.8	1-7/8-12
300001-20-24	1-1/4	1-1/2	83.9	60.33	1-5/8-12
300001-24-24	1-1/2	1-1/2	79.8	60.33	1-7/8-12
300001-32-24	2	1-1/2	92.2	60.33	2-1/2-12
300001-24-32	1-1/2	2	96.3	71.42	1-7/8-12
300001-32-32	2	2	92.2	71.42	2-1/2-12
CODE 62					
600001-08-08	1/2	1/2	63.5	31.75	3/4-16
600001-12-12	3/4	3/4	66.6	41.28	1-1/16-12
600001-16-12	1	3/4	73.2	41.28	1-5/16-12
600001-12-16	3/4	1	69.9	47.63	1-1/16-12
600001-16-16	1	1	66.6	47.63	1-5/16-12
600001-20-16	1-1/4	1	87.4	47.63	1-5/8-12
600001-16-20	1	1-1/4	79.3	53.98	1-5/16-12
600001-20-20	1-1/4	1-1/4	76.2	53.98	1-5/8-12
600001-24-20	1-1/2	1-1/4	87.4	53.98	1-7/8-12
600001-20-24	1-1/4	1-1/2	84.1	63.5	1-5/8-12
600001-24-24	1-1/2	1-1/2	81	63.5	1-7/8-12
600001-32-24	2	1-1/2	110.2	63.5	2-1/2-12
600000-24-32	1-1/2	2	99.1	79.38	1-7/8-12
600000-32-32	2	2	95.3	79.38	2-1/2-12

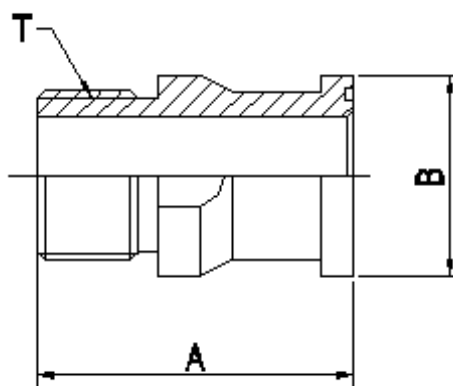
the process quality of sannke parts are assured by **KEYENCE** and **Mitutoyo** 's inspection machine .

Sannke[®]



FLANGE

300002
600002



PART NUMBER	TUBE O.D.	FLANGE SIZE	A	B	T
CODE 61					
300002-08-08	1/2	1/2	62.2	30.18	13/16-16
300002-12-12	3/4	3/4	69.9	38.1	1-3/16-12
300002-16-12	1	3/4	69.9	38.1	1-7/16-12
300002-12-16	3/4	1	71.1	44.45	1-3/16-12
300002-16-16	1	1	71.1	44.45	1-7/16-12
300002-20-16	1-1/4	1	71.1	44.45	1-11/16-12
300002-16-20	1	1-1/4	71.1	50.8	1-7/16-12
300002-20-20	1-1/4	1-1/4	71.1	50.8	1-11/16-12
300002-24-20	1-1/2	1-1/4	81.3	50.8	2-12
300002-20-24	1-1/4	1-1/2	88.9	60.33	1-11/16-12
300002-24-24	1-1/2	1-1/2	88.9	60.33	2-12
300002-24-32	1-1/2	2	84.6	71.43	2-12
CODE 62					
600002-08-08	1/2	1/2	65.5	31.75	1-3/16-12
600002-12-12	3/4	3/4	69.9	41.28	1-3/16-12
600002-16-12	1	3/4	69.9	41.28	1-7/16-12
600002-12-16	3/4	1	71.1	47.63	1-3/16-12
600002-16-16	1	1	71.1	47.63	1-7/16-12
600002-20-16	1-1/4	1	81.3	47.63	1-11/16-12
600002-16-20	1	1-1/4	77.5	53.98	1-7/16-12
600002-20-20	1-1/4	1-1/4	77.5	53.98	1-11/16-12
600002-24-20	1-1/2	1-1/4	83.8	53.98	2-12
600002-20-24	1-1/4	1-1/2	88.9	63.5	1-11/16-12
600002-24-24	1-1/2	1-1/2	88.9	63.5	2-12
600002-24-32	1-1/2	2	91	79.38	2-12

the process quality of sannke parts are assured by **KEYENCE** and **Mitutoyo**'s inspection machine .

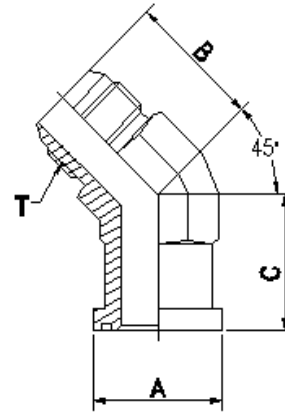
Sannke[®]



FLANGE

300040

600040



PART NUMBER	TUBE O.D.	FLANGE SIZE	A	B	C	T
CODE 61						
300040-12-12	3/4	3/4	38.1	32.5	40.1	1-1/16-12
300040-16-16	1	1	44.45	37.3	47	1-5/16-12
300040-20-20	1-1/4	1-1/4	50.8	40.4	51.8	1-5/8-12
300040-24-24	1-1/2	1-1/2	60.33	45.2	60.5	1-7/8-12
300040-32-32	2	2	71.43	56.4	76.2	2-1/2-12
CODE 62						
600040-12-12	3/4	3/4	41.28	32.5	40.1	1-1/16-12
600040-16-16	1	1	47.63	37.3	47	1-5/16-12
600040-20-20	1-1/4	1-1/4	53.98	40.4	51.8	1-5/8-12
600040-24-24	1-1/2	1-1/2	63.5	45.2	60.5	1-7/8-12
600040-32-32	2	2	79.38	56.4	76.2	1-1/2-12

the process quality of sannke parts are assured by **KEYENCE** and **Mitutoyo** 's inspection machine .

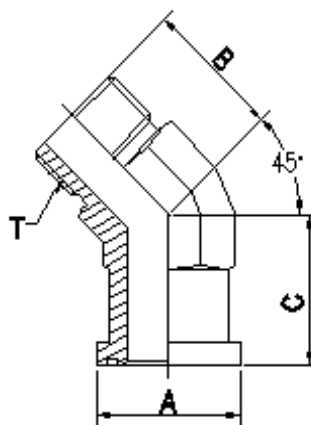
Sannke[®]



FLANGE

300042

600042



PART NUMBER	TUBE O.D.	FLANGE SIZE	A	B	C	T
CODE 61						
300042-12-12	3/4	3/4	38.1	32.5	40.1	1-3/16-12
300042-16-16	1	1	44.45	37.3	47	1-7/16-12
300002-20-20	1-1/4	1-1/4	50.8	40.4	51.8	1-11/16-12
300002-24-24	1-1/2	1-1/2	60.33	45.2	60.5	2-12
CODE 62						
600042-12-12	3/4	3/4	41.28	32.5	40.1	1-3/16-12
600042-16-16	1	1	47.63	37.3	47	1-7/16-12
600042-20-20	1-1/4	1-1/4	53.98	40.4	51.8	1-11/16-12
600042-24-24	1-1/2	1-1/2	63.5	45.2	60.5	2-12

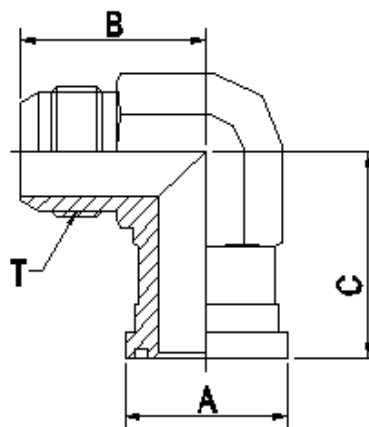
the process quality of sannke parts are assured by **KEYENCE** and **Mitutoyo** 's inspection machine .

Sannke[®]



FLANGE

300090
600090



PART NUMBER	TUBE O.D.	FLANGE SIZE	A	B	C	T
CODE 61						
300090-08-08	1/2	3/4	30.18	42.2	54.1	3/4-16
300090-12-12	3/4	3/4	38.1	42.2	54.1	1-1/16-12
300090-16-12	1	3/4	38.1	42.2	54.1	1-5/16-12
300090-12-16	3/4	1	44.45	46	60.2	1-1/16-12
300090-16-16	1	1	44.45	46	60.2	1-5/16-12
300090-20-16	1-1/4	1	44.45	46	60.2	1-5/8-12
300090-16-20	1	1-1/4	50.8	52.3	66.6	1-5/16-12
300090-20-20	1-1/4	1-1/4	50.8	52.3	66.6	1-5/8-12
300090-20-24	1-1/4	1-1/2	60.33	59.2	80	1-5/8-12
300090-24-24	1-1/2	1-1/2	60.33	59.2	80	1-7/8-12
300090-32-24	2	1-1/2	60.33	59.2	80	2-1/2-12
300090-24-32	1-1/2	2	71.43	77.7	108	1-7/8-12
300090-32-32	2	2	71.43	77.7	108	2-1/2-12
CODE 62						
600090-08-08	1/2	1/2	31.75	42.2	54.1	3/4-16
600090-08-12	1/2	3/4	41.28	42.2	54.1	3/4-16
600090-12-12	3/4	3/4	41.28	42.2	54.1	1-1/16-12
600090-16-12	1	3/4	41.28	42.2	54.1	1-5/16-12
600090-12-16	3/4	1	47.63	46	60.2	1-1/16-12
600090-16-16	1	1	47.63	46	60.2	1-5/16-12
600090-20-16	1-1/4	1	47.63	46	60.2	1-5/8-12
600090-16-20	1	1-1/4	53.98	52.3	70.1	1-5/16-12
600090-20-20	1-1/4	1-1/4	53.98	52.3	70.1	1-5/8-12
600090-24-20	1-1/2	1-1/4	53.98	55.6	70.1	1-7/8-12
600090-20-24	1-1/4	1-1/2	63.5	59.2	80.0	1-5/8-12
600090-24-24	1-1/2	1-1/2	63.5	59.2	80.0	1-7/8-12
600090-32-24	2	1-1/2	63.5	77.7	108	2-1/2-12
600090-24-32	1-1/2	2	79.38	77.7	108	1-7/8-12
600090-32-32	2	2	79.38	77.7	108	2-1/2-12

the process quality of sannke parts are assured by **KEYENCE** and **Mitutoyo** 's inspection machine .

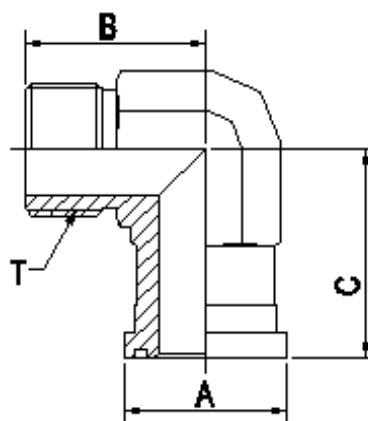
Sannke[®]



FLANGE

300092

600092



PART NUMBER	TUBE O.D.	FLANGE SIZE	A	C	B	T
CODE 61						
300092-12-12	3/4	3/4	38.1	54.1	42.2	1-3/16-12
300092-16-12	1	3/4	38.1	54.1	42.2	1-7/16-12
300092-12-16	3/4	1	44.45	60.2	46.0	1-3/16-12
300092-16-16	1	1	44.45	60.2	46.0	1-7/16-12
300092-20-16	1-1/4	1	44.45	60.2	46.0	1-11/16-12
300092-16-20	1	1-1/4	50.8	66.6	52.3	1-7/16-12
300092-20-20	1-1/4	1-1/4	50.8	66.6	52.3	1-11/16-12
300092-24-20	1-1/2	1-1/4	50.8	66.6	52.3	2-12
300092-20-24	1-1/4	1-1/2	60.3	80	59.2	1-11/16-12
300092-24-24	1-1/2	1-1/2	60.3	80	59.2	2-12
CODE 62						
600092-12-12	3/4	3/4	41.28	54.1	42.2	1-3/16-12
600092-16-12	1	3/4	41.28	54.1	42.2	1-7/16-12
600092-12-16	3/4	1	47.63	60.2	46.0	1-3/16-12
600092-16-16	1	1	47.63	60.2	46.0	1-7/16-12
600092-20-16	1-1/4	1	47.63	60.2	46.0	1-11/16-12
600092-16-20	1	1-1/4	53.98	70.1	52.3	1-7/16-12
600092-20-20	1-1/4	1-1/4	53.98	70.1	52.3	1-11/16-12
600092-24-20	1-1/2	1-1/4	53.98	70.1	52.3	2-12
600092-20-24	1-1/4	1-1/2	63.5	80	59.2	1-11/16-12
600092-24-24	1-1/2	1-1/2	63.5	80	59.2	2-12

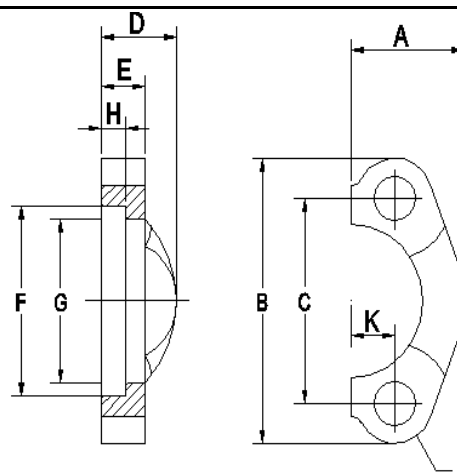
the process quality of sannke parts are assured by **KEYENCE** and **Mitutoyo**'s inspection machine .

Sannke[®]



FLANGE

30002
60002
SPLIT FLANGE



PART NUMBR	FLANGE SIZE	A	B	C	D	E	F	G	H	J	K
CODE 61 SPLIT FLANG											
30002-08	0.5	21.8	53.8	38.1	19.1	12.7	30.96	24.3	6.22	8.7	8.74
30002-12	0.75	24.9	65.0	47.63	22.4	14.2	38.89	32.1	6.22	10.3	11.13
30002-16	1.0	28.2	69.9	52.37	23.9	15.7	45.24	28.5	7.49	10.3	13.08
30002-20	1.25	35.3	79.2	58.72	22.4	14.2	51.59	43.7	7.49	11.9	15.09
30002-24	1.5	40.1	93.7	69.85	25.4	15.7	61.11	50.8	7.49	13.5	17.86
30002-32	2.0	47.2	101.7	77.77	26.2	15.7	72.24	62.7	9.02	13.5	21.44
30002-40	2.5	53.1	114.3	88.9	38.1	19.1	84.94	74.9	9.02	13.5	25.4
30002-48	3.0	64.3	134.9	106.38	41.1	22.4	102.39	90.9	9.02	16.7	30.96
30002-56	3.5	68.6	152.4	120.65	28.4	22.4	115.09	102.4	10.72	16.7	34.93
30002-64	4.0	74.9	162.1	130.18	35.1	25.4	127.79	115.1	10.72	16.7	38.89
CODE 62 SPLIT FLANG											
60002-08	0.5	22.6	56.4	40.49	22.4	15.7	32.54	24.6	7.24	8.7	9.12
60002-12	0.75	29	71.4	50.80	28.4	19.1	42.06	32.5	8.26	10.3	11.91
60002-16	1.0	33.8	81.0	57.15	33.3	23.9	48.41	38.9	9.02	11.9	13.89
60002-20	1.25	37.6	95.3	66.68	38.1	26.9	54.76	44.5	9.78	13.5	15.88
60002-24	1.5	46.5	112.8	79.38	42.9	30.2	64.29	51.6	12.07	16.7	18.26
60002-32	2.0	55.9	133.4	96.82	52.3	36.6	80.16	67.6	12.07	19.8	22.23

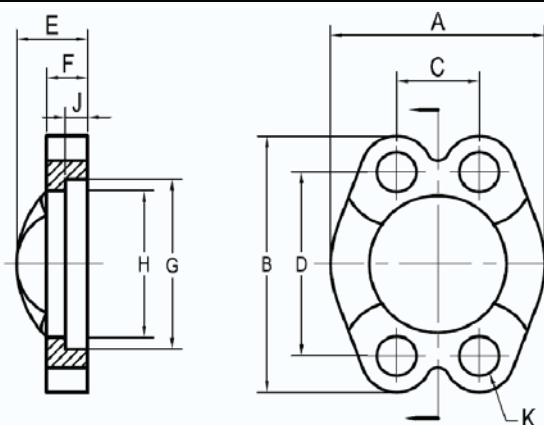
the process quality of sannke parts are assured by **KEYENCE** and **Mitutoyo** 's inspection machine .

Sannke[®]



FLANGE

30001
60001
UNSPLIT FLANGE



PART NUMBR	FLANGE SIZE	A	B	C	D	E	F	G	H	J	K
CODE 61 UNSPLIT FLANG											
30001-08	0.5	46	53.8	17.48	38.1	19.1	12.7	30.96	24.3	6.22	8.7
30001-12	0.75	52.3	65.0	22.23	47.63	22.4	14.2	39.89	32.1	6.22	10.3
30001-16	1.0	58.7	69.9	26.19	52.37	23.9	15.7	45.24	38.5	7.49	10.3
30001-20	1.25	73.2	79.2	30.18	58.72	22.4	14.2	51.59	43.7	7.49	11.9
30001-24	1.5	82.6	93.7	35.71	69.85	25.4	15.7	61.11	50.8	7.49	13.5
30001-32	2.0	96.8	101.6	42.88	77.77	26.2	15.7	72.24	62.7	9.02	13.5
30001-40	2.5	108.7	114.3	50.8	88.9	38.1	19.1	84.94	74.9	9.02	13.5
30001-48	3.0	131.1	134.9	61.93	106.38	41.1	22.4	102.39	90.9	9.02	16.7
30001-56	3.5	139.7	152.4	69.85	120.65	28.4	22.4	115.09	102.4	10.72	16.7
30001-64	4.0	152.4	162.1	77.77	130.18	35.1	25.4	127.79	115.1	10.72	16.7
CODE 62 UNSPLIT FLANG											
60001-08	0.5	47.2	56.4	18.24	40.49	22.4	15.7	32.54	24.6	7.24	8.7
60001-12	0.75	60.5	71.4	23.83	50.80	28.4	19.1	42.06	32.5	8.26	10.3
60001-16	1.0	69.9	81.0	27.79	57.15	33.3	23.9	48.41	38.9	9.02	11.9
60001-20	1.25	77.7	95.3	31.75	66.68	38.1	26.9	54.76	44.5	9.78	13.5
60001-24	1.5	95.3	112.8	36.53	79.38	42.9	30.2	64.29	51.6	12.07	16.7
60001-32	2.0	114.3	133.4	44.45	96.82	52.3	36.6	80.16	67.6	12.07	19.8

the process quality of sannke parts are assured by **KEYENCE** and **Mitutoyo**'s inspection machine.

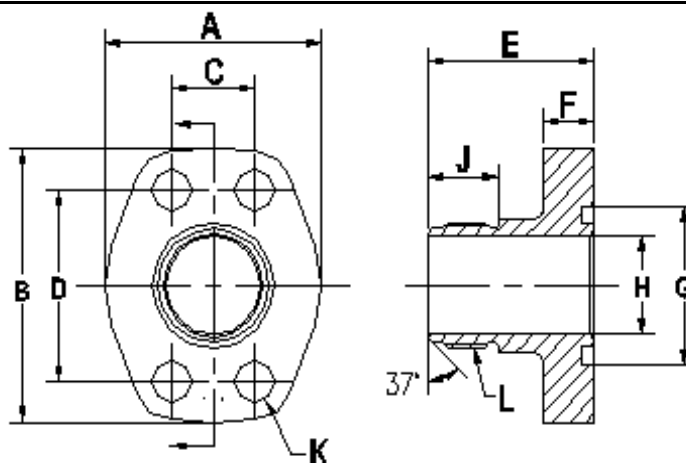
Sannke[®]



FLANGE

F300000

F600000



PART NUMBR	PAD SIZE	A	B	C	D	E	F	G	H	J	K	L,UN/UNF-2A
CODE 61 MALE JIC												
F300000-08-08	0.5	46.0	54.1	17.48	38.1	44.5	16.0	25.4	10.01	16.7	8.7	3/4-16
F300000-12-12	0.75	50.0	65.0	22.23	47.63	53.8	18.03	31.75	15.52	21.9	10.5	1-1/16-12
F300000-16-16	1.0	55.1	69.9	26.19	52.37	55.4	18.03	39.62	21.44	23.1	10.5	1-5-16-12
F300000-20-20	1.25	68.1	79.2	30.18	58.72	62.0	21.08	44.45	27.38	24.3	11.9	1-5/8-12
F300000-24-24	1.5	78.0	93.0	35.71	69.85	71.4	24.89	53.72	33.48	27.5	13.5	1-7/8-12
CODE 62 MALE JIC												
F600000-08-08	0.5	46.0	56.1	18.26	40.49	44.5	16.0	25.4	10.01	16.7	8.7	3/4-16
F600000-12-12	0.75	55.1	71.1	23.8	50.80	58.7	21.08	31.75	15.52	21.9	10.5	1-1/16-12
F600000-16-16	1.0	65.0	81.0	27.76	57.15	66.5	24.89	39.62	21.44	23.1	12.5	1-5/16-12
F600000-20-20	1.25	78.0	95.3	31.75	66.68	71.4	26.92	44.45	27.38	24.3	13.5	1-5/8-12
F600000-24-24	1.5	94.0	112	36.5	79.38	82.6	29.97	53.72	33.48	27.5	16.7	1-7/8-12

the process quality of sannke parts are assured by **KEYENCE** and **Mitutoyo**'s inspection machine .

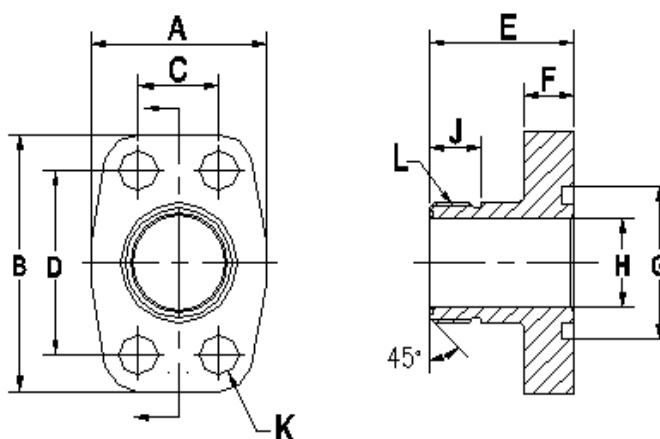
Sannke[®]



FLANGE

F300002

F600002



PART NUMBR	PAD SIZE	A	B	C	D	E	F	G	H	J	K	L,UN/UNF-2A
CODE 61 MALE ORFS												
F300002-08-08	0.5	46.0	54.1	17.48	38.1	44.5	16.0	25.4	10.01	16.7	8.7	13/16-16
F300002-12-12	0.75	50.0	65.0	22.23	47.63	50.8	18.03	31.75	15.52	21.9	10.5	1-3/16-12
F300002-16-16	1.0	55.1	69.9	26.19	52.37	50.8	18.03	39.62	20.6	23.1	10.5	1-7-16-12
F300002-20-20	1.25	68.1	79.2	30.18	58.72	57.2	21.08	44.45	26.01	24.3	11.9	1-11/16-12
F300002-24-24	1.5	78.1	93.0	35.71	69.85	63.5	24.89	53.72	32.0	27.5	13.5	2-12
CODE 62 MALE ORFS												
F600002-08-08	0.5	46.0	56.1	18.26	40.49	44.5	16.0	25.4	10.01	16.7	8.7	13/16-16
F600002-12-12	0.75	55.1	71.1	23.8	50.80	57.2	21.08	31.75	15.52	21.9	10.5	1-3/16-12
F600002-16-16	1.0	65.0	81.0	27.76	57.15	63.5	24.89	39.62	20.6	23.1	12.5	1-7/16-12
F600002-20-20	1.25	78.0	95.3	31.75	66.68	66.5	26.92	44.45	26.01	24.3	13.5	1-11/16-12
F600002-24-24	1.5	94.0	112	36.5	79.38	73.2	29.97	53.72	32.0	27.5	16.7	2-12

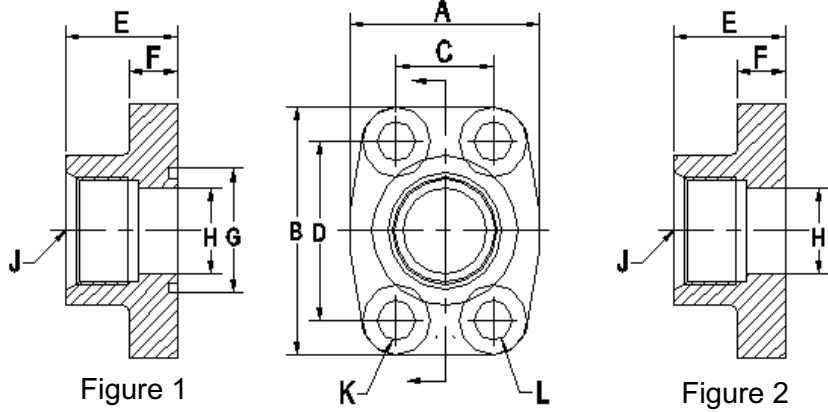
the process quality of sannke parts are assured by **KEYENCE** and **Mitutoyo** 's inspection machine .

Sannke[®]



FLANGE

W46 W106
W48 W49



PART NO O-RING FIG.1	PART NO FLATFACE FIG.2	PORT SIZE	PAD SIZE	A	B	C	D	E	F	G	H	J UN/ UNF-2B	K	L UNC-2B
CODE 61 SAE STRAIGHT THREAD														
W46-08-08	W106-08-08	0.5	0.5	46.0	54.1	17.48	38.1	36.1	16.0	25.4	12.75	3/4-16	8.7	5/16-18
W46-12-12	W106-12-12	0.75	0.75	50.0	65.0	22.23	47.63	36.1	18.03	31.75	19.10	1-1/16-12	10.3	3/8-16
W46-16-16	W106-08-10	1.0	1.0	55.1	69.9	26.19	52.37	38.1	18.03	39.62	25.45	1-5/16-12	10.3	3/8-16
W46-20-20	W106-08-11	1.25	1.25	68.1	79.2	30.18	58.72	40.9	21.08	44.45	31.80	1-5/8-12	11.9	7/16-14
W46-24-24	W106-08-12	1.5	1.5	78.0	93	35.71	69.85	45.0	24.89	53.72	38.15	1-7/8-12	13.5	1/2-13
W46-32-32	W106-08-13	2.0	2.0	89.9	101.6	42.88	77.77	45.0	24.89	63.25	50.85	2-1/2-12	13.5	1/2-13
CODE 62 SAE STRAIGHT THREAD														
W48-08-08	W49-08-08	0.5	0.5	46.0	56.1	18.24	40.49	36.1	16.0	25.4	12.75	3/4-16	8.7	5/16-18
W48-12-12	W49-12-12	0.75	0.75	55.1	71.1	23.80	50.8	35.1	21.08	31.75	19.10	1-1/16-12	10.3	3/8-16
W48-16-16	W49-16-16	1.0	1.0	65.0	81.0	27.76	57.15	41.9	24.89	39.62	25.45	1-5/16-12	12.5	7/16-14
W48-20-20	W49-20-20	1.25	1.25	78.0	95.3	31.75	66.68	45.0	26.92	44.45	31.80	1-5/8-12	13.5	1/2-13
W48-24-24	W49-24-24	1.5	1.5	94.0	112	36.5	79.38	50.0	29.97	53.72	38.15	1-7/8-12	16.7	5/8-11
W48-32-32	W49-32-32	2.0	2.0	114.3	134.1	44.45	96.82	65.0	37.08	63.25	50.85	2-1/2-12	19.8	3/4-10

the process quality of sannke parts are assured by **KEYENCE** and **Mitutoyo**'s inspection machine .

Sannke[®]



FLANGE

W36 W37
W38 W39

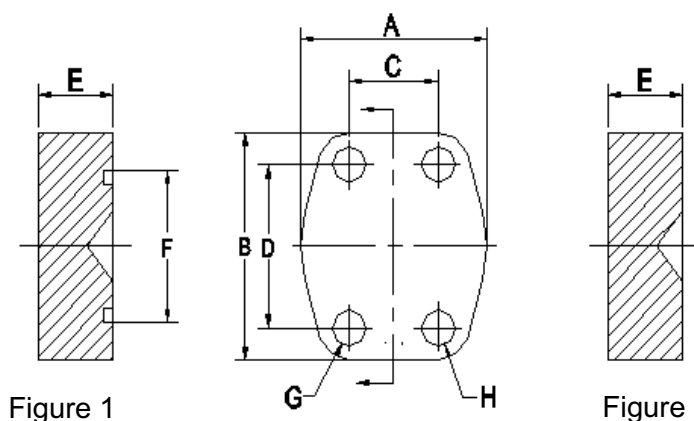


Figure 1

Figure 2

PART NO. O-RING FIG.1	PART NO FLAT FACE FIG.2	PAD SIZE	A	B	C	D	E	F	G	H UNC-2B
CODE 61 BLANKING										
W36-08-08	W37-08-08	0.5	46.1	54.0	17.48	38.1	19.05	25.4	8.7	5/16-18
W36-12-12	W37-12-12	0.75	52.4	65.1	22.23	47.63	19.05	31.75	10.3	3/8-16
W36-16-16	W37-16-16	1.0	58.8	69.9	26.19	52.4	22.35	39.62	10.3	3/8-16
W36-20-20	W37-20-20	1.25	73.0	79.4	30.18	58.75	23.88	44.45	11.9	7/16-14
W36-24-24	W37-24-24	1.5	82.6	93.7	35.71	69.85	30.23	53.72	13.5	1/2-13
W36-32-32	W37-32-32	2.0	96.9	101.6	42.88	77.8	36.58	63.25	13.5	1/2-13
W36-40-40	W37-40-40	2.5	108.7	114.3	50.8	88.9	46.23	76.07	13.5	1/2-13
W36-48-48	W37-48-48	3.0	131.0	135.0	61.93	106.38	55.63	91.82	16.7	5/8-11
W36-56-56	W37-56-56	3.5	139.7	152.4	69.85	130.65	36.58	104.01	16.7	5/8-11
W36-64-64	W37-64-64	4.0	152.4	162.1	77.77	130.18	36.58	116.71	16.7	5/8-11
CODE 62 BLANKING										
W38-08-08	W39-08-08	0.5	49.3	58.4	18.24	40.49	31.75	25.4	8.7	5/16-18
W38-12-12	W39-12-12	0.75	63.5	74.9	23.8	50.8	31.75	31.75	10.3	3/8-16
W38-16-16	W39-16-16	1.0	69.9	81.0	27.76	57.15	38.10	39.62	12.5	7/16-14
W38-20-20	W39-20-20	1.25	77.7	95.3	31.75	66.68	36.32	44.45	13.5	1/2-13
W38-24-24	W39-24-24	1.5	95.3	112.8	36.5	79.38	46.23	53.72	16.7	5/8-11
W38-32-32	W39-32-32	2.0	114.3	133.4	44.45	96.82	46.23	63.25	19.8	3/4-10
W38-40-40	W39-40-40	2.5	149.1	174.5	58.72	123.8	49.02	76.07	23.0	7/8-9
W38-48-48	W39-48-48	3.0	177.8	215.9	71.42	152.4	68.33	91.82	30.2	1-1/8-7

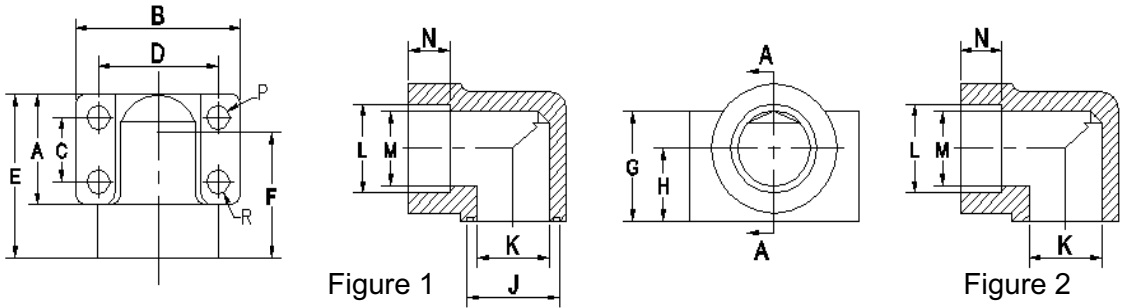
the process quality of sannke parts are assured by **KEYENCE** and **Mitutoyo**'s inspection machine.

Sannke[®]

TÜVRheinland[®]
ISO9001:2015

FLANGE

W186 W189
W182 W187



PART NO. O-RING FIG.1	PART NO. FLAT FACE FIG.2	PAD SIZE	A	B	C	D	E	F	G	H	J	K	L	M	N	P	R UNC- 2B
CODE 62 ELBOW SOCKET WELD-PIPE																	
W186-12-12	W189-12-12	0.75	49.3	69.9	23.80	50.80	66.6	42.2	38.1	27.0	31.75	19.10	26.97	19.1	14.22	10.3	3/8-16
W186-16-16	W189-16-16	1.0	55.6	79.2	27.76	57.15	76.2	48.5	46	30.2	39.62	25.45	33.73	25.4	15.75	12.5	7/16-14
W186-20-20	W189-20-20	1.25	65.0	93.7	31.75	66.68	84.3	52.1	50.8	33.3	44.45	31.8	42.47	31.8	17.53	13.5	1/2-13
W186-24-24	W189-24-24	1.5	77.7	110	36.5	79.38	96.8	57.9	63.5	42.1	53.72	38.15	48.82	38.1	19.05	16.7	5/8-11
CODE 62 ELBOW SOCKET WELD-TUBE																	
W182-12-12	W187-12-12	0.75	49.3	69.9	23.8	50.80	66.5	42.2	38.1	27.0	31.75	19.10	19.1	15.9	14.22	10.3	3/8-16
W182-16-12	W187-16-12	0.75	49.3	69.9	23.8	50.80	66.5	42.2	38.1	27.0	31.75	19.10	25.45	19.1	15.75	10.3	3/8-16
W182-16-16	W187-16-16	1.0	55.6	79.2	27.76	57.15	76.2	48.5	46	30.2	39.62	25.45	25.45	22.2	15.75	12.5	7/16-14
W182-20-16	W187-20-16	1.0	55.6	79.2	27.76	57.15	76.2	48.5	46	30.2	39.62	25.45	31.8	25.4	17.53	12.5	7/16-14
W182-20-20	W187-20-20	1.25	65.0	93.7	31.75	66.68	84.3	52.1	50.8	33.3	44.45	31.8	31.8	29.6	17.53	13.5	1/2-13
W182-24-20	W187-24-20	1.25	65.0	93.7	31.75	66.68	84.3	52.1	50.8	33.3	44.45	31.8	38.15	31.8	19.05	13.5	1/2-13
W182-24-24	W187-24-24	1.5	77.7	110	36.5	79.38	96.8	57.9	63.5	42.1	53.72	38.15	38.15	34.9	19.05	16.7	5/8-11
W182-28-24	W187-28-24	1.5	77.7	110	36.5	79.38	96.8	57.9	63.5	42.1	53.72	38.15	44.45	38.1	19.05	16.7	5/8-11

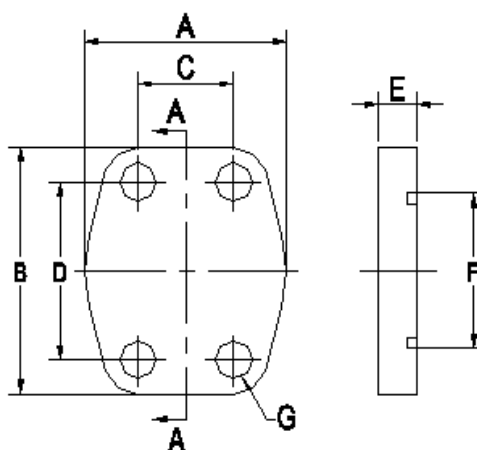
the process quality of sannke parts are assured by **KEYENCE** and **Mitutoyo** 's inspection machine .

Sannke[®]



FLANGE

SP
SPX



PART NO.	PAD SIZE	A	B	C	D	E	F	G
CODE 61 SHIPPING PLATE								
SP-08	0.5	46.0	53.8	17.48	38.10	8.38	25.4	8.70
SP-12	0.75	52.3	65.0	22.23	47.63	8.38	31.75	10.5
SP-16	1.0	58.7	69.9	26.19	52.40	8.38	39.62	10.5
SP-20	1.125	73.2	79.2	30.18	58.75	8.38	44.45	11.9
SP-24	1.5	82.6	93.7	35.71	69.85	8.38	53.72	13.5
SP-32	2.0	96.8	101.6	42.88	77.80	8.38	63.25	13.5
SP-40	2.5	108.7	114.3	50.80	88.90	8.38	76.07	13.5
SP-48	3.0	131.1	134.9	61.93	106.38	8.38	91.82	16.7
CODE 62 SHIPPING PLATE								
SPX-08	0.5	49.3	55.6	18.24	40.39	8.38	25.4	9.0
SPX-12	0.75	63.5	71.4	23.8	50.80	8.38	31.75	11.0
SPX-16	1.0	69.9	81.0	27.76	57.15	8.38	39.62	13.5
SPX-20	1.25	77.7	95.3	31.75	66.68	8.38	44.45	15.5
SPX-24	1.5	95.3	112.8	36.5	79.38	8.38	53.72	17.5
SPX-32	2.0	114.3	133.4	44.45	96.82	8.38	63.25	22.0

the process quality of sannke parts are assured by **KEYENCE** and **Mitutoyo** 's inspection machine .

Sannke[®]



FLANGE

W27
W25

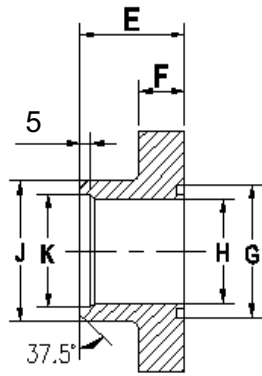


Figure 1

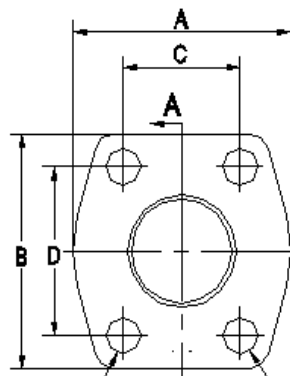


Fig1

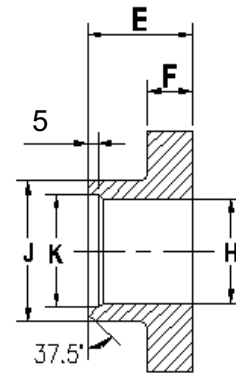


Figure 2

PART NO ORING FIG.1	PART NO FLAT FACE FIG.2	PIPE SIZE	PAD SIZE	A	B	C	D	E	F	G	H	J	K	L	M UNC-2B
W27-8	W25-8	0.5	0.5	46.0	54.1	17.48	38.1	36.1	16.0	25.4	11.8	21.3	SCHEDULE 40 ONLY	8.7	5/16-18
W27-12	W25-12	0.75	0.75	50.0	65.0	22.23	47.63	36.1	18.03	31.75	15.6	26.7		10.3	3/8-16
W27-16	W25-16	1.0	1.0	55.1	69.9	26.19	52.45	38.1	18.03	39.62	20.8	33.4		10.3	3/8-16
W27-20	W25-20	1.25	1.25	68.1	79.2	30.18	54.15	40.9	21.08	44.45	29.5	42.2		11.9	7/16-14
W27-24	W25-24	1.5	1.5	78.0	93.0	35.71	69.85	43.9	24.89	53.72	34.0	48.3		13.5	1/2-13
W27-32	W25-32	2.0	2.0	89.9	101.6	42.88	77.77	45.0	24.89	63.25	42.9	60.3		13.5	1/2-13
W27-40	W25-40	2.5	2.5	103.9	114.0	50.8	88.9	50.0	24.89	76.07	54.0	73.0		13.5	1/2-13
W27-48	W25-48	3.0	3.0	124.0	134.1	61.93	106.38	50.0	26.92	91.82	66.7	88.9		16.7	5/8-11

the process quality of sannke parts are assured by **KEYENCE** and **Mitutoyo** 's inspection machine .

FLANGE

W164 W165
W168 W170

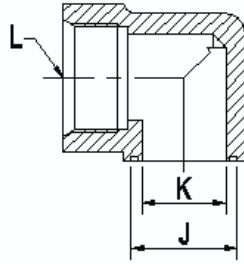
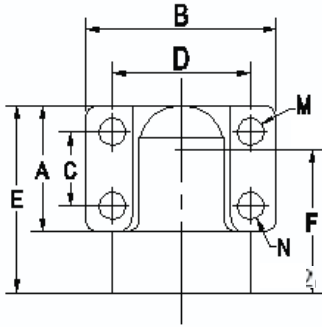


Figure 1

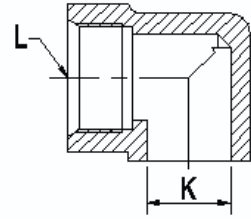
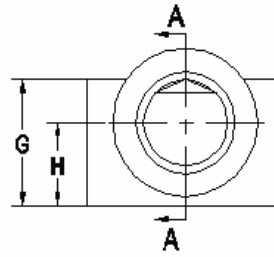


Figure 2

CODE 61 ELBOW SAE STRAIGHT THREAD

PART NO. ORING FIG.1	PART NO. ORING FIG.2	PIPE SIZE	A	B	C	D	E	F	G	H	J	K	L UN- 2B	M	N UNC- 2B
W164-12-12	W165-12-12	0.75	47.9	65.0	22.23	47.63	57.9	36.6	31.8	22.2	31.75	19.10	1-1/16-12	10.3	3/8-16
W164-16-16	W165-16-16	1.0	49.3	69.9	26.19	52.37	66.5	42.2	38.1	27.0	39.62	25.45	1-5/16-12	10.3	3/8-16
W164-20-20	W165-20-20	1.25	55.6	79.2	30.18	58.72	76.2	48.5	46.0	30.2	44.45	31.80	1-5/8-12	11.9	7/16-14
W164-24-24	W165-24-24	1.5	65.0	93.7	35.71	69.85	89.6	52.1	50.8	33.3	53.72	38.15	1-7/8-12	13.5	1/2-13
W164-32-32	W165-32-32	2.0	77.7	110	42.88	77.77	96.8	57.9	63.5	42.1	37.85	50.85	2-1/2-12	13.5	1/2-13

CODE 61 ELBOW NPTF THREAD

PART NO. ORING FIG.1	PART NO. ORING FIG.2	PIPE SIZE	A	B	C	D	E	F	G	H	J	K	L NPTF	M	N UNC- 2B
W168-12-12	W170-12-12	0.75	42.9	65.0	22.23	47.63	57.9	36.6	31.8	22.2	31.75	19.10	3/4-14	10.3	3/8-16
W168-16-16	W170-16-16	1.0	49.3	69.9	26.19	52.37	66.5	42.2	38.1	27.0	39.62	25.45	1-11-1/2	10.3	3/8-16
W168-20-20	W170-20-20	1.25	55.6	79.2	30.18	58.72	76.2	48.5	46.0	30.2	44.45	31.8	1-1/4-11-1/2	11.9	7/16-14
W168-24-24	W170-24-24	1.5	65.0	93.7	35.71	69.85	84.6	52.1	50.8	33.3	53.72	38.15	1-1/2-11-1/2	13.5	1/2-13
W168-32-32	W170-12-16	2.0	77.7	110	42.88	77.77	96.8	57.9	63.5	42.1	63.25	50.85	2-11-1/2	13.5	1/2-13

the process quality of sannke parts are assured by **KEYENCE** and **Mitutoyo**'s inspection machine.

Sannke[®]



FLANGE

W184 W185

W188 W180

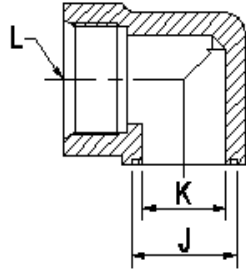
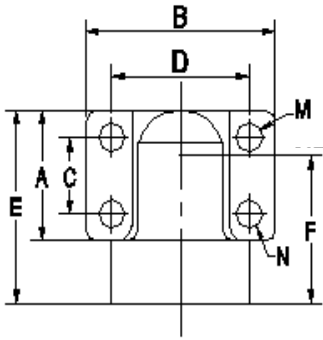


Figure 1

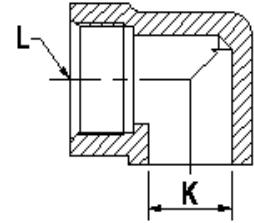
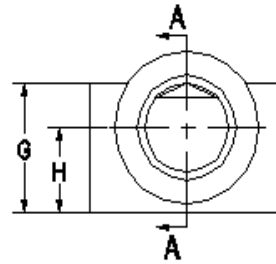


Figure 2

CODE 62 ELBOW SAE STRAIGHT THREAD

PART NO. ORING FIG.1	PART NO. ORING FIG.2	PIPE SIZE	A	B	C	D	E	F	G	H	J	K	L UN- 2B	M	N UNC- 2B
W184-12-12	W185-12-12	0.75	49.3	69.9	23.80	50.8	66.5	42.2	38.1	27.0	31.75	19.10	1-1/16-12	10.3	3/8-16
W184-16-16	W185-16-16	1.0	55.6	79.2	27.76	27.76	76.2	48.5	46	30.2	39.62	25.45	1-5/16-12	12.5	7/16-14
W184-20-20	W185-20-20	1.25	65.0	93.7	31.75	31.75	84.3	52.1	50.8	33.3	44.45	31.8	1-5/8-12	13.5	1/2-13
W184-24-24	W185-24-24	1.5	77.7	110.0	36.50	36.5	96.8	57.9	63.5	42.1	53.72	38.15	1-7/8-12	16.7	5/8-11

CODE 62 ELBOW NPTF THREAD

PART NO. ORING FIG.1	PART NO. ORING FIG.2	PIPE SIZE	A	B	C	D	E	F	G	H	J	K	L NPTF	M	N UNC- 2B
W188-12-12	W180-12-12	0.75	49.3	69.9	23.80	50.80	66.5	42.2	38.1	27.0	31.75	19.10	3/4-14	10.3	3/8-16
W188-16-16	W180-16-16	1.0	55.6	79.2	27.76	57.15	76.2	48.5	46.0	30.2	39.62	25.45	1-11-1/2	12.5	7/16-14
W188-20-20	W180-20-20	1.25	65.0	93.7	31.75	66.68	84.3	52.1	50.8	33.3	44.45	31.8	1-1/4-11-1/2	13.5	1/2-13
W188-24-24	W180-24-24	1.5	77.7	110	36.50	79.38	96.8	57.9	63.5	42.1	53.72	38.15	1-1/2-11-1/2	16.7	5/8-11

the process quality of sannke parts are assured by **KEYENCE** and **Mitutoyo**'s inspection machine .

Sannke[®]

TÜVRheinland[®]
ISO9001:2015

FLANGE

W176 W169
W172 W177

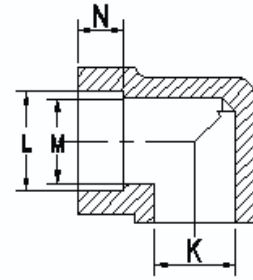
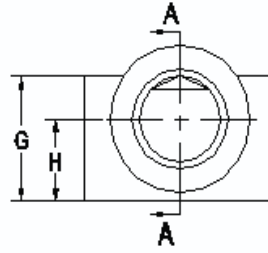
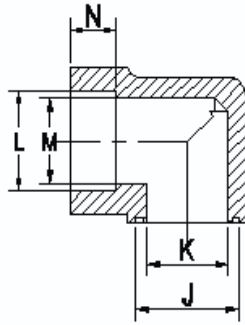
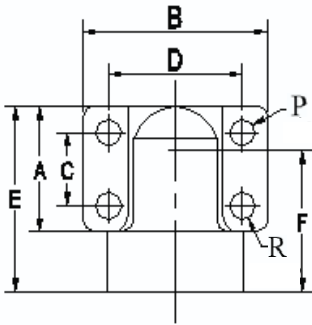


Figure 1

Figure 2

PART NO. ORING FIG.1	PART NO. FLAT FACE FIG.2	PAD SIZE	A	B	C	D	E	F	G	H	J	K	L	M	N	P	R UNC- 2B
CODE 61 ELBOW SOCKET WELD																	
W176-12-12	W169-12-12	0.75	42.9	65.0	22.23	47.63	57.9	36.6	31.8	22.2	31.75	19.10	26.97	19.1	14.22	10.3	3/8-16
W176-16-16	W169-16-16	1.0	49.3	69.9	26.19	52.37	66.5	42.2	38.1	27.0	39.62	25.45	33.73	25.4	14.22	10.3	3/8-16
W176-20-20	W169-20-20	1.25	55.6	79.2	30.18	58.72	76.2	48.5	46.0	30.2	44.45	31.8	42.47	31.8	15.75	11.9	7/16-14
W176-24-24	W169-24-24	1.5	65.0	93.7	35.71	69.85	84.6	52.1	50.8	33.3	53.72	38.15	48.82	38.1	17.53	13.5	1/2-13
W176-32-32	W169-24-24	2.0	77.7	110	42.88	77.77	96.8	57.9	63.5	42.1	63.25	50.85	61.11	50.8	19.06	13.5	1/2-13
CODE 61 ELBOW SOCKET WELD																	
W172-12-12	W177-12-12	0.75	42.9	65.0	22.23	47.63	57.9	36.6	31.8	22.2	31.75	19.10	19.10	15.9	7.92	10.3	3/8-16
W172-16-12	W177-16-12	0.75	42.9	65.0	22.23	47.63	57.9	36.6	31.8	22.2	31.75	19.10	25.45	19.1	11.13	10.3	3/8-16
W172-16-16	W177-16-16	1.0	49.3	69.9	26.19	52.37	66.5	42.2	38.1	27.0	39.62	25.45	25.45	22.2	11.13	10.3	3/8-16
W186-20-16	W177-20-16	1.0	49.3	69.9	26.19	52.37	66.5	42.2	38.1	27.0	39.62	25.45	31.8	25.4	12.7	10.3	3/8-16
W186-20-20	W177-20-20	1.25	55.6	79.2	30.18	58.72	76.2	48.5	46.0	30.2	44.45	31.8	31.8	28.6	12.7	11.9	7/16-14
W186-24-20	W177-24-20	1.25	55.6	79.2	30.18	58.72	76.2	48.5	46.0	30.2	44.45	31.8	38.15	31.8	14.27	11.9	7/16-14
W186-24-24	W177-24-24	1.5	65.0	93.7	35.71	69.85	84.6	52.1	50.8	33.3	53.72	38.15	38.15	34.9	14.27	13.5	1/2-13
W186-28-24	W177-28-24	1.5	65.0	93.7	35.71	69.85	84.6	52.1	50.8	33.3	53.72	38.15	44.45	38.1	14.27	13.5	1/2-13
W186-32-32	W177-32-32	2.0	77.7	110	42.88	77.77	96.8	57.9	63.5	42.1	63.25	50.85	50.85	47.6	15.88	13.5	1/2-13
W186-36-32	W177-36-32	2.0	77.7	110	42.88	77.77	96.8	57.9	63.5	42.1	63.25	50.85	57.2	50.8	15.88	13.5	1/2-13

the process quality of sannke parts are assured by **KEYENCE** and **Mitutoyo** 's inspection machine .



Sannke Structure
公司构架

宁波国际部
Ningbo International Department
宁波三七市镇主体工厂
Central Factory in Sanqishi Town, Ningbo
舟山堵头工厂
Zhoushan Plug Factory



Web: www.sannke.com

Sannke[®]